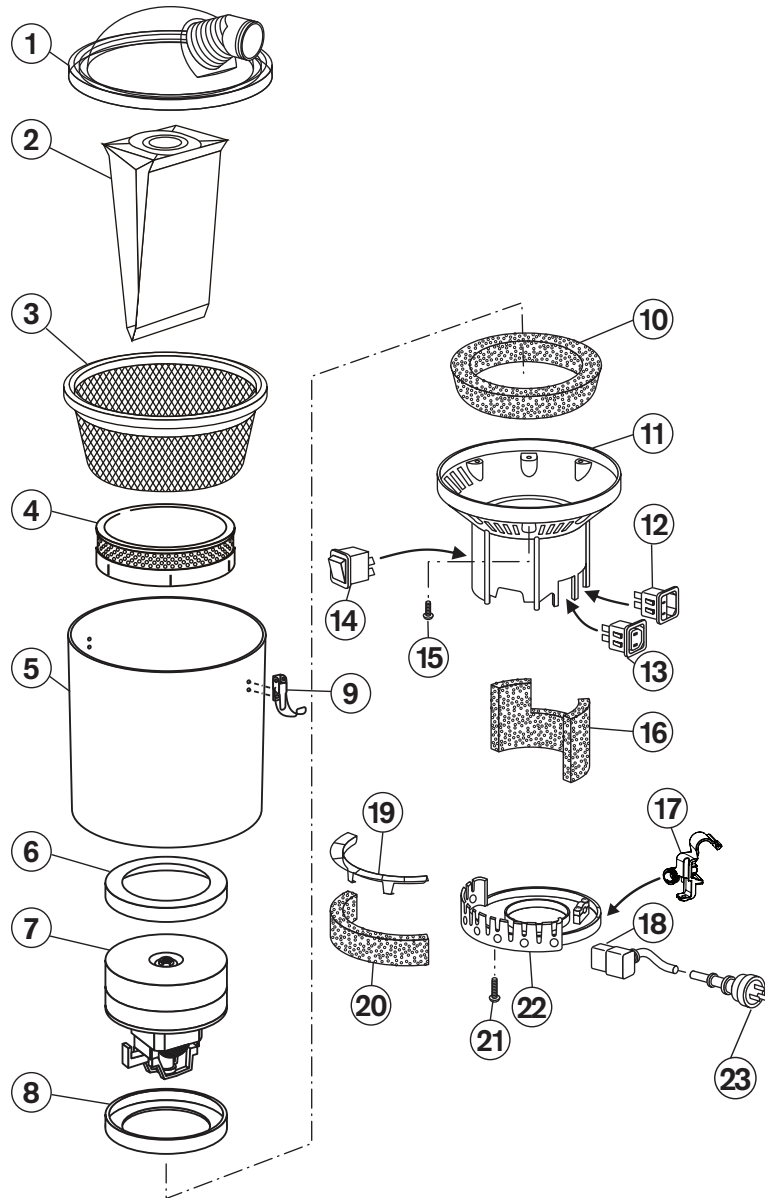


Superpro micron700 Parts Profile

Product Number: 201108-005A



Quote these part numbers when ordering spare parts

| No. | Part Name | Part No. |
|-----|--|------------|
| 1. | Dome lid | KC251 |
| 2. | Micron paper bag (Packet of 5) | KC287 |
| 3. | Dust bag flat bottom | PV502 |
| 4. | Micron HEPA filter | KC288 |
| 5. | Main vacuum canister | KC252M |
| 6. | Motor gasket | KC253 |
| 7. | Motor 240V 1000W 2 stage flow through | UP118 |
| 8. | Motor gasket | KC253 |
| 9. | Toggle latch | KC131 |
| 10. | Intermediate noise insulation | PV254 |
| 11. | Intermediate housing IEC | KC256IEC |
| 12. | Power inlet C14 | KC257IEC3 |
| 13. | Power outlet C18 | KC257 |
| 14. | Switch rocker 12A 250V 5E4 | VS261 |
| 15. | Screw pan plastite 5x20 | N/A |
| 16. | Noise insulation motor | PV255 |
| 17. | Short lead holder | KC262H |
| 18. | Short lead IEC type 420mm 10A 3c 1mm ² (AU, NZ) | KC109IEC |
| 19. | Motor filter cage | KC264 |
| 20. | External motor filter | PV259 |
| 21. | Screw ST 6x25 | N/A |
| 22. | Bottom cap | KC258 |
| 23. | Extension cord 18m 10A 3c 1mm ² (AU, NZ) | KC11118 |
| | Power Cord: | |
| | UK 18m 10A 3c 1mm ² C13 (UK, SG, IN, AE) | KC108UKIEC |
| | EU 18m 10A 3c 1mm ² C13 (EU) | KC108EUIEC |

Specifications

Volts / Frequency: 220-240V~50Hz
 Motor: 240V 1000W 2 Stage Flow Through
 Noise Level: 65dB(A) ± 3dB(A) (at 1.5m)
 Filtration: 4 stage, 99.99% efficiency at 0.3 micron
 Airflow Volume: 38 litres per sec
 Tank: Capacity: 5 litres
 Weight: 5.0kgs (excluding power cord and hose)

Technical specifications, part numbers and parts profiles are subject to change without notice.