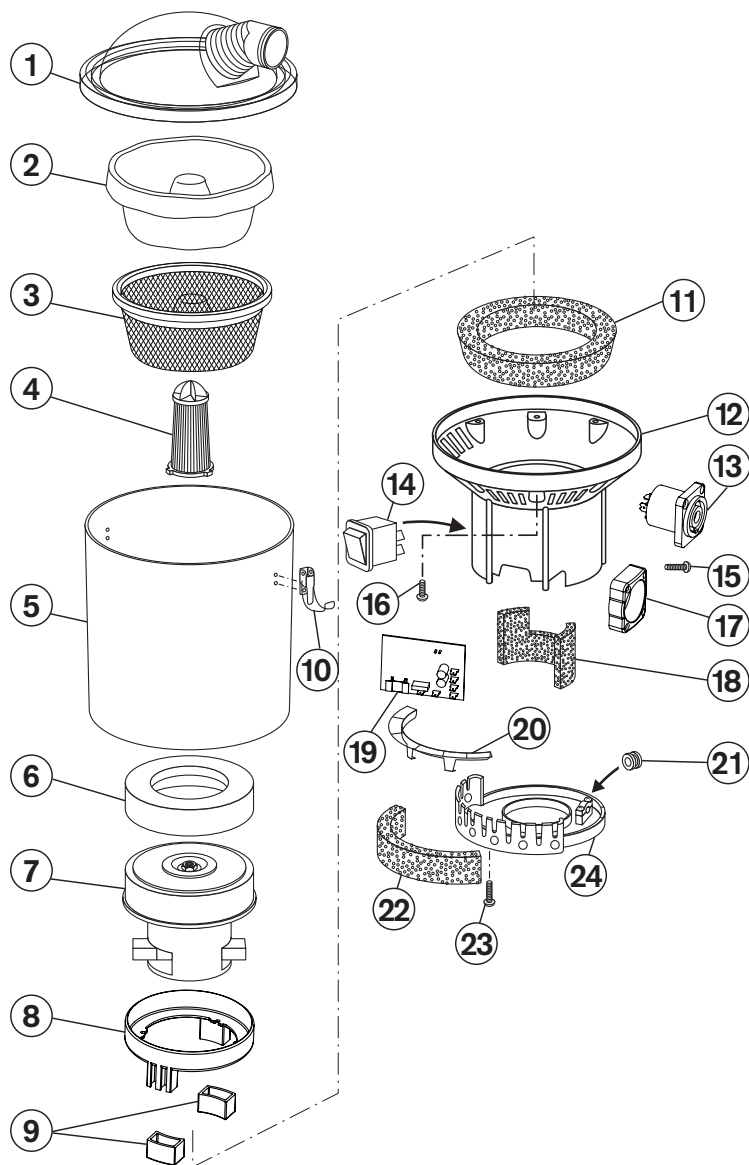


Superpro battery700 Parts Profile

Product Number: 201303-001A



Quote these part numbers when ordering spare parts.

No.	Part Name	Part No.
1.	Dome lid	KC251
2.	Hypercone paper bag (Packet of 5)	AF101
3.	Hypercone dust bag	KC502HC
4.	Hypercone HEPA filter	KC270
5.	Main vacuum canister	KC252B
6.	Motor gasket (foam)	KC253B
7.	Motor 400W 24V DC single stage flow through	UP119
8.	UDS Motor spacer	PV276
9.	UDS Clamping boot	PV277
10.	Toggle latch	KC131
11.	Intermediate noise insulation	PV254
12.	Intermediate housing	KC256B
13.	Power Socket	KC430
14.	Switch	VS261
15.	Screw 3x12 countersunk (plastite)	N/A
16.	Screw 5x20 (plastite)	PV298
17.	Connector Spacer	KC410
18.	Noise insulation (motor)	PV255
19.	PCB board	KC400
20.	Motor filter cage	KC264
21.	Hole plug	KC262P
22.	External motor filter	PV259
23.	Screw 6x25	N/A
24.	Bottom cap	KC258

Specifications

Volts / Frequency: 24V DC
 Motor: 400W 24V DC single stage flow through
 Noise Level: 62.5dB(A) ± 3dB(A) (at 1.5m)
 Filtration: 4 stage
 Airflow Volume: 29 litres per sec
 Tank Capacity: 5 litres
 Weight: 6.1kgs (with battery pack, excluding hose)
 Vibration Level: <2.5m/s²

Technical specifications, part numbers and parts profiles are subject to change without notice.