

ATTIX 40-0M PC TYPE 22

Instructions for use



Contents

| | | | |
|----------|--------------------------------------|---|----|
| 1 | Important safety instructions | | 2 |
| 2 | Description | 2.1 Operating elements | 7 |
| | | 2.2 Operating panel..... | 7 |
| 3 | Before starting the cleaner | 3.1 Assembling the vacuum cleaner | 8 |
| | | 3.1.1 Taking accessories out of the packaging ¹⁾ | 8 |
| | | 3.1.2 Attaching the suction pipe holder to the suction pipe ²⁾ | 8 |
| | | 3.2 Before starting the cleaner | 8 |
| | | 3.3 Insert the disposal bag | 9 |
| | | 3.4 Inserting the filter bag..... | 10 |
| 4 | Control / Operation | 4.1 Connections | 11 |
| | | 4.1.1 Connecting the suction hose | 11 |
| | | 4.1.2 Electrical connection | 11 |
| | | 4.2 Switching on the vacuum cleaner..... | 11 |
| | | 4.4 Check the volume flow monitor | 12 |
| | | 4.5 Acoustic warning | 12 |
| | | 4.3 Cleaning the filter element " Push&Clean System " | 12 |
| 5 | Applications and methods | 5.1 Techniques | 13 |
| | | 5.1.1 Picking up dry substances..... | 13 |
| | | 5.1.2 Picking up liquids..... | 13 |
| 6 | After using the cleaner | 6.1 Switching the vacuum cleaner off and storage..... | 14 |
| 7 | Maintenance | 7.1 Maintenance plan | 15 |
| | | 7.2 Maintenance work | 15 |
| | | 7.2.1 Emptying the dirt tank..... | 15 |
| | | 7.2.2 Replacing the disposal bag | 16 |
| | | 7.2.3 Replacing the filter bag..... | 17 |
| | | 7.2.4 Replacing filter element (Push & Clean System) | 18 |
| | | 7.2.5 Replacing the motor cooling filter | 19 |
| 8 | Troubleshooting | | 20 |
| 9 | Further information | 9.1 Recycling the cleaner | 21 |
| | | 9.2 Guarantee | 21 |
| | | 9.3 Tests and approvals | 21 |
| | | 9.4 EC declaration of conformity | 21 |
| | | 9.5 Technical data | 22 |
| | | 9.6 Optional accessories | 22 |

GB

DE

FR

NL

IT

NO

SV

DA

FI

ES

PT

EL

TR

SL

HR

SK

CS

PL

HU

RO

BG

RU

ET

LV

LT

ZH

KO

¹⁾ OEL values = Occupational Exposure Limit

²⁾ Optional accessories / Option depending on model
Original instruction

1 Important safety instructions

GB

DE

FR

NL

IT

NO

SV

DA

FI

ES

PT

EL

TR

SL

HR

SK

CS

PL

HU

RO

BG

RU

ET

LV

LT




ZH

KO

Symbols used to mark instructions



Prior to using the appliance for the first time, be sure to read this document through and keep it ready to hand.

| | |
|---|--|
|  | DANGER |
| | Danger that leads directly to serious or irreversible injuries, or even death. |
|  | WARNING |
| | Danger that can lead to serious injuries or even death. |
|  | CAUTION |
| | Danger that can lead to minor injuries and damage. |

The appliance must

- only be used by persons, who have been instructed in its correct usage and explicitly commissioned with the task of operating it
- only be operated under supervision
- not be used by children
- not be used by mentally or physically disabled persons

Before starting work, the operating staff must be informed on and trained within:

- use of the vacuum cleaner
- risks associated with the material to be picked up
- safe disposal of the picked up material

1. Do not use any unsafe work techniques.
2. Never use the vacuum cleaner without a filter.
3. Switch off the appliance and disconnect the mains plug in the following situations:
 - Prior to cleaning and servicing
 - Prior to replacing components
 - Prior to changing over the appliance
 - If foam develops or liquid emerges

Besides the operating instructions and the binding accident prevention regulations valid in the country of use, observe recognised regulations for safety and proper use.

Purpose and intended use

Since 1997, there is a new division of hazardous dusts and their assigned vacuum machines. These are regulated by IEC 60335-2-69 (world wide) and by EN 60335-2-69 (European wide).



Dust Class M (medium). The dusts which belong to this class are: dusts with OEL values¹⁾ $\geq 0.1 \text{ mg/m}^3$ as well as saw dust. The machine is tested in its entirety by vacuums for this dust class. The maximum degree of permeability is 0.1% and the disposal must be low dust.



Machines to be used in Zone 22 are marked as Type 22 vacuums.

- These machines may be used for picking up dust from dust class L, M or H.

- Zone 22 is defined as environments where flammable dusts are present for short periods only (e.g. less than 10 hours per year).
- Type 22 machines are suitable for use as dust extractors.

The air flow in Safety Vacuum systems has to be strictly controlled to achieve a minimum flow rate of $V_{\min} = 20$ m/s in the suction hose.

The vacuum cleaner ATTIX 40-0M PC TYPE 22 is suitable for picking up:

- Non flammable liquids (flashpoint 55 °C or higher)
- Sawdust and dusts hazardous to health, including dusts with OEL values ≥ 0.1 mg/m³
- Flammable, dry dust in Zone 22

Use the cleaner only if it is certain that no active sources of ignition can be sucked in.

Conductive extraction equipment, e.g. extraction hoods on machines and conductive parts of machining equipment (e.g. equipment in protective class II) that are not earthed through the cleaner, must be earthed in some other way to prevent electrostatic charges.

When picking up flammable dust in Zone 22, the dirt tank must be emptied as required, but always after use.

It must be assured that dust not accumulate on the appliance by regular cleaning.

The vacuum cleaner must be used only, if all filters, as well as the filter for the motor cooling air, are attached and without damage.

The cleaner is not suitable for extraction on machining equipment in operation that could produce sources of ignition.

When dust removers are used, the rate at which air is exchanged in the room must be adequate if the exhaust air from the vacuum cleaner is blown into the room (please observe regulations valid in your country).

The appliance is suitable for commercial use, such as e.g. in

- Hotels, Schools, Hospitals, Factories, Shops, Offices, Hire shops

Any other use is considered as improper use. The manufacturer accepts no liability for any damage resulting from such use. The risk for such use is borne solely by the user.

Proper use also includes proper operation, servicing and repairs as specified by the manufacturer.

Transport

1. Before transporting the dirt tank, close all the locks.
2. Do not tilt the cleaner if there is liquid in the dirt tank.
3. Do not use a crane hook to lift the cleaner.

Storage

1. Store the appliance in a dry place, protected from frost.

GB

DE

FR

NL

IT

NO

SV

DA

FI

ES

PT

EL

TR

SL

HR

SK

CS

PL

HU

RO

BG

RU

ET

LV

LT

ZH

KO

¹⁾ OEL values = Occupational Exposure Limit

*) Optional accessories / Option depending on model
Original instruction

GB

Electrical connection

1. It is recommended that the vacuum cleaner should be connected via a residual current circuit breaker.
2. When picking up flammable dust in zone 22, extension lines, couplings and adapters must not be used.
3. Arrange the electrical parts (sockets, plugs and couplings) and lay down the extension lead so that the protection class is maintained.
4. Connectors and couplings of power supply cords and extension leads must be watertight.

DE

FR

NL

IT

Extension lead

1. As an extension lead, only use the version specified by the manufacturer or one of a higher quality. See operating instructions.
2. When using an extension lead, check the minimum cross-sections of the cable:

| Cable length | Cross section | |
|--------------|---------------------|---------------------|
| | < 16 A | < 25 A |
| up to 20 m | 1.5 mm ² | 2.5 mm ² |
| 20 to 50 m | 2.5 mm ² | 4.0 mm ² |

DA

FI

Maintenance, cleaning and repair

During the following work, ensure that dust is not unnecessarily spread around. Wear a P2 breathing mask.

Only carry out maintenance work described in the operating instructions.

Always pull out the mains plug before cleaning and maintenance of the vacuum cleaner.

During maintenance and cleaning, handle the vacuum cleaner in such a manner that there is no danger for maintenance staff or other persons.

In the maintenance area

1. Use filtered compulsory ventilation
2. Wear protective clothing
3. Clean the maintenance area so that no harmful substances get into the surroundings.

Before removing the vacuum cleaner from the area contaminated with harmful substances:

1. Clean the outside of the vacuum cleaner, wipe it clean or pack the vacuum cleaner in well sealed packaging
2. and avoid spreading deposited harmful dust.

During maintenance and repair work all contaminated parts that could not be cleaned satisfactorily must be:

1. packed in well sealed bags
2. disposed of in a manner that complies with valid regulations for such waste removal.

A dust test must be performed at least once every year by Nilfisk service or a trained person. This test includes, for example, whether there is damage to the filter, the vacuum cleaner is sealed to the air and the control equipment works properly.

ES

PT

EL

TR

SL

HR

SK

CS

PL

HU

RO

BG

RU

ET

LV


LT


ZH


KO

Risks


Electrical components

| DANGER | |
|---|---|
|  | <p>Electric shock due to faulty mains connecting lead.</p> <p>Touching a faulty mains connecting lead can result in serious or even fatal injuries.</p> <ol style="list-style-type: none"> 1. Do not damage the mains power lead (e.g. by driving over it, pulling or crushing it). 2. Regularly check whether the power cord is damaged or shows signs of ageing. 3. Have the faulty mains connecting lead replaced by your Nilfisk service representative or a qualified electrician prior to using the appliance again. |


| DANGER | |
|---|---|
|  | <p>The upper section of the vacuum cleaner contains live components.</p> <p>Contact with live components leads to serious or even fatal injuries.</p> <ol style="list-style-type: none"> 1. Never spray water on to the upper section of the vacuum cleaner. |

| CAUTION | |
|--|--|
|  | <p>Damage due to unsuitable mains voltage.</p> <p>The appliance can be damaged as a result of being connected to an unsuitable mains voltage.</p> <ol style="list-style-type: none"> 1. Ensure that the voltage shown on the rating plate corresponds to the voltage of the local mains power supply. |

Picking up liquids

| CAUTION | |
|---|--|
|  | <p>Picking up liquids.</p> <p>Do not pick up flammable liquids.</p> <ol style="list-style-type: none"> 1. Before liquids are picked up, always remove the filter bag/waste bag and check that the float or the water level limit works properly. 2. The use of a separate filter element or filter screen is recommended. 3. If foam appears, stop work immediately and empty the tank. |

Hazardous materials

| WARNING | |
|---|--|
|  | <p>Hazardous materials.</p> <p>Picking up hazardous materials can lead to serious or even fatal injuries.</p> <ol style="list-style-type: none"> 1. The following materials must not be picked up by the vacuum cleaner: <ul style="list-style-type: none"> - hot materials (burning cigarettes, hot ash, etc.) - flammable, explosive, aggressive liquids (e.g. petrol, solvents, acids, alkalis, etc.) - mixtures of flammable dusts with liquids - explosive substances or substances considered to be similar in §1 of the law on explosives - flammable dusts with an extremely low minimum ignition energy <1 mJ (also observe national regulations). - Highly reactive dusts or dusts with a high affinity to oxygen |

GB

DE

FR

NL

IT

NO

SV

DA

FI

ES

PT

EL

TR

SL

HR

SK

CS

PL

HU

RO

BG

RU

ET

LV

LT

ZH

KO

¹⁾ OEL values = Occupational Exposure Limit

*) Optional accessories / Option depending on model
Original instruction

GB

DE

FR

NL

IT

NO

SV

DA

FI

ES

PT

EL

TR

SL

HR

SK

CS

PL

HU

RO

BG

RU

ET

LV

LT

ZH

KO

Spare parts and accessories**WARNING**

For dusts like titanium and magnesium additional requirements apply, consult your national labour authorities or the manufacturer of the vacuum cleaner.

**CAUTION**

Spare parts and accessories.

For picking up flammable dust in Zone 22: Only use accessories which are certified by the manufacturer of the Type 22 machine. The use of other accessories can cause danger of explosion.

The use of non-genuine spare parts and accessories can impair the safety of the appliance.

1. Only use spare parts and accessories from Nilfisk.
2. Use only the brushes supplied with the vacuum cleaner or specified in the operating manual.

Inserting the disposal bag**WARNING**

On a Type 22 machine the earth connection between the head and the container should be kept at any times to prevent static build up.

The earth connection is kept through a brass clamp on the machine head when touching the inlet fitting on the container.

When inserting the disposal bag make sure the bag is placed so it does not interfere with the antistatic clamp.

Emptying dirt tank**CAUTION**

Picking up environmentally hazardous materials.

Materials picked up can present a hazard to the environment.

1. Dispose of the dirt in accordance with legal regulations.

2 Description

GB

DE

FR

NL

IT

NO

SV

DA

FI

ES

PT

EL

TR

SL

HR

SK

CS

PL

HU

RO

BG

RU

ET

LV

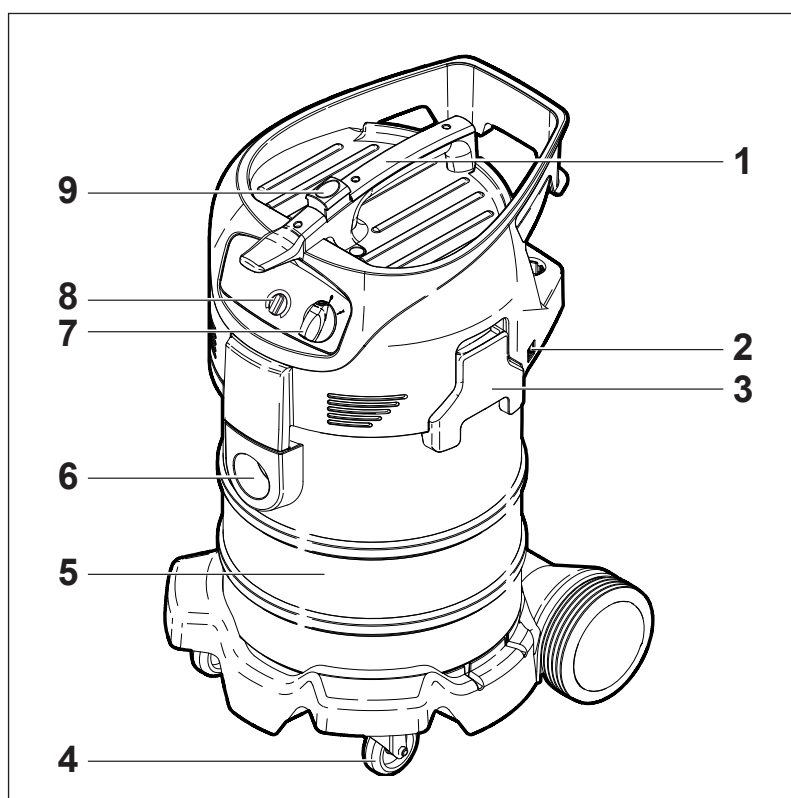
LT

ZH

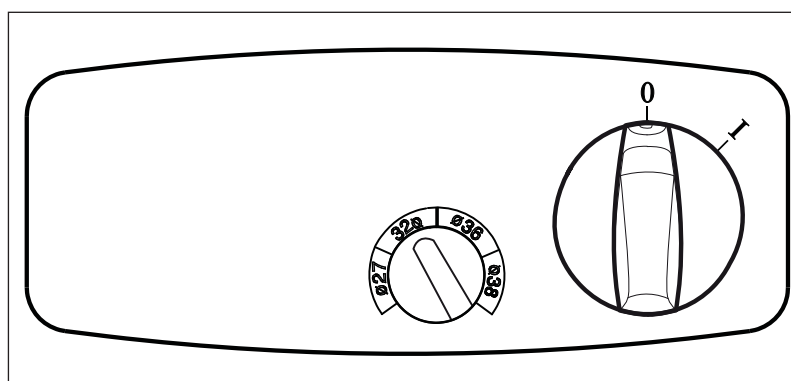
KO

2.1 Operating elements

- 1 Handle with receptacle for electrical lead
- 2 Fixing point for suction pipe holder
- 3 Retaining clamp
- 4 Castor
- 5 Dirt tank
- 6 Inlet fitting
- 7 Appliance switch
- 8 Hose diameter setting
- 9 Operating knob for filter cleaning



2.2 Operating panel



GB

3 Before starting the cleaner

DE

FR

NL

IT

NO

SV

DA

FI

ES

PT

EL

TR

SL

HR

SK

CS

PL

HU

RO

BG

RU

ET

LV

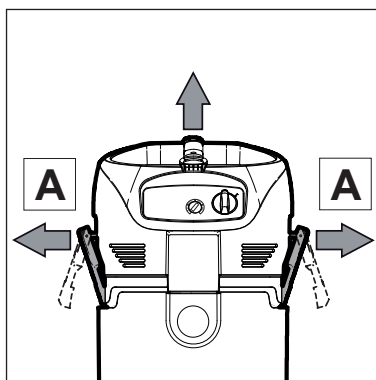
LT

ZH

KO

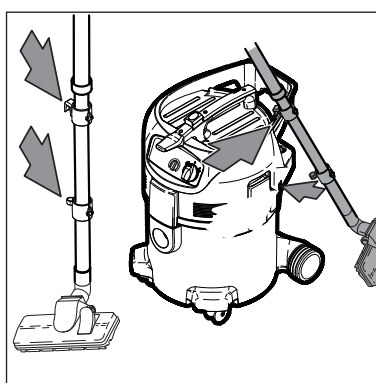
3.1 Assembling the vacuum cleaner

3.1.1 Taking accessories out of the packaging ¹⁾



1. Take vacuum cleaner and accessories out of the packaging.
2. The mains plug should not yet be inserted into a socket.
3. Open the retaining clamps (A) and remove the upper section of the vacuum cleaner.
4. Take the accessories ¹⁾ out of the dirt tank and the packaging.


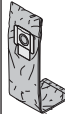


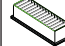
3.1.2 Attaching the suction pipe holder to the suction pipe ¹⁾



1. Attach the suction pipe holder to the suction pipe.

3.2 Before starting the cleaner

Depending on how hazardous the dust is, the cleaner must be fitted with appropriate filters.

| Type of dust | Filter bag/waste bag/ filter element |
|--|---|
| <ul style="list-style-type: none"> • Dusts with OEL values $\geq 0.1 \text{ mg/m}^3$ (observe any additional national regulations) • Explosive dust, dust explosion class St1, St2, St3 in Zone 22 • Wood dusts & concrete dusts |  Waste bag (5 pcs.) Order No. 30200804 |
| <ul style="list-style-type: none"> • Dusts with OEL values $\geq 0.1 \text{ mg/m}^3$ (observe any additional national regulations) • Explosive dust, dust explosion class St1, St2, St3 in Zone 22 • Wood dusts & concrete dusts |  Filter bag Order No. 302004004 |
| <ul style="list-style-type: none"> • Dusts with OEL values $\geq 0.1 \text{ mg/m}^3$ (observe any additional national regulations) • Explosive dust, dust explosion class St1, St2, St3 in Zone 22 • Wood dusts & concrete dusts |  Filter element "M": Order No. 302000490 |
|  <ul style="list-style-type: none"> • Dusts with OEL values $\geq 0.1 \text{ mg/m}^3$ (observe any additional national regulations) • Explosive dust, dust explosion class St1, St2, St3 in Zone 22 • Wood dusts & concrete dusts |  Motor cooling filter "TYPE 22" Bestell-Nr. 107400453 |

GB

DE

FR

NL

IT

NO

SV

DA

FI

ES

PT

EL

TR

SL

HR

SK

CS

PL

HU

RO

BG

RU

ET

LV

LT

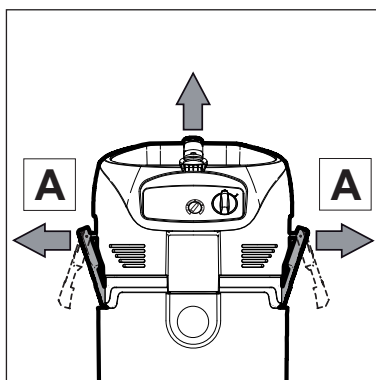
ZH

KO

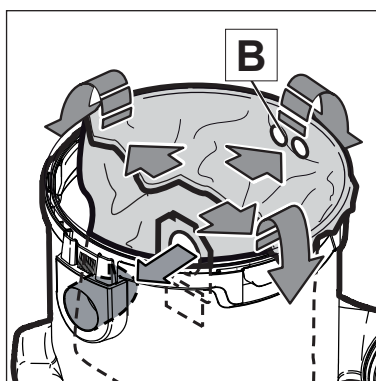
Before picking up dust with occupational exposure limit values:

1. Check that all the filters are present and properly fitted.
2. Do not use the cleaner with damaged or missing antistatic clamp. Risk of explosion due to static discharge in explosive atmospheres.
3. The hose diameter and the setting for the suction hose diameter must be the same.
4. When the motor is running, hold the suction hose shut. For safety reasons, an acoustic warning sounds if the air speed in the suction hose drops to below 20 m/s.

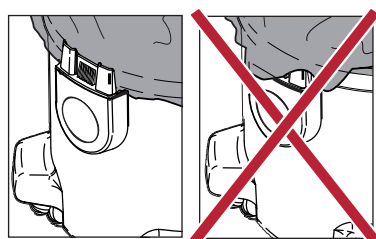
3.3 Insert the disposal bag



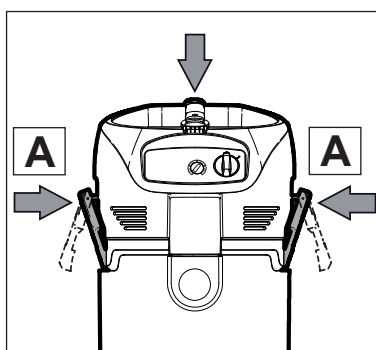
1. The mains plug should not yet be inserted into a socket.
2. Open the retaining clamps (A) and remove the upper section of the vacuum cleaner.



3. Insert the disposal bag into the dirt tank.
4. Check that the ventilation holes (B) remain inside the dirt tank.
5. Press the bush of the new filter bag firmly on to the inlet fitting.
6. Fold the top edge of the disposal bag over the rim of the dirt tank.



7. When inserting the disposal bag make sure the bag is placed so it does not interfere with the antistatic clamp.



8. Attach the upper section of the vacuum cleaner.
9. Close the retaining clamps (A). Ensure that the retaining clamps fit properly.

¹⁾ OEL values = Occupational Exposure Limit

*) Optional accessories / Option depending on model
Original instruction

GB

DE

FR

NL

IT

NO

SV

DA

FI

ES

PT

EL

TR

SL

HR

SK

CS

PL

HU

RO

BG

RU

ET

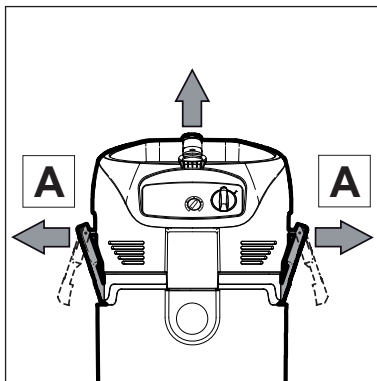
LV

LT

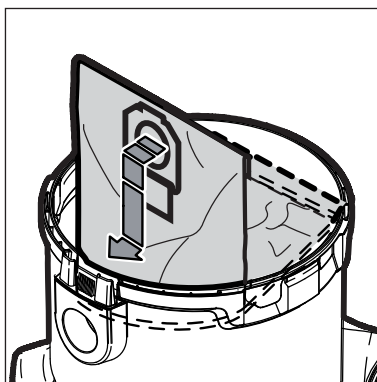
ZH

KO

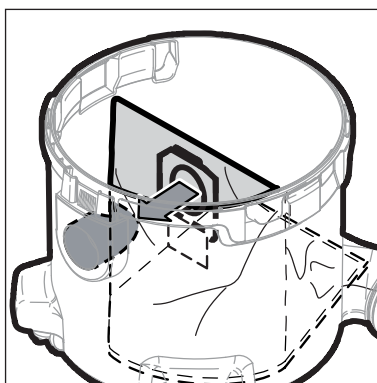
3.4 Inserting the filter bag



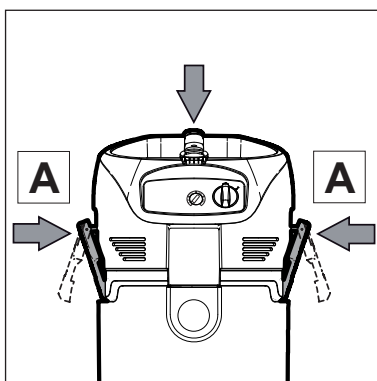
1. The mains plug should not yet be inserted into a socket.
2. Open the retaining clamps (A) and remove the upper section of the vacuum cleaner.



3. Insert the filter bag into the dirt tank.



4. Press the filter bag connection firmly on to the inlet fitting.



5. Attach the upper section of the vacuum cleaner.
6. Close the retaining clamps (A). Ensure that the retaining clamps fit properly.

4 Control / Operation

GB

DE

FR

NL

IT

NO

SV

DA

FI

ES

PT

EL

TR

SL

HR

SK

CS

PL

HU

RO

BG

RU

ET

LV

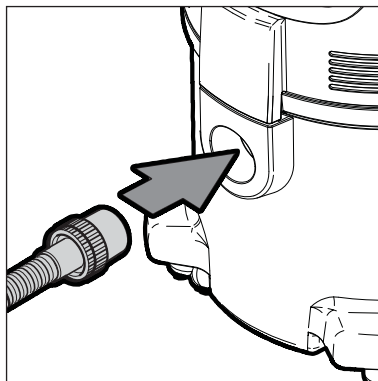
LT

ZH

KO

4.1 Connections

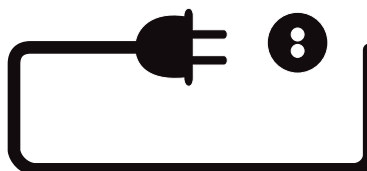
4.1.1 Connecting the suction hose



1. Connect the suction hose.

4.1.2 Electrical connection



The operating voltage shown on the rating plate must correspond to the voltage of the mains power supply.

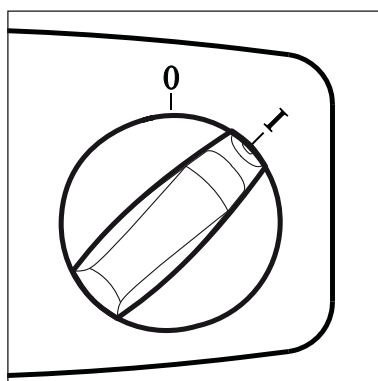


1. Ensure that the cleaner is switched off.
2. Insert the power cord into a properly installed and fused socket with earthing contact.

4.2 Switching on the vacuum cleaner

The hose diameter and the setting for suction hose diameter must be the same.

| | |
|---|---|
|  |  |
| $\varnothing 27$ | $\varnothing 27$ |
| $\varnothing 32$ | $\varnothing 32$ |
| $\varnothing 36$ | $\varnothing 36$ |
| $\varnothing 38$ | $\varnothing 38$ |



| Switch position | Function |
|-----------------|----------|
| 0 | Off |
| I | On |

GB

DE

FR

NL

IT

NO

SV

DA

FI

ES

PT

EL

TR

SL

HR

SK

CS

PL

HU

RO

BG

RU

ET

LV

LT

ZH

KO

4.3 Cleaning the filter element " Push&Clean System "

Only for vacuum cleaning without a filter bag and without a cloth insert filter.



If suction performance drops:

1. Turn switch to position "1" (maximum suction power).
2. Close the nozzles or suction hose opening with the palm of your hand.
3. Press the button to start filter cleaning three times. The resulting stream of air removes attached dust from the slats of the filter elements.

4.4 Check the volume flow monitor

Before picking up dust with maximum room concentration values:

1. Check that all the filters are present and properly fitted.
2. When the motor is running, hold the suction hose shut. An acoustic warning sounds after approx. 1 second.

4.5 Acoustic warning

For safety reasons, an acoustic warning sounds if the air speed in the suction hose drops to below 20 m/s. See section "Troubleshooting"

5 Applications and techniques

GB

DE

FR

NL

IT

NO

SV

DA

FI

ES

PT

EL

TR

SL

HR

SK

CS

PL

HU

RO

BG

RU

ET

LV

LT

ZH

KO

5.1 Techniques

If used correctly, additional accessories, suction nozzles and suction hoses can enhance the cleaning action and reduce the cleaning effort.

Effective cleaning is achieved if you follow just a few guidelines in combination with your own practical experience in special fields.

Here are some basic tips.

5.1.1 Picking up dry substances

There must always be a filter bag in the tank before dry substances with OEL values are picked up. See section "Accessories" for ordering number.

To pick up harmless dust we recommend the use of a waste bag. See section "Accessories" for ordering number. Disposal of the picked up material is then simple and hygienic.

After picking up liquids the filter element is wet. A damp filter element clogs more quickly when dry substances are picked up. For this reason the filter element should be washed and dried or replaced by a dry element before dry substances are picked up.

5.1.2 Picking up liquids

CAUTION!

Do not pick up flammable liquids.

Before liquids are picked up, always remove the filter bag/disposal bag.

The use of a separate filter element or filter screen is recommended. Does not apply to XC machines.

If foam appears, stop work immediately and empty the tank.

To reduce the amount of foam, use foam killer Nilfisk Foam Stop (see section "Accessories" for order number).

GB

6 After finishing work

DE

FR

NL

IT

NO

SV

DA

FI

ES

PT

EL

TR

SL

HR

SK

CS

PL

HU

RO

BG

RU

ET

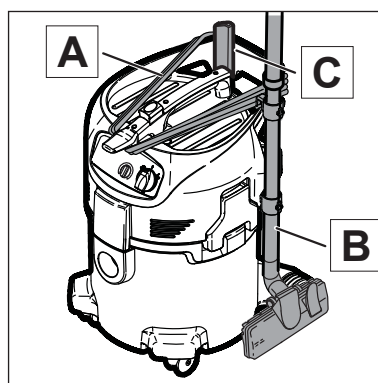
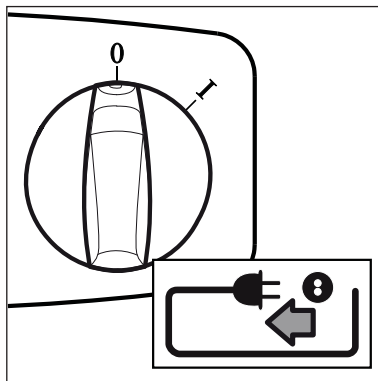
LV

LT

ZH

KO

6.1 Switching the vacuum cleaner off and storage



1. After picking up hazardous dust, vacuum clean the outside of the cleaner.
2. Switch off the cleaner and pull the mains plug out of the socket.
3. Wind up the power cord onto the handle (A). Begin winding up the cord at the cleaner end and not the plug end to prevent the power cord from tangling up.
4. Empty the dirt tank and clean the vacuum cleaner.
5. After picking up liquids: Store the upper section of the vacuum cleaner separately so that the filter element can dry.
6. Hang the suction hose with the floor nozzle (B) in the brackets and pack the accessories (C) away.
7. Store the cleaner in a dry room where it is protected from unauthorized use.

7 Maintenance

GB

DE

FR

NL

IT

NO

SV

DA

FI

ES

PT

EL

TR

SL

HR

SK

CS

PL

HU

RO

BG

RU

ET

LV

LT

ZH

KO

7.1 Maintenance plan

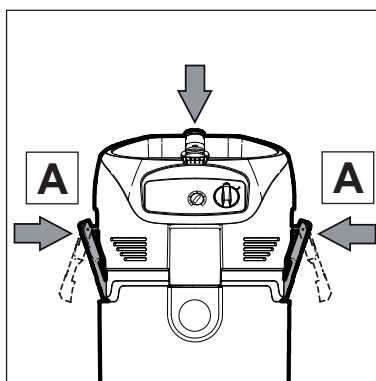
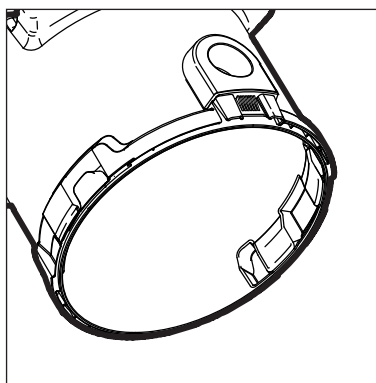
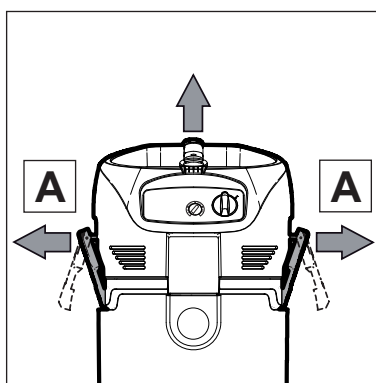
| | | After finishing work | When required |
|-------|---------------------------------------|----------------------|---------------|
| 7.2.1 | Emptying dirt tank | ● | |
| 7.2.2 | Replacing the disposal bag | | ● |
| 7.2.3 | Replacing the filter bag | | ● |
| 7.2.4 | Replacing filter element (Push&Clean) | | ● |
| 7.2.5 | Replacing motor cooling filter | | ● |

7.2 Maintenance work

7.2.1 Emptying the dirt tank

After emptying the tank: clean the rim of the tank and the seals in the intermediate ring and the upper section of cleaner before refitting them. If the seal or groove is dirty or damaged, the suction performance will be reduced.

Before reinserting the suction hose: clean the inlet fitting and hose collar.



1. Switch off the vacuum cleaner and pull the mains plug out of the socket.
2. Open the retaining clamps (A) and remove the upper section of the vacuum cleaner.
3. Tip out the collected dirt.
4. Dispose of the dirt in accordance with legal regulations.
5. Attach the upper section of the vacuum cleaner.
6. Close the retaining clamps (A). Ensure that the retaining clamps fit properly.

GB

DE

FR

NL

IT

NO

SV

DA

FI

ES

PT

EL

TR

SL

HR

SK

CS

PL

HU

RO

BG

RU

ET

LV

LT

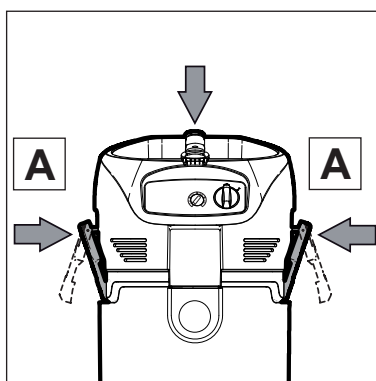
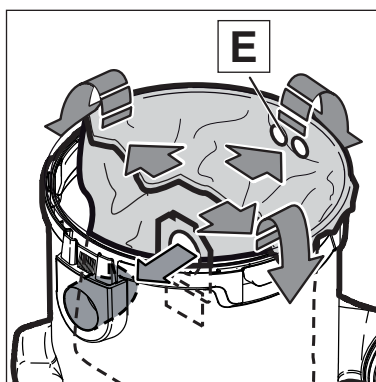
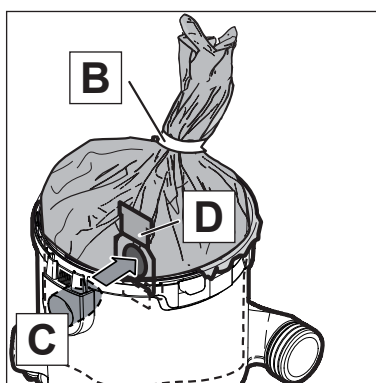
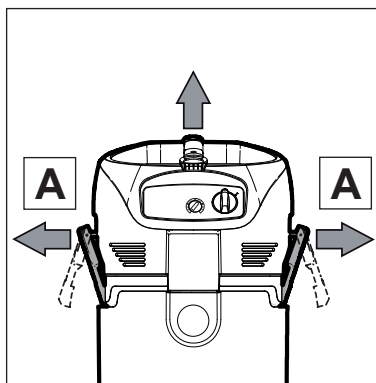
ZH

KO

7.2.2 Replacing the disposal bag

During the following work, ensure that dust is not unnecessarily spread around. Wear a P2 breathing mask.

Never use the vacuum cleaner without a filter.



1. Switch off the vacuum cleaner and pull the mains plug out of the socket.
2. Open the retaining clamps (A) and remove the upper section of the vacuum cleaner.

Removing the disposal bag:

3. Close the disposal bag with string (B).
4. Carefully remove the filter bag connection from the inlet fitting (C).
5. Close the disposal bag connection (D) with the slider.
6. Dispose of the disposal bag in accordance with legal regulations.

Inserting the disposal bag:

7. Clean the dirt tank.
8. Insert the disposal bag into the dirt tank.
9. Check that the ventilation holes (E) remain inside the dirt tank.
10. Press the bush of the new filter bag firmly on to the inlet fitting.
11. Fold the top edge of the disposal bag over the rim of the dirt tank.
12. Attach the upper section of the vacuum cleaner.
13. Close the retaining clamps (A). Ensure that the retaining clamps fit properly.

GB

DE

FR

NL

IT

NO

SV

DA

FI

ES

PT

EL

TR

SL

HR

SK

CS

PL

HU

RO

BG

RU

ET

LV

LT

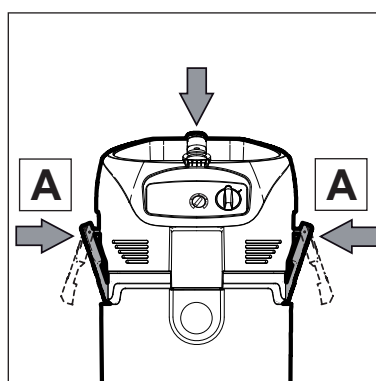
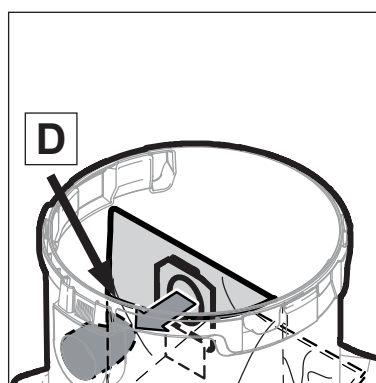
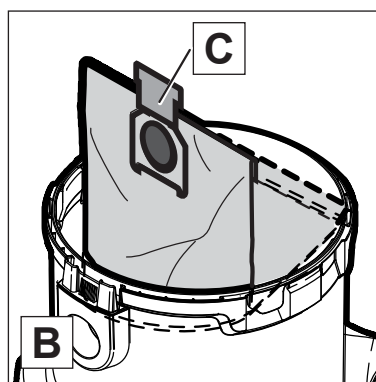
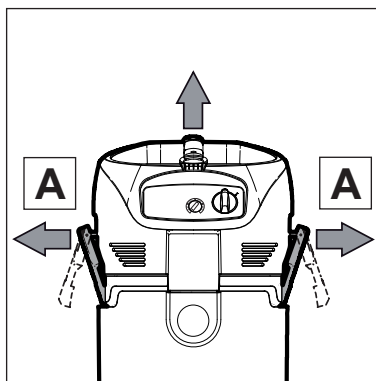
ZH

KO

7.2.3 Replacing the filter bag

During the following work, ensure that dust is not unnecessarily spread around. Wear a P2 breathing mask.

Never use the vacuum cleaner without a filter.



1. Switch off the vacuum cleaner and pull the mains plug out of the socket.
2. Open the retaining clamps (A) and remove the upper section of the vacuum cleaner.

Removing the filter bag:

3. Carefully remove the filter bag connection from the inlet fitting (B).
4. Close the filter bag connection (C) with the slider.
5. Dispose of the filter bag in accordance with legal regulations.

Inserting the filter bag:

6. Clean the dirt tank.
7. Insert the filter bag in the dirt tank.
8. Press the bush of the new filter bag firmly on to the inlet fitting (D).
9. Attach the upper section of the vacuum cleaner.
10. Close the retaining clamps (A). Ensure that the retaining clamps fit properly.

GB

DE

FR

NL

IT

NO

SV

DA

FI

ES

PT

EL

TR

SL

HR

SK

CS

PL

HU

RO

BG

RU

ET

LV

LT

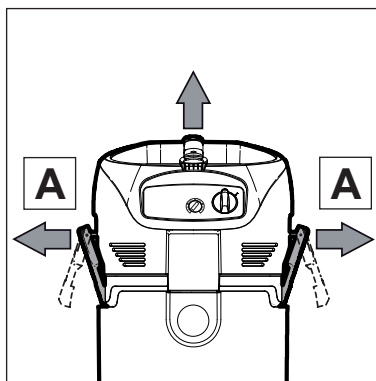
ZH

KO

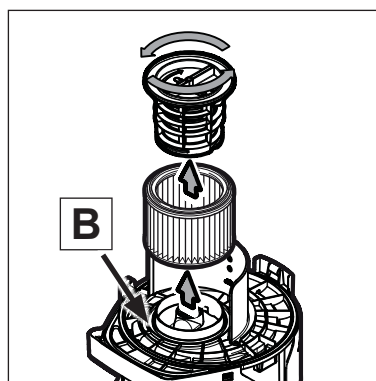
7.2.4 Replacing filter element (Push & Clean System)

During the following work, ensure that dust is not unnecessarily spread around. Wear a P2 breathing mask.

Never use the vacuum cleaner without a filter.

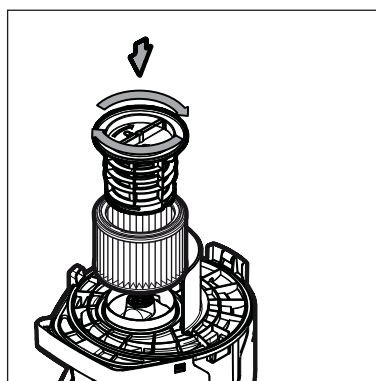


1. Switch off the vacuum cleaner and pull the mains plug out of the socket.
2. Open the retaining clamps (A) and remove the upper section of the vacuum cleaner.



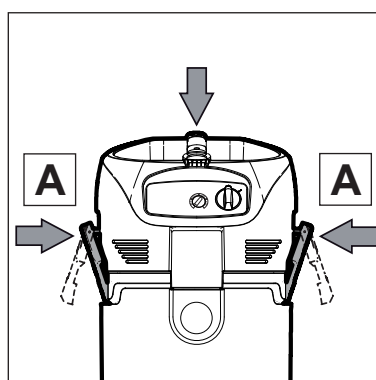
Removing the filter element:

3. Turn the filter holder anticlockwise and remove it.
4. Carefully remove the filter element.
5. Clean the filter seal (B). Check it for damage and replace it if necessary.



Inserting the filter element:

6. Fit the filter holder and turn it clockwise to secure it.
7. Dispose of the used filter element in accordance with legal regulations.



8. Attach the upper section of the vacuum cleaner.
9. Close the retaining clamps (A). Ensure that the retaining clamps fit properly.

GB

DE

FR

NL

IT

NO

SV

DA

FI

ES

PT

EL

TR

SL

HR

SK

CS

PL

HU

RO

BG

RU

ET

LV

LT

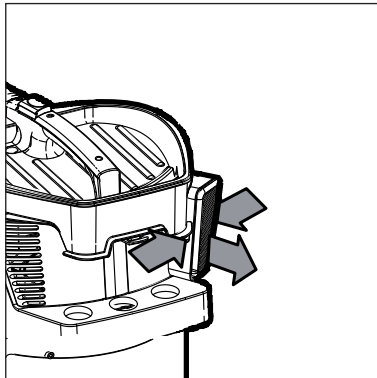
ZH

KO

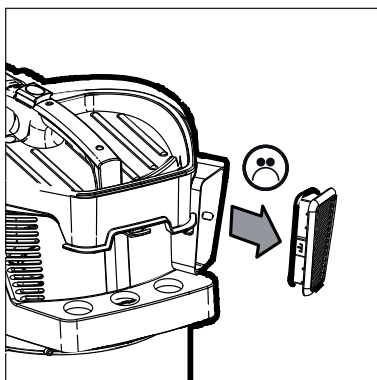
7.2.5 Replacing the motor cooling filter

During the following work, ensure that dust is not unnecessarily spread around. Wear a P2 breathing mask.

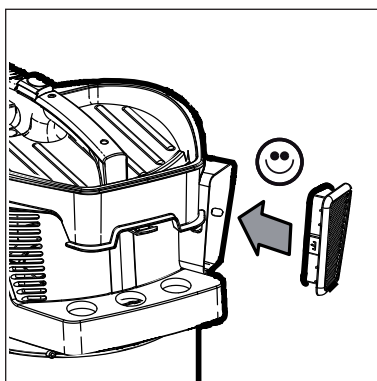
Never use the vacuum cleaner without a filter.



1. Remove filter cartridge.



2. Dispose of the used filter cartridge in accordance with legal regulations.



3. Fit a new filter cartridge.

GB

8 Troubleshooting

DE

FR

NL

IT

NO

SV

DA

FI

ES

PT

EL

TR

SL

HR

SK

CS

PL

HU

RO

BG

RU

ET

LV

LT

ZH

KO

| Fault | Cause | Remedy |
|--|---|---|
| ‡ Motor does not start | <ul style="list-style-type: none"> > Fuse of the mains socket has blown > Overload protection switch has tripped > Motor is faulty | <ul style="list-style-type: none"> • Connect mains fuse • Switch off the vacuum cleaner and allow it to cool for approx. 5 minutes. If the cleaner cannot be started again, contact the Nilfisk service department • Have motor changed by Nilfisk Service |
| ‡ The acoustic warning sounds. (Reduced suction power) | <ul style="list-style-type: none"> > Hose diameter does not correspond with switch position > Clogged suction hose/nozzle > Tank, disposal bag or filter bag is full > Filter element is clogged > Seal between tank and upper section of vacuum cleaner is faulty or missing > Cleaning mechanism is defective | <ul style="list-style-type: none"> • Set correct switch position for hose diameter • Clean suction hose/nozzle • See "Emptying tank" or "Replacing disposal bag, filter bag" sections • See section „Cleaning filter element“ and „Replacing filter element“ • Replace seal • Contact Nilfisk Service |
| ‡ No suction power during wet cleaning | <ul style="list-style-type: none"> > Tank is full | <ul style="list-style-type: none"> • Switch off the cleaner. Empty the tank |
| ‡ Voltage fluctuations | <ul style="list-style-type: none"> > Impedance of power supply is too high | <ul style="list-style-type: none"> • Connect the cleaner to another socket closer to the fuse box. Voltage fluctuations over 7% should not occur if the impedance at the transfer point is $\leq 0.15 \Omega$ |

9 Further information

GB

DE

FR

NL

IT

NO

SV

DA

FI

ES

PT

EL

TR

SL

HR

SK

CS

PL

HU

RO

BG

RU

ET

LV

LT

ZH

KO

9.1 Recycling the cleaner

Make the old cleaner unusable immediately.

1. Unplug the cleaner.
2. Cut the power cord.
3. Do not discard of electrical appliances with household waste.



As specified in European Directive 2012/19/EU on old electrical and electronic appliances, used electrical goods must be collected separately and recycled ecologically. Contact your local authorities or your nearest dealer for further information.

9.2 Guarantee

Our general conditions of business are applicable with regard to the guarantee.


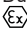

Unauthorised modifications to the appliance, the use of incorrect brushes in addition to using the appliance in a way other than for the intended purpose exempt the manufacturer from any liability for the resulting damage.

9.3 Tests and approvals

Electrical tests must be performed in accordance with the provisions of safety regulations (BGV A3) and to DIN VDE 0701 Part 1 and Part 3. In accordance with DIN VDE 0702 these tests must be performed at regular intervals and after repairs or modifications.

The vacuum cleaner has been approved in accordance with IEC/EN 60335-2-69.

9.4 EC declaration of conformity

|  | EC declaration of conformity |
|--|---|
| Nilfisk A/S Kornmarksvej 1 DK-2605 Brøndby DENMARK | |
| Product: | Vacuum cleaner for wet and dry operation |
| Model: | ATTIX 40-0M PC TYPE 22 |
| Description: | 230-240V~, 50-60Hz Dust Class M, ATEX Zone 22,  II 3D Ex tD A22 T135 °C IP54 |
| The design of the appliance corresponds to the following pertinent regulations: | EC - Machine directive 2006/42/EC EC - Directive EMC 2004/108/EC EC - Explosive Atmosphere directive 94/9/EC „ATEX“ |
| Applied harmonized standards: | EN ISO 12100-1 (2004), EN ISO 12100-2 (2004), EN 55014-1 (2006), EN 55014-2 (2001), EN 61000-3-2 (2006), EN 1127-1 (2007), EN 61241-10 (2004) |
| Applied national standards and technical specifications: | EN 60335-2-69 (2009) IEC 60335-2-69 (2008) |
|  Anton Sørensen Senior Vice President – Global R&D | Brøndby, 02.10.2009 |

¹⁾ OEL values = Occupational Exposure Limit

*) Optional accessories / Option depending on model
Original instruction

GB

DE

FR

NL

IT

NO

SV

DA

FI

ES

PT

EL

TR

SL

HR

SK

CS

PL

HU

RO

BG

RU

ET

LV

LT

ZH

KO

9.5 Technical data

| ATTIX 40-0M PC TYPE 22 - EU - | | |
|----------------------------------|----|------|
| Voltage | V | 230 |
| Mains frequency | Hz | 50 |
| Fuse | A | 16 |
| Power consumption _{IEC} | W | 1100 |

| ATTIX 40-0M PC TYPE 22 | | |
|---|----------------------------|---------------|
| Total connected load | W | 1100 |
| Air flow rate | m ³ /h l/min | 192 3200 |
| Vacuum | hPa/mbar kPa | 230 23 |
| Sound pressure level at a distance of 1 m, EN 60704-1 | dB(A) | 63 ± 2 |
| Working sound level | dB(A) | 60 ± 2 |
| Power cord: Type | | H07RN-F 3G1,5 |
| Protection class | | I |
| Type of protection | | IP 54 |
| Radio interference level | | EN 55014-1 |
| Tank volume | l | 36 |
| Width | mm | 440 |
| Depth | mm | 450 |
| Height | mm | 735 |
| Weight | kg | 13 |
| Service temperature | | 0°C - 30°C |
| CAUTION! Only use the cables mentioned | | |

9.6 Optional accessories

| Description | Order No. |
|---------------------------------|-----------|
| Waste bag (5 pcs.) | 302000804 |
| Filter bag (5 pcs.) | 302004004 |
| Zylindrical M-filter element PC | 302000490 |
| Motor Cooling air filter | 107400453 |
| Nilfisk-Foam-Stop (6x1l) | 8469 |



HEAD QUARTER

DENMARK

Nilfisk A/S
Kornmarksvej 1
DK-2605 Brøndby
Tel.: (+45) 4323 8100
www.nilfisk.com

SALES COMPANIES

ARGENTINA

Nilfisk srl.
Edificio Central Park
Herrera 1855, 6th floor/604
Ciudad de Buenos Aires
Tel.: (+54) 11 6091 1571
www.nilfisk.com.ar

AUSTRALIA

Nilfisk Pty Ltd
Unit 1/13 Bessemer Street
Blacktown NSW 2148
Tel.: (+61) 2 98348100
www.nilfisk.com.au

AUSTRIA

Nilfisk GmbH
Metzgerstrasse 68
5101 Bergheim bei Salzburg
Tel.: (+43) 662 456 400 90
www.nilfisk.at

BELGIUM

Nilfisk n.v.-s.a.
Riverside Business Park
Boulevard Internationalelaan 55
Bâtiment C3/C4 Gebouw
Bruxelles 1070
Tel.: (+32) 14 67 60 50
www.nilfisk.be

BRAZIL

Nilfisk do Brasil
Av. Eng. Luis Carlos Berrini, 550
40 Andar, Sala 03
SP - 04571-000 Sao Paulo
Tel.: (+11) 3959-0300 / 3945-4744
www.nilfisk.com.br

CANADA

Nilfisk Canada Company
240 Superior Boulevard
Mississauga, Ontario L5T 2L2
Tel.: (+1) 800-668-8400
www.nilfisk.ca

CHILE

Nilfisk S.A. (Comercial KCS Ltda)
Salar de Llamara 822
8320000 Santiago
Tel.: (+56) 2684 5000
www.nilfisk.cl

CHINA

Nilfisk
4189 Yindu Road
Xinzhuan Industrial Park
201108 Shanghai
Tel.: (+86) 21 3323 2000
www.nilfisk.cn

CZECH REPUBLIC

Nilfisk s.r.o.
VGP Park Horní Počernice
Do Čertous 1/2658
193 00 Praha 9
Tel.: (+420) 244 090 912
www.nilfisk.cz

DENMARK

Nilfisk Danmark A/S
Industrivej 1
Hadsund, DK-9560
Tel.: 72 18 21 20
www.nilfisk.dk

FINLAND

Nilfisk Oy Ab
Koskelontie 23 E
02920 Espoo
Tel.: (+358) 207 890 600
www.nilfisk.fi

FRANCE

Nilfisk SAS
26 Avenue de la Baltique
Villebon sur Yvette
91978 Courtabouef Cedex
Tel.: (+33) 169 59 87 00
www.nilfisk.fr

GERMANY

Nilfisk GmbH
Guido-Oberdorfer-Straße 2-10
89287 Bellenberg
Tel.: (+49) (0)7306/72-444
www.nilfisk.de

GREECE

Nilfisk A.E.
Αναπαύσεως 29
Κορωπί T.K. 194 00
Tel.: (30) 210 9119 600
www.nilfisk.gr

HOLLAND

Nilfisk B.V.
Versterkerstraat 5
1322 AN Almere
Tel.: (+31) 036 5460760
www.nilfisk.nl

HONG KONG

Nilfisk Ltd.
2001 HK Worsted Mills
Industrial Building
31-39, Wo Tong Tsui St.
Kwai Chung, N.T.
Tel.: (+852) 2427 5951
www.nilfisk.com

HUNGARY

Nilfisk Kft.
II. Rákóczi Ferenc út 10
2310 Szigetszentmiklós-Lakihegy
Tel.: (+36) 24 475 550
www.nilfisk.hu

INDIA

Nilfisk India Limited
Pramukh Plaza, 'B' Wing, 4th floor, Unit
No. 403
Cardinal Gracious Road, Chakala
Andheri (East) Mumbai 400 099
Tel.: (+91) 22 6118 8188
www.nilfisk.in

IRELAND

Nilfisk
1 Stokes Place
St. Stephen's Green
Dublin 2
Tel.: (+35) 3 12 94 38 38
www.nilfisk.ie

ITALY

Nilfisk SpA
Strada Comunale della Braglia, 18
26862 Guardamiglio (LO)
Tel.: (+39) (0) 377 414021
www.nilfisk.it

JAPAN

Nilfisk Inc.
1-6-6 Kita-shinyokohama, Kouhoku-ku
Yokohama, 223-0059
Tel.: (+81) 45548 2571
www.nilfisk.com

MALAYSIA

Nilfisk Sdn Bhd
Sd 33, Jalan KIP 10
Taman Perindustrian KIP
Sri Damansara
52200 Kuala Lumpur
Tel.: (60) 3603 627 43 120
www.nilfisk.com

MEXICO

Nilfisk de Mexico, S. de R.L. de C.V.
Pirineos #515 Int.
60-70 Microparque
Industrial WSantiago
76120 Queretaro
Tel.: (+52) (442) 427 77 00
www.nilfisk.com

NEW ZEALAND

Nilfisk Limited
Suite F, Building E
42 Tawa Drive
0632 Albany Auckland
Tel.: (+64) 9 414 1996
Website: www.nilfisk.com

NORWAY

Nilfisk AS
Bjørnerudveien 24
1266 Oslo
Tel.: (+47) 22 75 17 80
www.nilfisk.no

PERU

Nilfisk S.A.C.
Calle Boulevard 162, Of. 703, Lima 33-
Perú
Lima
Tel.: (511) 435-6840
www.nilfisk.com

POLAND

Nilfisk Sp. Z.O.O.
Millenium Logistic Park
ul. 3 Maja 8, Bud. B4
05-800 Pruszków
Tel.: (+48) 22 738 3750
www.nilfisk.pl

PORTUGAL

Nilfisk Lda.
Sintra Business Park
Zona Industrial Da Abrunheira
Edificio 1, 1º A
P2710-089 Sintra
Tel.: (+351) 21 911 2670
www.nilfisk.pt

RUSSIA

Nilfisk LLC
Vyatskaya str. 27, bld. 7/1st
127015 Moscow
Tel.: (+7) 495 783 9602
www.nilfisk.ru

SINGAPORE

Den-Sin
22 Tuas Avenue 2
639453 Singapore
Tel.: (+65) 6268 1006
www.densin.com

SLOVAKIA

Nilfisk s.r.o.
Bancíkovej 1/A
SK-821 03 Bratislava
Tel.: (+421) 910 222 928
www.nilfisk.sk

SOUTH AFRICA

Nilfisk (Pty) Ltd
Kimbult Office Park
9 Zeiss Road
Laser Park
Honeydew
Johannesburg
Tel: +27118014600
www.nilfisk.co.za

SOUTH KOREA

Nilfisk Korea
3F Duksoo B/D, 317-15
Sungsoo-Dong 2Ga
Sungdong-Gu, Seoul
Tel.: (+82) 2497 8636
www.nilfisk.co.kr

SPAIN

Nilfisk S.A.
Torre d'Ara,
Passeig del Rengle, 5 Plta. 10ª
08302 Mataró
Tel.: (34) 93 741 2400
www.nilfisk.es

SWEDEN

Nilfisk AB
Taljegårdsgatan 4
431 53 Mölndal
Tel.: (+46) 31 706 73 00
www.nilfisk.se

SWITZERLAND

Nilfisk AG
Ringstrasse 19
Kircheberg/Industri Stelz
9500 Wil
Tel.: (+41) 71 92 38 444
www.nilfisk.ch

TAIWAN

Nilfisk Ltd
Taiwan Branch (H.K)
No. 5, Wan Fang Road
Taipei
Tel.: (+88) 6227 00 22 68
www.nilfisk.tw

THAILAND

Nilfisk Co. Ltd.
89 Soi Chokechai-Ruammitr
Viphavadee-Rangsit Road
Ladyao, Jatuchak, Bangkok 10900
Tel.: (+66) 2275 5630
www.nilfisk.co.th

TURKEY

Nilfisk A.S.
Serifali Mh. Bayraktar Bulv. Sehit Sk. No:7
Ümraniye, 34775 Istanbul
Tel.: +90 216 466 94 94
www.nilfisk.com.tr

UNITED ARAB EMIRATES

Nilfisk Middle East Branch
SAIF-Zone
P.O. Box 122298
Sharjah
Tel.: (+971) (0) 655-78813
www.nilfisk.com

UNITED KINGDOM

Nilfisk Ltd.
Nilfisk House, Bowerbank Way
Gilwilly Industrial Estate, Penrith
Cumbria CA11 9BQ
Tel.: (+44) (0) 1768 868995
www.nilfisk.co.uk

UNITED STATES

Nilfisk, Inc.
9435 Winnetka Ave N,
Brooklyn Park
MN- 55445
www.nilfisk.com

VIETNAM

Nilfisk Vietnam
No. 51 Doc Ngu Str.
P. Vinh Phúc, Q.Ba Dinh
Hanoi
Tel.: (+84) 761 5642
www.nilfisk.com