



## CamVac Series

## High Filtration Dust Extractors Feinfilternde Staubabsauganlagen Aspiration des poussières haute filtration

Version 3.3

May / Mai / mai  
2022



**CGV286-3** 36 L 1kW Compact Extractor

**CGV286-4** 36 L 2 x 1kW Compact Extractor

**CGV286-3-WALL** 150 L 2 x 1kW Compact Wall Mounted Extractor

**CGV336-3** 55 L 1kW Medium Extractor

**CGV336-4** 55 L 2 x 1kW Medium Extractor

**CGV386-5** 90 L 2 x 1kW Large Extractor

**CGV386-6** 90 L 3 x 1kW Large Extractor

**CGV486-6** 200 L 3 x 1kW Heavy Duty Extractor

**CGV286-3** 36 L 1kW Kompakte Absauganlage

**CGV286-4** 36 L 2 x 1kW Kompakte Absauganlage

**CGV286-3-WALL** 150 L 2 x 1kW Kompakte Absauganlage für Wandmontage

**CGV336-3** 55 L 1kW Mittelgroße Absauganlage

**CGV336-4** 55 L 2 x 1kW Mittelgroße Absauganlage

**CGV386-5** 90 L 2 x 1kW Große Absauganlage

**CGV386-6** 90 L 3 x 1kW Große Absauganlage

**CGV486-6** 200 L 3 x 1kW Schwerlast Absauganlage

**CGV286-3** 36 L 1kW Aspirateur compact

**CGV286-4** 36 L 2 x 1kW Aspirateur compact

**CGV286-3-WALL** 150 L 2 x 1kW Aspirateur mural compact

**CGV336-3** 55 L 1kW Aspirateur moyen

**CGV336-4** 55 L 2 x 1kW Aspirateur moyen

**CGV386-5** 90 L 2 x 1kW Aspirateur large

**CGV386-6** 90 L 3 x 1kW Aspirateur large

**CGV486-6** 200 L 3 x 1kW Aspirateur toute épreuve



# Contents

- 1 Explanation of Symbols
- 2 General Health and Safety Guidance
- 3 Additional Health and Safety Guidance for High Filtration Dust Extractors
- 4 Record Power Guarantee
- 5 Specifications
- 6 Contents of the Packages
- 7 Assembly
- 8 Assembly of the Optional Wheel Kits
- 9 Operation
- 10 Maintenance
- 11 Consumable Products
- 12 Dust Extraction
- 13 Parts Lists and Diagrams
- 14 Electrical Connection and Wiring Diagrams

EC Certificate of Conformity



To register this product please visit  
**[www.recordpower.info](http://www.recordpower.info)**

It is important to register your product as soon as possible in order to receive efficient after sales support and be entitled to the full **5 year guarantee**. Your statutory rights are not affected.  
Please see back cover for contact details.

# 1. Explanation of Symbols

**THE SYMBOLS AND THEIR MEANINGS SHOWN BELOW MAY BE USED THROUGHOUT THIS MANUAL. PLEASE ENSURE THAT YOU TAKE THE APPROPRIATE ACTION WHEREVER THE WARNINGS ARE USED.**

## **Mandatory Instructions**



Read and fully understand the instruction manual before attempting to use the machine.



Indicates an instruction that requires particular attention



Wear protective eyewear



Use respiratory protective equipment



Use hearing protection



Use suitable protective footwear



Use protective work gloves

## **Warnings**



Indicates a risk of severe personal injury or damage to the machine



Indicates a risk of severe personal injury from electrical shock



Risk of personal injury from lifting of heavy items



Indicates a risk of severe personal injury from airborne objects



Risk of fire

# 2. General Health and Safety Guidance

**Ensure that you carefully read and fully understand the instructions in this manual before assembly, installation and use of this product. Keep these instructions in a safe place for future reference.**

**WARNING:** for your own safety, do not attempt to operate this machine until it is completely assembled and installed according to these instructions.

**WARNING:** When using any machine, basic safety precautions should always be followed to reduce the risk of fire, electric shock and personal injury.

## Safe Operation

### 1. Use Personal Protective Equipment (PPE)

- The operation of any machine can result in foreign objects being thrown into your eyes, which can result in severe eye damage. Protective eyewear or other suitable eye protection or face shield should be used at all times. Everyday spectacles only have impact resistant lenses. They are not protective eyewear and do not give additional lateral protection.
- Use respiratory protective equipment (dust mask etc.) if the machining operation creates dust. Exposure to high levels of dust created by machining hardwoods, softwoods and man made composite boards can result in serious health problems. Some imported hardwoods give off highly irritating dust, which can cause a burning sensation. The use of respiratory protective equipment should not be seen as an alternative to controlling the risk of exposure at source by using adequate dust extraction equipment.
- The use of ear plugs or ear defenders is recommended when the machine is in use, particularly if the noise level exceeds 85 dB.
- Wear suitable protective gloves when handling cutting tools or blades. Gloves should NOT be worn when using the machine as they can be caught in moving parts of the machine.
- Non-slip safety footwear is recommended when using the machine and handling large work pieces.

### 2. Dress appropriately

- Do not wear loose clothing, neckties or jewellery; they can be caught in moving parts of the machine.
- Roll up long sleeves above the elbow.
- Wear protective hair covering to contain long hair.

### 3. Safety warnings

- Find and read any warning labels on the machine.
- It is important that any labels bearing health and safety warnings are not removed, defaced or covered. Replacement labels can be obtained by contacting our Customer Service Department.

### 4. Familiarise yourself with the machine

- If you are not thoroughly familiar with the operation of this machine, obtain advice from your supervisor, instructor, or other qualified person or contact your retailer for information on training courses. Do not use this machine until adequate training has been undertaken.

### 5. Take care when moving or positioning the machine

- Some machines can be very heavy. Ensure the floor of the area in which the machine is to be used is capable of supporting the machine.
- The machine and its various components can be heavy. Always adopt a safe lifting technique and seek assistance when lifting heavy components. In some cases it may be necessary to use mechanical handling equipment to position the machine within the work area.
- Some machines have optional wheel kits available to allow them to be manoeuvred around the workshop as required. Care should be taken to install these according to the instructions provided.
- Due to the nature of the design of some machines the centre of gravity will be high making them unstable when moved. Extreme care should be taken when moving any machine.
- If transportation of the machine is required then all precautions relating to the installation and handling of the machine apply. In addition, ensure that any vehicles or manual handling equipment used for transportation are of adequate specification.

### 6. The machine should be level and stable at all times

- When using a leg stand or cabinet base that is designed to be fitted to the machine, always ensure that it is securely fastened to the machine using the fixings provided.
- If the machine is suitable to be used on a workbench, ensure that the workbench is well constructed and capable of withstanding the weight of the machine. The machine should always be securely fastened to the workbench with appropriate fixings.
- Where possible, floor standing machines should always be secured to the floor with fixings appropriate to the structure of the floor.
- The floor surface should be sound and level. All of the feet of the machine should make contact with the floor surface. If they do not, either re-locate the machine to a more suitable position or use packing shims between the feet and the floor surface to ensure the machine is stable.

### 7. Remove adjusting keys and wrenches

- Ensure that all adjusting wrenches and keys are removed before switching the machine 'ON'. There is a risk of severe personal injury or damage to the machine from airborne objects.

### 8. Before switching the machine 'ON'

- Clear the machine table of all objects (tools, scrap pieces etc.)
- Make sure there is no debris between the work piece and the table / work support.
- Ensure that the work piece is not pressed against, or touching the saw blade or cutting tool.
- Check all clamps, work holding devices and fences to ensure that they are secure and cannot move during machining operations.
- Plan the way that you will hold and feed the work piece for the entire machining operation.

### 9. Whilst machining

- Before starting work, watch the machine while it runs. If it makes an unfamiliar noise or vibrates excessively, switch the machine 'OFF' immediately and disconnect it from the power supply. Do not restart until finding and correcting the source of the problem.

### 10. Keep the work area clear

- Working clearances can be thought of as the distances between machines and obstacles that allow safe operation of every machine without limitation. Consider existing and anticipated machine needs, size of material to be processed through each machine and space for auxiliary stands and/or work tables. Also consider the relative position of each machine to one another for efficient material handling. Be sure to allow yourself sufficient room to safely operate your machines in any foreseeable operation.
- Cluttered work areas and benches create the risk of accidents. Keep benches clear and tidy away tools that are not in use.
- Ensure that the floor area is kept clean and clear of any dust and debris that may create trip or slip hazards.

### 11. Consider the work area environment

- Do not expose the machine to rain or damp conditions.
- Keep the work area well lit and ensure that there is artificial lighting available when there is insufficient natural light to effectively light the work area. Lighting should be bright enough to eliminate shadow and prevent eye strain.
- Do not use the machine in explosive environments e.g. in the presence of flammable liquids, gases or dust.
- The presence of high levels of dust created by machining wood can present a risk of fire or explosion. Always use dust extraction equipment to minimise the risk.

### 12. Keep other persons away (and pets)

- The machine is designed to be used by one person only.
- Do not let persons, especially children, touch the machine or extension cable (if used) and keep visitors away from the work area.
- Never leave the machine running unattended. Turn the power supply off and do not leave the machine unattended until it comes to a



## 2. General Health and Safety Guidance

complete stop.

- If the work area is to be left unattended, all machinery should be switched 'OFF' and isolated from the mains power supply.

### 13. Store machines safely when not in use

- When not in use, machines should be stored in a dry place, out of reach of children. Do not allow persons unfamiliar with these instructions or with the machine to operate it.

### 14. Do not overreach

- Choose a working position that allows your body to remain balanced and feed the work piece in to the machine without overreaching.
- Keep proper footing and balance at all times.

### 15. Electrical supply

- Electrical circuits should be dedicated to each machine or large enough to handle combined motor amp loads. Power outlets should be located near each machine so that power or extension cables are not obstructing high-traffic areas. Observe local electrical guidelines for proper installation of new lighting, power outlets, or circuits.
- The machine must be connected to an earthed power supply.
- The power supply must be equipped with a circuit breaker that provides short circuit, overload and earth leakage protection.
- The voltage of the machine must correspond to the voltage of the mains power supply.
- The mains plug fitted to the machine should always match the power outlet. Do not modify the plug in any way. If a replacement plug is required it should be fitted by a competent person and of the correct type and rating for the machine.
- If you are unsure about any electrical connections always consult a qualified electrician.

### 16. Avoid unintentional starting of the machine

- Most machines are fitted with a no-volt release (NVR) switch to prevent unintentional starting. If in doubt always ensure the machine switch is in the 'OFF' position before connecting it to the power supply. This means the machine will not automatically start up after a power cut or switching on of the power supply, unless you first reset the start switch.

### 17. Outdoor use

- Your machine should not be used outdoors.

### 18. Extension cables

- Whenever possible, the use of extension cables is not recommended. If the use of an extension cable is unavoidable, then it should have a minimum core cross section of 2.5mm<sup>2</sup> and limited to a maximum length of 3 metres.
- Extension cables should be routed away from the direct working area to prevent a trip hazard.

### 19. Guard against electric shock

- Avoid body contact with earthed or grounded surfaces such as pipes and radiators. There is an increased risk of electric shock if your body is earthed or grounded.

### 20. Always work within the machine's intended capacities

- Operator safety and machine performance are seriously adversely affected if attempts to make the machine perform beyond its limits are made.

### 21. Do not abuse the power cable

- Never pull the power cable to disconnect it from the power socket. Always use the plug.
- Keep the power cable away from heat, oil and sharp edges.
- Do not use the power cable for carrying or moving the machine.

### 22. Secure the work piece

- Ensure that the work piece is securely held before starting to machine it.
- When working within 300 mm of the machining area, always use a push stick to feed the work piece in to the blade or cutting tool. The push stick should have a minimum length of 400 mm. If the push stick becomes damaged, replace it immediately.
- Use extra supports (roller support stands etc.) for any work pieces large

enough to tip when not held down to the table top.

- Do not use another person as a substitute for a table extension, or as additional support for a work piece that is longer or wider than the basic table, or to help feed, support, or pull the work piece.
- Do not attempt to machine more than one work piece at a time.
- When feeding the work piece towards the blade or cutting tool never position your hands in direct line of the cutting path. Avoid awkward operations and hand positions where a sudden slip could cause your hand or fingers to move into the machining area.

### 23. Stay alert

- Safety is a combination of operator common sense and alertness at all times when the machine is being used.
- Use all machines with extreme care and do not use the machine when you are tired or under the influence of drugs, alcohol or medication.

### 24. Use the correct tool for the job

- Do not use the machine for any purpose other than which it was designed.
- When selecting replacement cutting tools and blades, always ensure that they are designed to cut the material that you intend to use them for. If in any doubt seek further advice from the manufacturer.

### 25. Connect dust extraction equipment

- Always use dust extraction equipment. The dust extractor should be of suitable size and capacity for the machine that it is connected to and have a filtration level appropriate to the type of waste being collected. Refer to the relevant section of the manual for details of the specific dust extraction requirements for this machine.
- The dust extractor should be switched 'ON' before starting the machine that it is connected to. The dust extractor should be left running for 30 seconds after the last machining operation is complete in order to clear any residual waste from the machine.

### 26. Ensure that the machine is correctly guarded

- Never use the machine if any of the standard safety guards and equipment are removed or damaged.
- Some machines incorporate safety interlocks to prevent the machine from being used without the guards in place. Never attempt to bypass or modify the interlocks to allow the machine to be used without the guards in place.

### 27. Maintain your machine with care

- This manual gives clear instructions on installation, set up and operation of the machine and also details any routine and preventative maintenance that should be performed periodically by the user.
- Remember always to switch off and unplug the machine from the power supply before carrying out any setting up or maintenance operations.
- Follow any instructions for the maintenance of accessories and consumables.
- Do not use compressed air to clean the machine. Always use a brush to dislodge dust in places that are awkward to reach and a dust extractor to collect the waste.
- Inspect electric cables periodically and, if damaged, have them replaced by an authorised service facility or qualified electrician.
- Inspect extension cables (if used) periodically and replace if damaged.

### 28. Keep cutting tools sharp and clean

- Correctly maintained cutting tools are easier to control and less likely to bind.
- Cutting tools and blades can become hot during use. Take extreme care when handling them and always allow them to cool before changing, adjusting or sharpening them.

### 29. Disconnect the machine from the power supply

- When not in use, before servicing, changing blades etc. always disconnect the machine from the power supply.

### 30. Check for damaged parts

- Before each use of the machine, it should be carefully checked to determine that it will operate properly and perform its

## 2. General Health and Safety Guidance

intended function.

- Check for alignment of moving parts, binding of moving parts, breakage of parts and any other conditions that may affect the operation of the machine.
- A guard or other part that is damaged should be properly repaired or replaced by a qualified person unless otherwise indicated in this instruction manual.
- Do not use the machine if the switch does not turn the machine 'ON' and 'OFF'.
- Have defective switches replaced by a qualified person.

### **31. Warning!**

- The use of any accessory or attachment, other than those recommended in this instruction manual, or recommended by our Company may present a risk of personal injury or damage to the machine and invalidation of

the warranty.

### **32. Have your machine repaired by a qualified person**

- This machine complies with the relevant safety rules and standards appropriate to its type when used in accordance with these instructions and with all of the standard safety guards and equipment in place. Only qualified persons using original spare parts should carry out repairs. Failure to do this may result in considerable danger to the user and invalidation of warranty.

### **33. Caution! Motor may become hot during use**

- It is normal for motors on some machines to become hot to the touch during use. Avoid touching the motor directly when in use.

# 3. Additional Health and Safety Guidance for High Filtration Dust Extractors

## 1. Safe Operation

- Floor standing dust extractors should be positioned on a level floor. Ensure that there is no debris between the base of the extractor and the floor.
- Wall mounted dust extractors, or those used with an optional wall mounting bracket, should be fixed to a solid block or brick wall using suitable fixings that will withstand the weight of the machine. If fixing to a studded wall, care should be taken to locate the fixings in to the studding of the wall. Plasterboard alone is not strong enough to withstand the weight of the machine.
- When wall mounting the dust extractor always consider its gross weight when full of waste in order to select the correct type of fixings.
- Never place the dust extractor on a raised surface or workbench.
- In all cases, position the dust extractor as close as possible to the application it is to be used for.
- It may be necessary to increase the length or reduce the diameter of the extraction hose to suit the application. Never over stretch the hose to make it reach.
- The strength of suction alone may cause the dust extractor to be pulled in the direction of the hose, particularly if the hose has been over stretched or if an optional wheel kit is fitted. Never stand directly between the dust extractor and the machine that it is connected to.

## 2. Familiarise yourself with the machine

- If you are not thoroughly familiar with dust extractors, be aware of the inherent risks due to the way in which these machines work. There are moving parts inside the machine that can cause serious injury. Always strictly follow any safety instructions detailed in the manual when using, emptying or servicing the machine.

## 3. Before switching the machine 'ON':

- Remove the transit strap, which is used to secure the lid assembly to the drum body, before use. Never use the machine with this strap fitted as it is designed purely to protect the machine during transit.
- Ensure that the switch of the machine is in the 'OFF' position before connecting or disconnecting the power supply.
- Ensure that the extraction hose is securely fitted to the outlet of the dust extractor.
- Always ensure that the cartridge and paper filter are securely and correctly positioned before using the dust extractor. Failure to do so will result in dust being sucked into the motor. Always ensure a good seal between the filter and motor enclosure.
- Check that the drum filter is in place (certain models only) before replacing the lid of the machine.
- Check that the dust collection bag (certain models only) is secure and not damaged. If damaged, replace the collection bag before starting the machine.

## 4. Whilst using the dust extractor:

- Do not completely cover the end of the extraction hose as the machine may be pulled in the direction of the hose.
- Do not attempt to remove the lid assembly from the drum body.
- Do not attempt to use the dust extractor without the extraction hose fitted to the inlet on the drum body.
- This product is for dry use only and should not be used or stored outdoors or in wet conditions.
- All Record Power dust extractors are designed solely for use with wood dust and chippings. Do not use the machine to remove vapours, fumes, gases or other materials such as plaster dust, as there is a risk of combustion. Doing so will invalidate the warranty and may result in damage to the machine or serious injury to the user.
- Do not use the machine to pick up hazardous dust.

- If the hose becomes blocked, switch the machine 'OFF' immediately to prevent any damage to the machine and disconnect from the power supply before removing the blockage. Never attempt to place your hand inside the hose or inlet of the dust extractor whilst it is running.
- Do not pick up liquids and scrap metal (such as nails and filings) or any combustible substance.
- Ensure that the machine is used in a well ventilated area.
- When emptying the machine, a face covering must be worn to protect from potentially hazardous wood dust.

## 5. Avoiding fires:

- Wood dust is combustible and when suspended in the air, it may form a cloud which can explode if the air concentration is higher than 40g/m<sup>3</sup>.
- Sparks can smolder in dust for a long time before fire or flame is detected. If metal contacts metal during operation, immediately switch the machine 'OFF', disconnect the power cable from the mains supply and wait for the motor to come to a complete stop. Empty the dust into an approved air tight metal container in case of spark. Remedy the metal to metal contact problem before resuming operation.
- Do not operate the dust extractor in environments containing explosive risks, such as pilot lights, open flames, vapours, gases or high levels of airborne dust.

## 6. Maintenance:

- Always switch the machine 'OFF', disconnect from the power supply and wait until the motor has completely stopped before carrying out any routine maintenance such as emptying waste or replacing filters.
- When replacing the filters, keep your hands away from the fan blade within the motor.
- A paper filter must always be fitted to the cartridge filter as this filters particles as small as 0.5 microns and provides protection from fine dust which is most hazardous to health.
- Do not switch the head unit 'ON' unless it is attached to the collection drum or body unit. The centrifugal force created by the motor will cause the head to rotate very quickly and can cause serious personal injury.
- If the machine becomes hot during use this means the filters are blocked and need to be cleaned. Any damage to the machine caused by blocked filters will not be covered under warranty.

7. The elimination or control of risks from wood dust is required by the 'Health and Safety at Work etc. Act 1974', the 'Provision and Use of Work Equipment Regulations 1998' and the 'Control of Substances Hazardous to Health (COSHH) Regulations 2002'. We recommend that you study and follow these regulations.

Further guidance can be obtained from The Health and Safety Executive and their website [www.hse.gov.uk](http://www.hse.gov.uk).

# 4. Record Power Guarantee

“**Products**” means the Products sold by Record Power subject to these terms and conditions;

“**Record Power**” is Record Power Limited, whose company registration number is 4804158 and registered office address is Centenary House, 11 Midland Way, Barlborough Links, Chesterfield, Derbyshire S43 4XA and sells through a network of Authorised Dealers;

“**Authorised Distributor**” is the nominated importer for your region who will generally sell through a network of Authorised Dealers. Details of Authorised Distributors for specific countries can be found in the Product manual or at [www.recordpower.info](http://www.recordpower.info);

“**Authorised Dealer**” is a retailer or business authorised to sell Record Power Products to end users.

## 1 Guarantee

- 1.1 Record Power guarantees that for a period of 5 years from the date of purchase the components of qualifying Products (see clauses 1.2.1 to 1.2.9) will be free from defects caused by faulty construction or manufacture.
- 1.2 During this period Record Power, its Authorised Distributor or Authorised Dealer will repair or replace free of charge any parts which are proved to be faulty in accordance with paragraphs 1.1 above provided that:
  - 1.2.1 you follow the claims procedure set out in clause 2 below;
  - 1.2.2 Record Power, our Authorised Distributor or Authorised Dealer are given a reasonable opportunity after receiving notice of the claim to examine the Product;
  - 1.2.3 if asked to do so by Record Power, its Authorised Distributor or Authorised Dealer, you return the Product, at your own cost, to Record Power’s premises or other approved premises such as those of the Authorised Distributor or supplying Authorised Dealer, for the examination to take place;
  - 1.2.4 the fault in question is not caused by industrial use, accidental damage, fair wear and tear, wilful damage, neglect, incorrect electrical connection, abnormal working conditions, failure to follow our instructions, misuse, or alteration or repair of the Product without our approval;
  - 1.2.5 the Product has been used in a domestic environment only;
  - 1.2.6 the fault does not relate to consumable Products such as blades, bearings, drive belts or other wearing parts which can reasonably be expected to wear at different rates depending on usage (for full details contact Record Power or your local Authorised Distributor);
  - 1.2.7 the Product has not been used for hire purposes, by you or by a previous owner;
  - 1.2.8 the Product has been purchased by you as the guarantee is not transferable from a private sale.
  - 1.2.9 where the Product has been purchased from a retailer, the 5 year guarantee is transferable and begins on the date of the first purchase of the Product and in the event of a claim under this guarantee proof of the original purchase date will be required to validate the warranty period.

## 2 Claims Procedure

- 2.1 In the first instance please contact the Authorised Dealer who supplied the Product to you. In our experience many initial problems with machines that are thought to be due to faulty parts are actually solved by correct setting up or adjustment of the machines. A good Authorised Dealer should be able to resolve the majority of these issues much more quickly than processing a claim under the guarantee.
- 2.2 Any damage to the Product resulting in a potential claim under the guarantee must be reported to the Authorised Dealer from which it was purchased within 48 hours of receipt.
- 2.3 If the Authorised Dealer who supplied the Product to you has been unable to satisfy your query, any claim made under this Guarantee should be made directly to Record Power or its Authorised Distributor (for details of the Authorised Distributor in your country please see your Product manual or check [www.recordpower.info](http://www.recordpower.info) for details). The claim itself should be made in a letter setting out the date and place of purchase, and giving a brief explanation of the problem which has led to the claim. This letter should then be sent with proof of the purchase date (preferably a receipt) to Record Power or its Authorised Distributor. If you include a phone number or email address this will help to speed up your claim.
- 2.4 Please note that it is essential that the letter of claim reaches Record Power or its Authorised Distributor on the last day of this Guarantee at the latest. Late claims will not be considered.

## 3 Limitation of Liability

- 3.1 We only supply Products for domestic and private use. You agree not to use the Product for any commercial, business or re-sale purposes and we have no liability to you for any loss of profit, loss of business, business interruption or loss of business opportunity.
- 3.2 This Guarantee does not confer any rights other than those expressly set out above and does not cover any claims for consequential loss or damage. This Guarantee is offered as an extra benefit and does not affect your statutory rights as a consumer.

## 4 Notice

This Guarantee applies to all Products purchased from an Authorised Dealer of Record Power within the United Kingdom of Great Britain and Northern Ireland. Terms of Guarantee may vary in other countries – please check with the Authorised Distributor in your country (details of the Authorised Distributor for your country can be found in the manual or at [www.recordpower.info](http://www.recordpower.info)).

# 5. Specifications

## **CGV286-3** 36 L 1kW Compact Extractor

UK **104700**, AUS **104710**, EU **104720**

Filtration: 0.5 microns

Air Flow: 54 litres / second

Capacity: 36 litres

Motor: 1 kW

Inlet Diameter: 4"

Weight: 8.5 kg

Size: W355 x D355 x H455 mm

Sound level with exhaust cover: 73.6 dB

Sound level with hose: 68.7 dB

## **CGV286-4** 36 L 2 x 1kW Compact Extractor

UK **104770**, EU **104780**

Filtration: 0.5 microns

Air Flow: 108 litres / second

Capacity: 36 litres

Motor: 2 x 1 kW

Inlet Diameter: 4"

Weight: 11 kg

Size: W355 x D355 x H455 mm

Sound level with exhaust cover: 82.4 dB

Sound level with hose: 75.1 dB

## **CGV286-3-WALL** 150 L 2 x 1kW Compact Wall Mounted Extractor

UK **104730**, AUS **104740**, EU **104750**, US **104760**

Filtration: 0.5 microns

Air Flow: 108 litres / second

Capacity: 150 litres

Motor: 2 x 1 kW

Inlet Diameter: 4"

Weight: 13 kg

Size: W355 x D385 x H930 mm

Sound level with exhaust cover: 82.4 dB

Sound level with hose: 75.1 dB

## **CGV336-3** 55 L 1kW Medium Extractor

UK **104790**, EU **104800**

Filtration: 0.5 microns

Air Flow: 54 litres / second

Capacity: 55 litres

Motor: 1 kW

Inlet Diameter: 4"

Weight: 10.5 kg

Size: W355 x D355 x H680 mm

Sound level with exhaust cover: 73.6 dB

Sound level with hose: 68.7 dB

## **CGV336-4** 55 L 2 x 1kW Medium Extractor

UK **104810**, AUS **104820**, EU **104830**, US **104840**

Filtration: 0.5 microns

Air Flow: 108 litres / second

Capacity: 55 litres

Motor: 2 x 1 kW

Inlet Diameter: 4"

Weight: 13 kg

Size: W355 x D355 x H680 mm

Sound level with exhaust cover: 82.4 dB

Sound level with hose: 75.1 dB

## **CGV386-5** 90 L 2 x 1kW Large Extractor

UK **104850**, AUS **104860**, EU **104870**

Filtration: 0.5 microns

Air Flow: 108 litres / second

Capacity: 90 litres

Motor: 2 x 1 kW

Inlet Diameter: 4"

Weight: 17 kg

Size: W465 x D465 x H630 mm

Sound level with exhaust cover: 82.4 dB

Sound level with hose: 75.1 dB

## **CGV386-6** 90 L 3 x 1kW Large Extractor

UK **104880**, AUS **104890**, EU **104900**, US **104910**

Filtration: 0.5 microns

Air Flow: 162 litres / second

Capacity: 90 litres

Motor: 3 x 1 kW

Inlet Diameter: 4"

Weight: 19.5 kg

Size: W465 x D465 x H630 mm

Sound level with exhaust cover: 82.8 dB

Sound level with hose: 75.6 dB

## **CGV486-6** 200 L 3 x 1kW Heavy Duty Extractor

UK **104930**, EU **104940**

Filtration: 0.5 microns

Air Flow: 162 litres / second

Capacity: 200 litres

Motor: 3 x 1 kW

Inlet Diameter: 4"

Weight: 28.5 kg

Size: W600 x D600 x H925 mm

Sound level with exhaust cover: 82.8 dB

Sound level with hose: 75.6 dB



# 6. Contents of the Packages



- 1 CamVac series high filtration dust extractor with cloth drum filter bag installed
- 2 Cloth motor filter bag\*
- 3 Paper motor filter bag\*
- 4 150 x 12 mm rubber band\*
- 5 Clear waste bag\*\*
- 6 Wall mounting bracket\*\*
- 7 Elasticated cord\*\*
- 8 **ZAMV** 2 metres of 100 mm dust extraction hose
- 9 **105100** bayonet hose fitting
- 10 **DX100X** 100 mm easy fit hose cuff

\* One item supplied per motor

\*\* Supplied with the **CGV286-3-WALL** only

# 7. Assembly



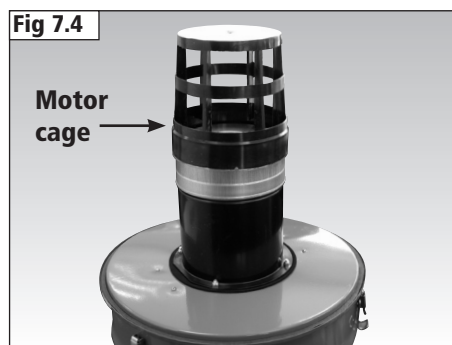
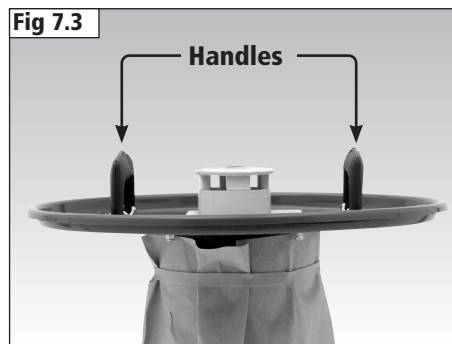
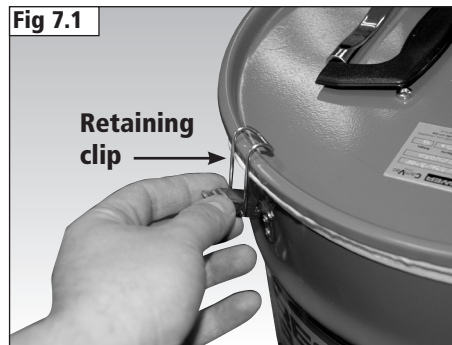
**The extractor must be disconnected from the power source and the power switch in the off position during assembly and maintenance.**

The **CGV286**, **CGV286-3-WALL** and **CGV336** models feature retaining clips to secure the head to the body. Release the 3 retaining clips as shown in **Fig 7.1** and remove the head using the 2 handles as shown in **Fig 7.3**.

The **CGV386** and **CGV486** models feature a retaining strap to secure the head to the body. Release the retaining strap handle as shown in **Fig 7.2**, remove the strap then remove the head using the 2 handles as shown in **Fig 7.3**.

Turn the head upside down and place onto the extractor drum as shown in **Fig 7.4**.

Place the cloth motor filter bag over the motor cage as shown in **Fig 7.5**.





# 7. Assembly

Place the paper motor filter bag over the cloth motor filter bag as shown in **Fig 7.6** and secure in place using the rubber band.

Refit the head to the machine and secure in place with the 3 retaining clips.

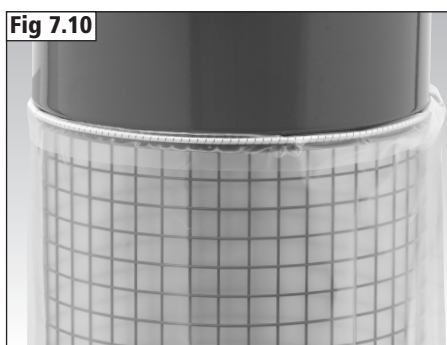
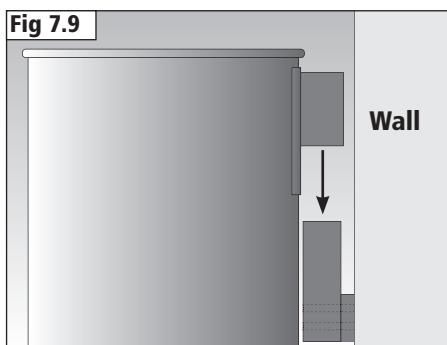
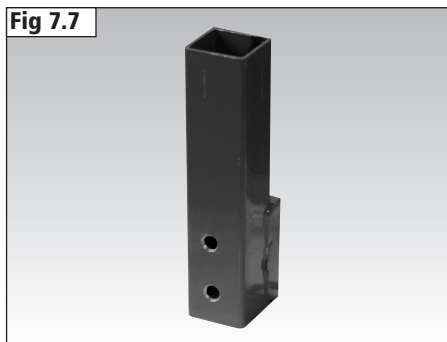
## Installing the CGV286-3-WALL Wall-Mounted Extractor

Attach the mounting bracket to the wall using suitable fixings (not supplied) and ensure it is oriented as shown in **Fig 7.7** so the mounting holes are at the bottom.

The mounting bracket sits inside the mounting plate on the back of the machine, **Fig 7.8**.

To install the machine to the wall place the mounting plate over the mounting bracket as shown in **Fig 7.9**.

To complete assembly and installation of the wall mounted models attach the waste collection bag to the outside of the cage and secure in place with the elasticated cord as shown in **Fig 7.10**.



# 7. Assembly

## Attaching the Bayonet Hose Fitting to the 4" Diameter Hose

Attach one end of the hose onto the plain end of the bayonet hose fitting, making sure that the end of the hose is touching the central collar, **Fig 7.11**.

## Attaching the Bayonet Hose Fitting to the Bayonet Inlet

Place the bayonet hose fitting inside the bayonet inlet, making sure that the male connection points are correctly aligned with the female connection slots on the inlet, **Fig 7.12** and **Fig 7.13**.

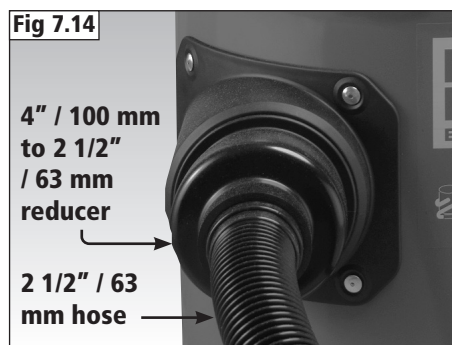
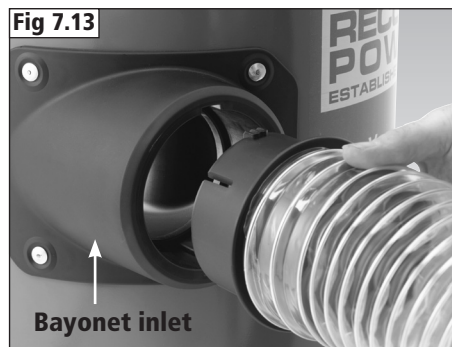
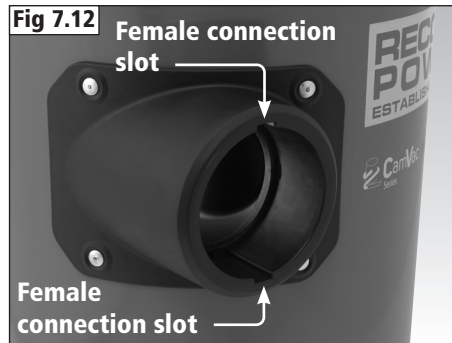
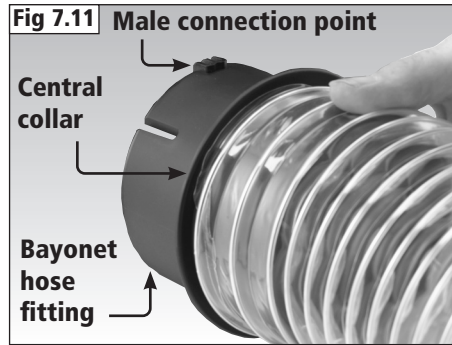
Once attached, rotate the bayonet hose fitting clockwise to lock in position. To unlock, rotate anti-clockwise.

## Fitting the 2 1/2" / 63 mm Diameter Hose to the Bayonet Inlet

Attach the optional **40025** 4" / 100 mm to 2 1/2" / 63 mm reducer to the plain end of the bayonet hose fitting. Then, attach the 2 1/2" / 63 mm hose into the 4" / 100 mm to 2 1/2" / 63 mm reducer and attach the bayonet hose fitting into the bayonet inlet, **Fig 7.14**.

## Attaching the 4" / 100 mm Diameter Hose to the CGV486-6 Dust Extractor Inlet

Attach the 4" / 100 mm diameter hose to the **CGV486-6** dust extractor inlet using the supplied **DX100X** 4" / 100 mm easy fit hose cuff as shown in **Fig 7.15**.



# 7. Assembly

## Attaching the 2 1/2" / 63 mm Diameter Hose to the CGV486-6 Dust Extractor Inlet

To attach the 2 1/2" / 63 mm diameter hose, the optional **40025** 4" / 100 mm to 2 1/2" / 63 mm reducer must be fitted to the 4" / 100 mm inlet and the hose fitted to the reducer as shown in **Fig 7.16**.

## Using the Motor Exhaust

Each motor of the dust extractor features a motor exhaust as shown in **Fig 7.17**. This reduces the noise level of the machine during operation.

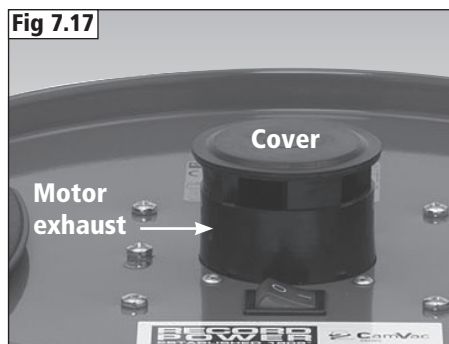
For even greater noise reduction the optional 2 1/2" / 63 mm hose can be fitted as shown in **Fig 7.18** by removing the cover of the motor exhaust and placing the hose inside.

Placing the end of the hose through an outlet such as a window to a separate area will direct the remaining noise outside of the working area.

See **page 9** for sound levels (dB) of each model.

## Connecting the Hose to the Dust Extraction Outlet of the Woodworking Machine

Many woodworking machines feature 4" / 100 mm outlets to allow the 4" / 100 mm hose to be connected directly to the machine. For outlets of other sizes Record Power offer a wide range of adaptors and reducers. Visit your local stockist or go online for details of the full range.



# 8. Assembly of the Optional Wheel Kits

There are 3 sizes of wheel kit available to fit the following models:

**CVA286-27-100** 286 / 336 Castor Set

compatible with:

**CGV286-3** 36 L 1kW Compact Extractor

**CGV286-4** 36 L 2 x 1kW Compact Extractor

**CGV336-3** 55 L 1kW Medium Extractor

**CGV336-4** 55 L 2 x 1kW Medium Extractor

**CVA386-27-100** 386 Castor Set

compatible with:

**CGV386-5** 90 L 2 x 1kW Large Extractor

**CGV386-6** 90 L 3 x 1kW Large Extractor

**CVA486-27-100** 486 Castor Set

compatible with:

**CGV486-6** 200 L 3 x 1kW Heavy Duty  
Extractor

Each wheel kit is supplied fully assembled ready to be fitted to the dust extractor.

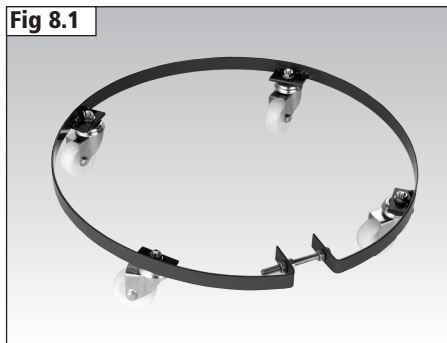
Remove the head of the extractor, empty the drum and turn it upside down as shown in **Fig 8.2** then place the wheel kit inside the rim of the drum as shown.

The wheel kit features 2 adjustment nuts as shown in **Fig 8.3**. Loosen the outer adjustment nut to allow the frame of the wheel kit to expand then use the inner adjustment nut to expand the frame until it is a secure and tight fit inside the rim.

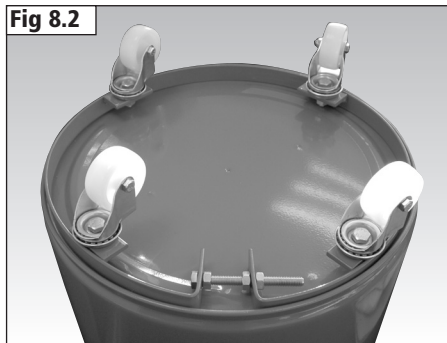
Re-tighten the outer adjustment nut to secure the frame in position as shown in **Fig 8.4**.

The wheel kit should now be installed correctly as shown in **Fig 8.5**.

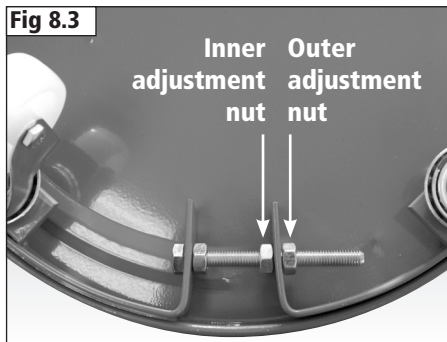
**Fig 8.1**



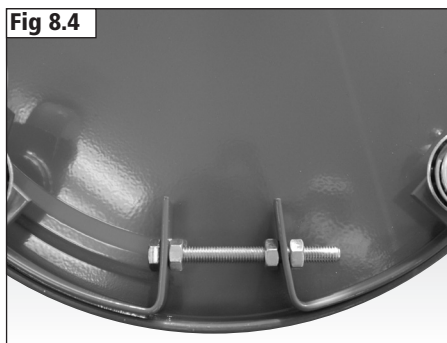
**Fig 8.2**



**Fig 8.3**



**Fig 8.4**



**Fig 8.5**



# 9. Operation



**Always wear suitable personal protective equipment when using woodworking machinery and dust extractors.**

The CamVac series of dust extractors are designed for collecting wood dust and general workshop cleaning. Use caution if collecting sharp objects as they may damage the filters.

The extractors are also suitable for collecting a wider range of waste materials - Please check with your local stockist or call Record Power for full advice.

**Never use the extractor to collect wet waste.**

Ensure that the extractor is connected securely to the waste producing machine.  
Turn the machine on using the switch on the lid of the extractor as shown in **Fig 9.1**.

If the machine has multiple motors any number can be turned on depending on the level of suction required.

The extractors can be used to clean waste material from the floor of the working area. It is highly recommended to use a collection kit for this task but if the 4" / 100 mm or 2 1/2" / 63 mm hose is used always ensure that it is held at an angle as shown in **Fig 9.2**. If the hose comes into full contact with the floor as shown in **Fig 9.3** the machine may be pulled towards the operator.



**Important: The machine must be turned off for 15 minutes after a maximum of 2 hours continuous use to avoid overheating the motor. Failure to comply will invalidate the warranty.**

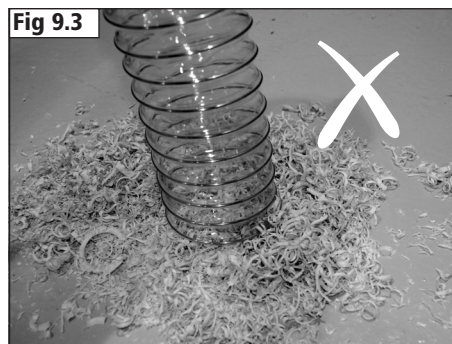
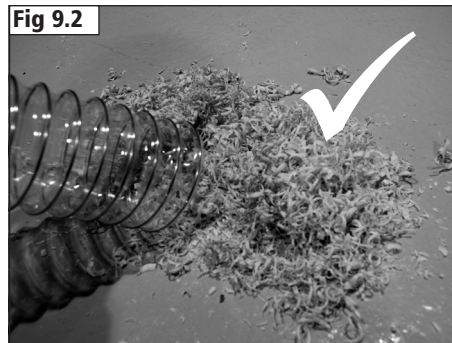
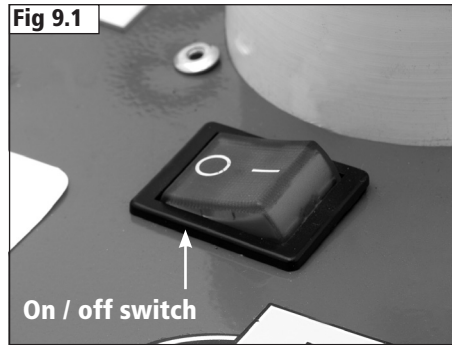
## Restarting of All Machines In the Event of a Blockage

If a blockage in the collection hose of the machine occurs, switch it off immediately by pressing the power switch to the off position and wait for the machine to come to a complete stop before proceeding further.  
Unplug the machine from the power source and remove the blockage from the collection hose. To re-start the machine press the power switch to the on position.

## In the Event of a Power Failure

In the event of a power failure, first turn the power switch to the off position and then locate and rectify the source of the failure. If the fault is within the power circuit of the workshop, there may be an underlying cause (circuit overload etc.) that should be investigated by a qualified electrician, before attempting to restore the power source.

Once the power is restored, the machine can be re-started by pressing the switch to the on position.





# 10. Maintenance



**Always Disconnect the machine from the power source before performing any maintenance tasks.**

## Emptying the Extractor

Regularly empty the extractor to ensure optimum performance and reduce the risk of damage to the motor.

## Maintenance of the Filters



**The paper filter bags should be replaced after a maximum of 20 hours of use.**

**The cloth filter bags should be washed with cold water and dried after a maximum of 20 hours of use. This ensures optimum performance by maximising airflow which greatly reduces the risk of damaging the motor. Failure to maintain the filters as specified will invalidate the warranty.**

To gain access to the filters the head must be removed. The **CGV286**, **CGV286-3-WALL** and **CGV336** models feature retaining clips to secure the head to the body. Release the 3 retaining clips as shown in **Fig 10.1** and remove the head using the 2 handles as shown in **Fig 10.3**.

The **CGV386** and **CGV486** models feature a retaining strap to secure the head to the body. Release the retaining strap handle as shown in **Fig 10.2**, remove the strap then remove the head using the 2 handles as shown in **Fig 10.3**.

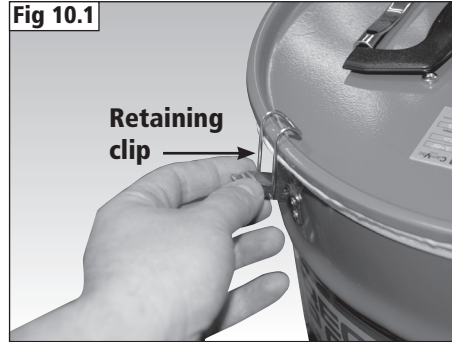
Turn the head upside down and place onto the extractor drum as shown in **Fig 10.4**.

## Maintenance of the Motor

After approximately 1000 hours use the carbon brushes of the motor should be replaced.

To access the motor remove the 4 bolts that hold it to the head of the extractor as shown in **Fig 10.5** using a Phillips screwdriver and 8 mm wrench.

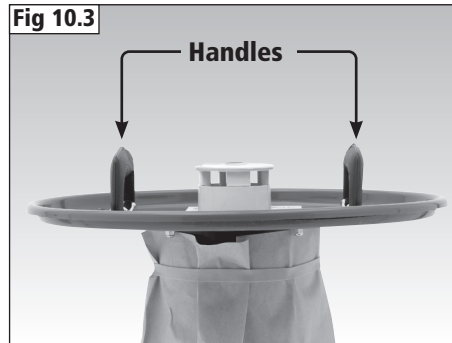
**Fig 10.1**



**Fig 10.2**



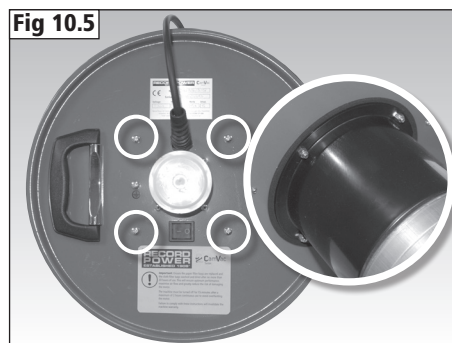
**Fig 10.3**



**Fig 10.4**



**Fig 10.5**

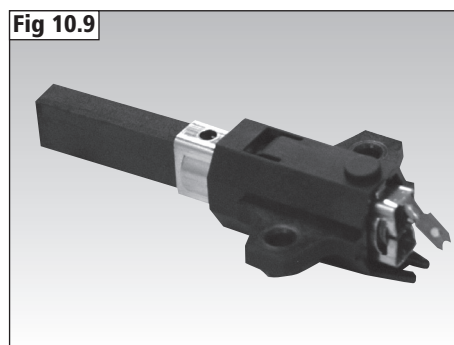
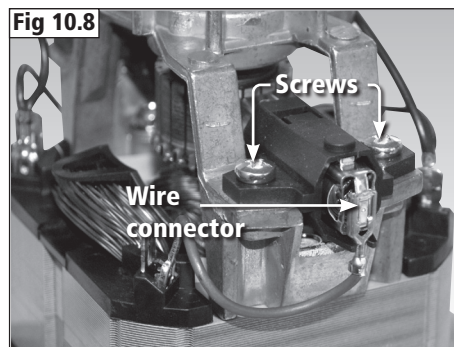
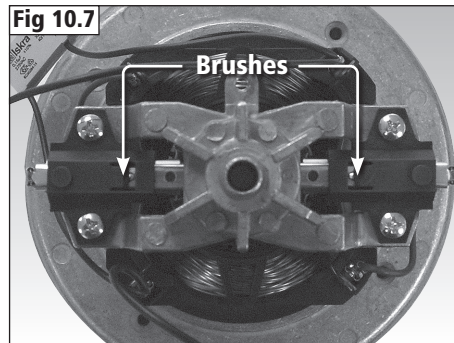
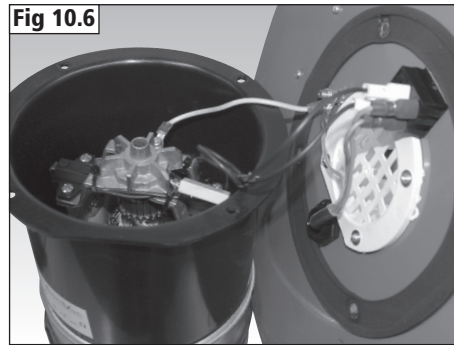


# 10. Maintenance

Carefully position the head to the side of the motor as shown in **Fig 10.6**. The brushes are housed on opposing sides of the motor as shown in **Fig 10.7**. Always replace both brushes together to ensure optimum motor performance.

Using a Phillips screwdriver remove the 2 screws that hold each brush to the motor as shown in **Fig 10.8**, carefully remove the wire connectors from the rear of the brushes and remove the brushes.

Replace with new brushes, **Fig 10.9**, and re-assemble the motor to the housing and extractor head.





# 11. Consumable Products

In addition to the consumables shown Record Power offer a wide range of hose, accessories, adaptors and system fittings. Visit your local stockist or go online to view the full range.

To fit: **CGV286-3** 36 L 1kW Compact Extractor and **CGV286-4** 36 L 2 x 1kW Compact Extractor

**CVG170-100** Cloth Motor Filter Bag

**CVG170-101** Packet of Paper Filter Bags

**CVG260-100** Rubber Band

**CVA286-20-101** 36/55/150L Cloth Drum Filter Bag

To fit: **CGV286-3-WALL** 150 L 2 x 1kW Compact Wall Mounted Extractor

**CVG170-100** Cloth Motor Filter Bag

**CVG170-101** Packet of Paper Filter Bags

**CVG260-100** Rubber Band

**CVA286-20-101** 36/55/150L Cloth Drum Filter Bag

**CVG170-102** Clear Waste Bag

To fit: **CGV336-3** 55 L 1kW Medium Extractor and **CGV336-4** 55 L 2 x 1kW Medium Extractor

**CVG170-100** Cloth Motor Filter Bag

**CVG170-101** Packet of Paper Filter Bags

**CVG260-100** Rubber Band

**CVA286-20-101** 36/55/150L Cloth Drum Filter Bag

To fit: **CGV386-5** 90 L 2 x 1kW Large Extractor and **CGV386-6** 90 L 3 x 1kW Large Extractor

**CVG170-100** Cloth Motor Filter Bag

**CVG170-101** Packet of Paper Filter Bags

**CVG260-100** Rubber Band

**CVA386-20-101** 90 L Cloth Drum Filter Bag

To fit: **CGV486-6** 200 L 3 x 1kW Heavy Duty Extractor

**CVG170-100** Cloth Motor Filter Bag

**CVG170-101** Packet of Paper Filter Bags

**CVG260-100** Rubber Band

**CVA486-20-101** GV486 Cloth Drum Filter Bag



**CVG170-100**



**CVG260-100**



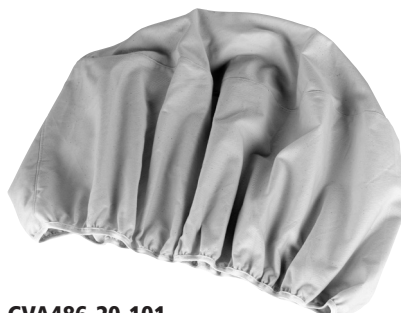
**CVG170-101**



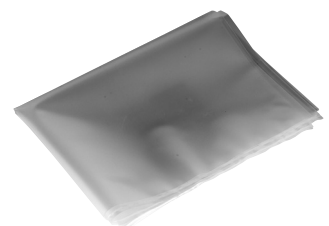
**CVA286-20-101**



**CVA386-20-101**



**CVA486-20-101**



**CVG170-102**

# 12. Dust Extraction

## The Importance of Dust Extraction

Suitable dust extraction is essential to avoid the possibility of serious health problems related to wood dust. It is also necessary in order to ensure the waste producing machine performs safely and effectively. Some woods are extremely toxic and in addition to suitable dust extraction machines it is recommended that PPE such as respirators are also used.

## Record Power Dust Extraction Machines

Below is a summary of the Record Power range. Please visit your local stockist or go online for full details.

### CGV286 CamVac Series Compact Extractor

36 litre capacity, 1 kW single or twin motor, 0.5 micron filtration. Includes hose.

### CGV286-3-WALL CamVac Series Wall Mounted Extractor

150 litre capacity, twin motor, 0.5 micron filtration. Includes hose.

### CGV336 CamVac Series Medium Extractor

55 litre capacity, 1 kW single or twin motor, 0.5 micron filtration. Includes hose.

### CGV386 CamVac Series Large Extractor

90 litre capacity, 1 kW twin or triple motor, 0.5 micron filtration. Includes hose.

### CGV486 CamVac Series Heavy Duty Extractor

200 litre capacity, 1 kW triple motor, 0.5 micron filtration. Includes hose.

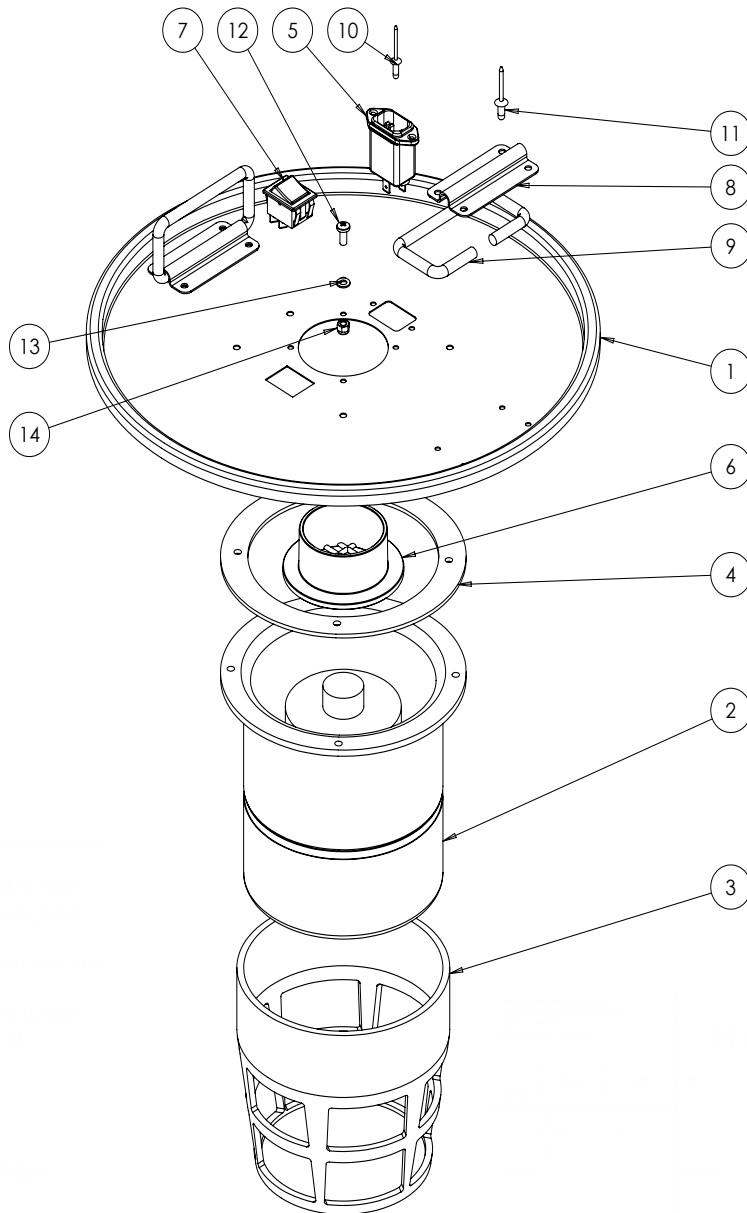
### AC400 2 Stage Air filter with Remote, 3 speeds and Time Delay

Collects airborne dust, 1 micron filtration.

	Bandsaws	Table Saws	Planer Thicknessers	Lathes	Sanding Machines	Dust Extraction Systems	Airborne Dust Collection
CGV286	✓	✓	✓	✓	✓		
CGV286-3-WALL	✓	✓	✓	✓	✓	✓	
CGV336	✓	✓	✓	✓	✓		
CGV386	✓	✓	✓	✓	✓	✓	
CGV486	✓	✓	✓	✓	✓	✓	
AC400							✓

# 13. Parts Lists and Diagrams

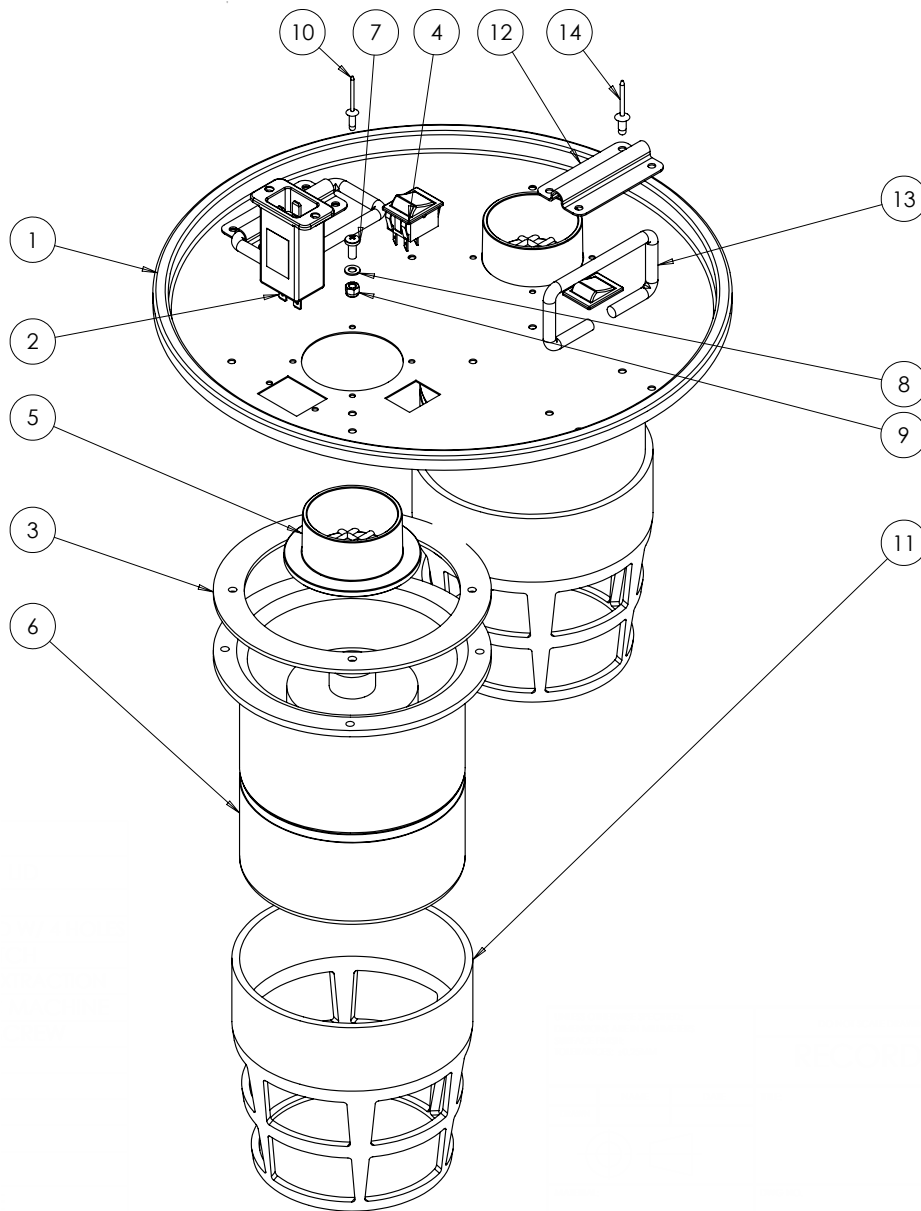
CGV286-1-LID  
CGV336-1-LID



Item	Part Number	Description	Quantity
1	SA0137	Single motor lid for CGV286/336 machine	1
2	CVG180-100RET	Motor assembly for CamVac machine	1
3	CVG310-100	Filter cage	1
4	CVG320-102	3 mm trimseal gasket 1800.D X 140l.D W/ 4 holes	1
5	99249	EMC filter (C14 IEC)	1
6	CVG220-102	Mesh flange for CamVac dust extraction	1
7	CBKS	Illuminated rocker switch	1
8	CVG200-102	286/336 flat plate	2
9	CVG200-101	Lid and drum handle	2
10	CVG240-103	4 mm X 10 mm rivet	4
11	CVG240-104	4.8 mm X 12 mm rivet	8
12	CVG160-108B	M5 x 12 mm pozi pan head screw	4
13	CVG280-102	5 mm washer	4
14	CVG130-106	M5 nylock nut	4

# 13. Parts Lists and Diagrams

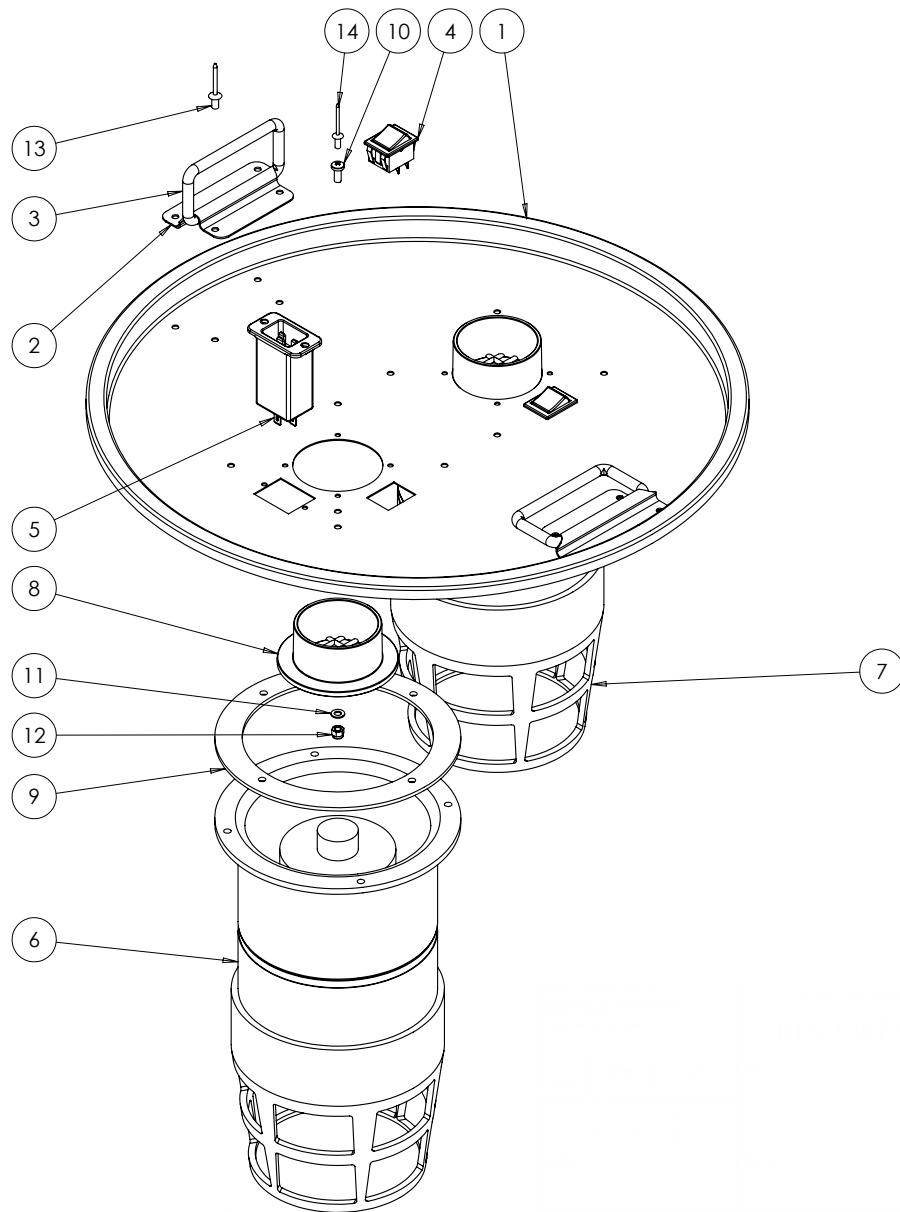
CGV286-2-LID  
CGV336-2-LID



Item	Part Number	Description	Quantity
1	SA0138	CGV286/336 twin motor lid	1
2	99250	EMC filter (C20 IEC)	1
3	CVG320-102	3 mm trimseal gasket 1800.D X 1401.D W/ 4 holes	2
4	CBKS	Illuminated rocker switch	2
5	CVG220-102	Mesh flange for CamVac dust extraction	2
6	CVG180-100RET	Motor assembly for CamVac machine	2
7	CVG160-108B	M5 x 12 mm pozi pan head screw	8
8	CVG280-102	5 mm washer	8
9	CVG130-106	M5 nylock nut	8
10	CVG240-103	4 mm x 10 mm rivet	8
11	CVG310-100	Filter cage	2
12	CVG200-102	286/336 flat plate	2
13	CVG200-101	Lid and drum handle	2
14	CVG240-104	4.8 mm X 12 mm rivet	8

# 13. Parts Lists and Diagrams

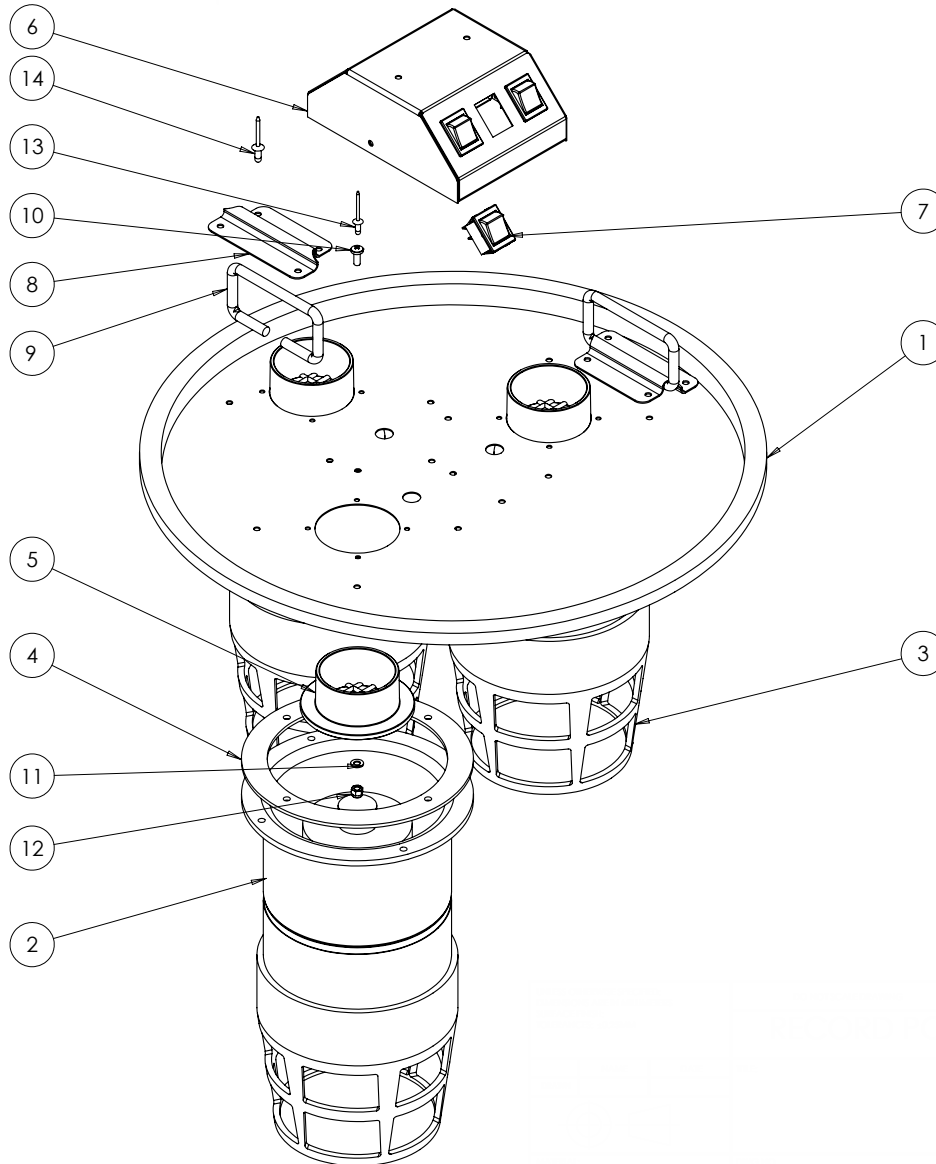
CGV386-5-LID



Item	Part Number	Description	Quantity
1	SA0078	Twin motor 386 lid	1
2	CVG200-102	386 flat plate	2
3	CVG200-101	Lid and drum handle	2
4	CBKS	Illuminated rocker switch	2
5	99250	EMC filter (C20 IEC)	1
6	CVG180-100RET	Motor assembly for CamVac machine	2
7	CVG310-100	Filter cage	2
8	CVG220-102	Mesh flange for CamVac dust extraction	2
9	CVG320-102	3 mm trimseal gasket 1800.D x 1.40I.D w/4 holes	2
10	CVG160-108B	M5 x 12 mm pozi pan head screw	8
11	CVG280-102	5 mm washer	8
12	CVG130-106	M5 nylon nut	8
13	CVG240-104	4.8 mm x 12 mm rivet	8
14	CVG240-103	4 mm x 10 mm rivet	8

# 13. Parts Lists and Diagrams

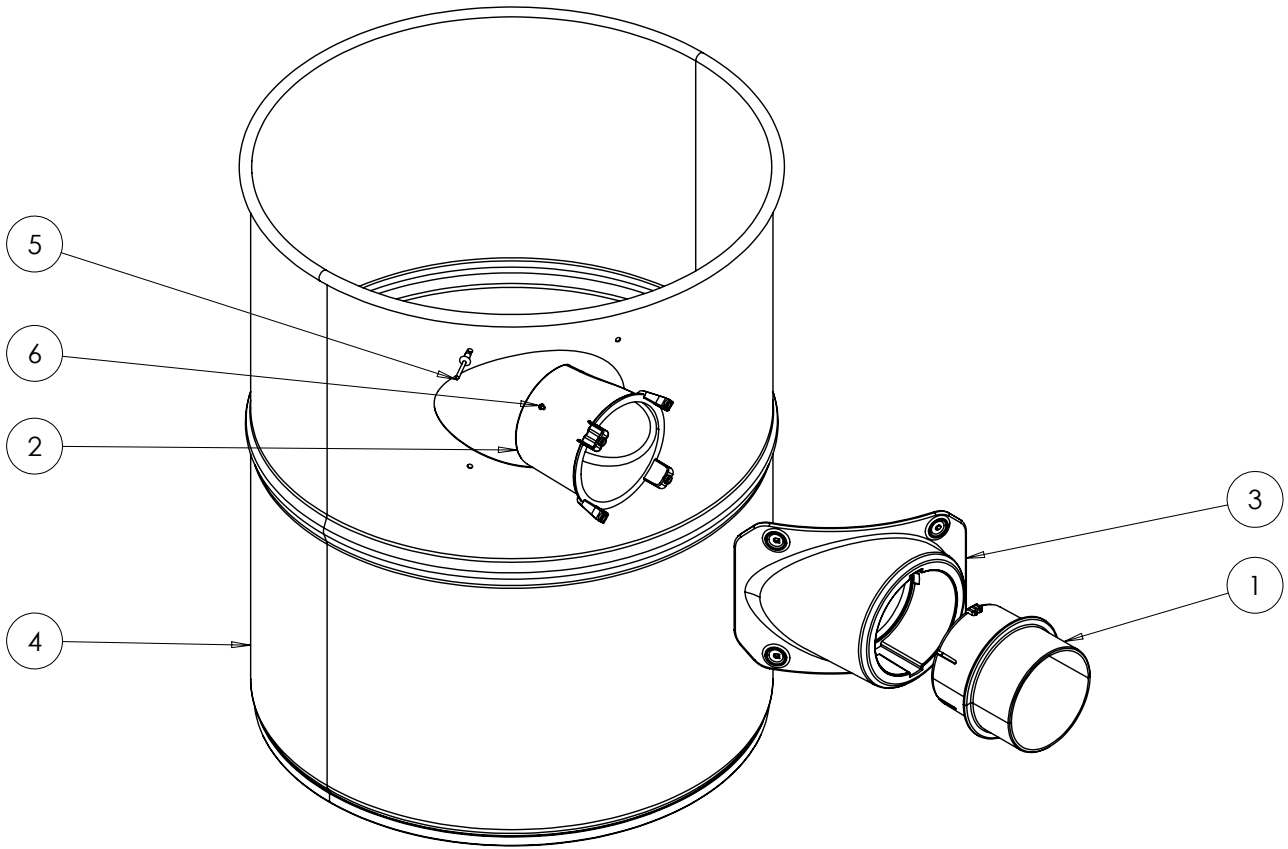
CGV386-6-LID  
CGV486-6-LID



Item	Part Number	Description	Quantity
1	SA0140	Lid (CGV386-6 only)	1
1	SA0140	Lid (CGV486-6 only)	1
2	CVG180-100RET	CamVac motor assembly	3
3	CVG310-100	Filter cage	3
4	CVG320-102	3 mm trimseal gasket 1800.D X 140l.D W/ 4 holes	3
5	CVG220-102	Mesh flange for CamVac dust extraction	3
6		CGV386/CGV486 - 6 switch box assembly	1
7	CBKS	Illuminated rocker switch	3
8	CVG200-103	Flat handle plate	2
9	CVG200-101	Lid and drum handle	2
10	CVG160-108B	M5 x 12 mm pozi pan head screw	12
11	CVG280-102	5 mm washer	12
12	CVG130-106	M5 nylon nut	12
13	CVG240-103	4 mm x 10 mm rivet	12
14	CVG240-104	4.8 mm x 12 mm rivet	8

# 13. Parts Lists and Diagrams

286 / 336 DRUM

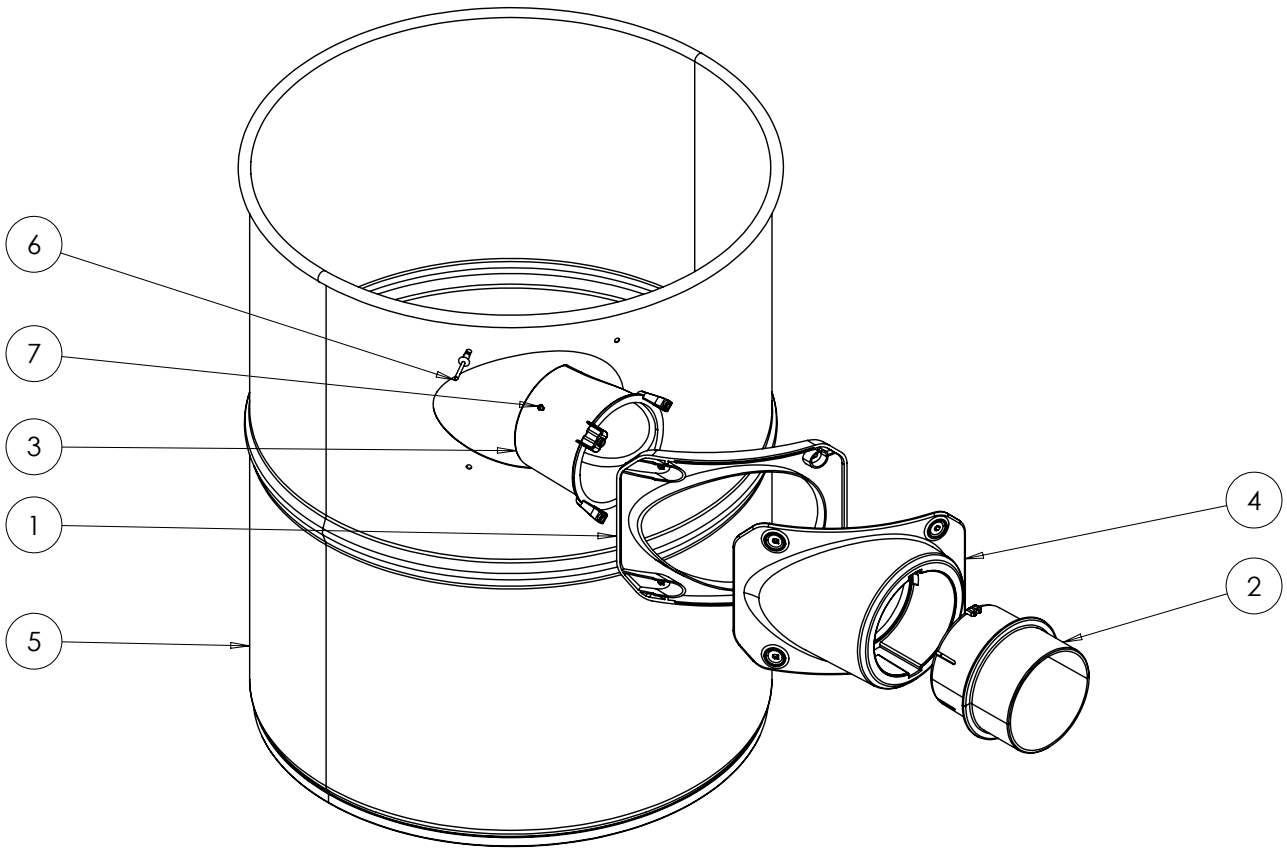


Item	Part Number	Description	Quantity
1	105100	Bayonet hose fitting	1
2	FSW6135	Inlet exhaust	1
3	FSW6133	Inlet body	1
4		Drum	1
5	99299	4 mm x 20 mm large flange rivet	1
6	99300	Plastech 30 3.5 x 20	1



# 13. Parts Lists and Diagrams

## 386 DRUM



Item	Part Number	Description	Quantity
1	FSW6215	386 adaptor plate	1
2	105100	Bayonet hose fitting	1
3	FSW6135	Inlet exhaust	1
4	FSW6133	Inlet body	1
5		Drum	1
6	99299	4 mm x 20 mm large flange rivet	1
7	99300	Plastech 30 3.5 x 20	1

# 14. Electrical Connection and Wiring Diagrams

Machines supplied for use in the UK are fitted with a 3 pin plug conforming to BS1363, fitted with a fuse conforming to BS1362 and appropriate to the current rating of the machine.

Machines supplied for use in other countries within the European Union are fitted with a 2 pin Schuko plug conforming to CEE 7/7.

Machines supplied for use in Australia and New Zealand are fitted with a 3 pin plug conforming to AS/NZS3112.

In all cases, if the supply cord is damaged, it must be replaced by a special cord or assembly available from the manufacturer or its service agent.

## 230 V (Single Phase)

Brown: Live (L)  
 Blue: Neutral (N)  
 Green and Yellow: Earth (E)

The wire coloured brown must always be connected to the terminal marked 'L' or coloured red.

The wire coloured blue must always be connected to the terminal marked 'N' or coloured black.

The wire coloured green and yellow must always be connected to the terminal marked 'E' or with the earth symbol:



or coloured green / green and yellow.

It is important that the machine is effectively earthed. Some machines will be clearly marked with the double insulated logo:



In this case there will not be an earth wire within the circuit.

In the case of the BS1363 plug for use in the UK, always ensure that it is fitted with a fuse conforming to BS1362 appropriate to the rating of the

machine. If replacing the original fuse, always fit a fuse of equivalent rating to the original. Never fit a fuse of a higher rating than the original. Never modify the fuse or fuse holder to accept fuses of a different type or size.

Where the current rating of the machine exceeds 13 A at 230 V, or if the machine is designated for use on a 400 V 3 phase supply a connector conforming to BS4343 (CEE17 / IEC60309) will be used.

230 V machines will be fitted with a blue 3 pin connector. The wiring for this type of this connector will be the same as shown above.

400 V, 3 phase machines will be fitted with a red 4 or 5 pin connector. The wiring for this type of connector is as shown below:

## 400 V (3 phase)

Brown: Live (L1)  
 Black: Live (L2)  
 Grey: Live (L3)  
 Blue: Neutral (N)  
 Green and Yellow: Earth (E)

The wire coloured brown must always be connected to the terminal marked 'L1'.

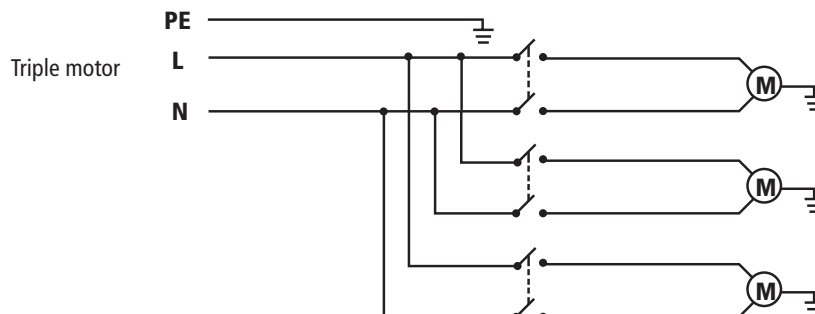
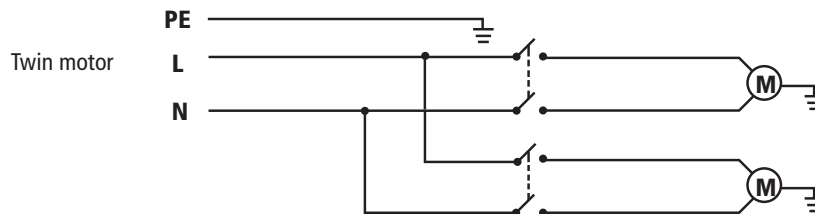
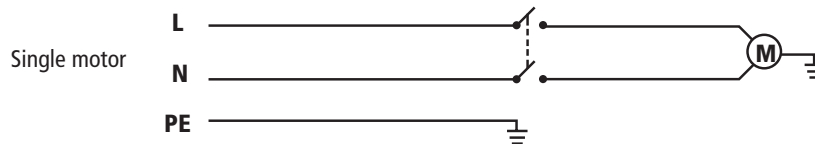
The wire coloured black must always be fitted to the terminal marked 'L2'.

The wire coloured grey must always be connected to the terminal marked 'L3'.

The wire coloured blue must always be connected to the terminal marked 'N' or coloured black.

The wire coloured green and yellow must always be connected to the terminal marked 'E' or with the earth symbol

If in doubt about the connection of the electrical supply, always consult a qualified electrician.



# EC Declaration of Conformity

**Cert No: EC / CamVac / 3**

**RECORD POWER LIMITED,**

Centenary House, 11 Midland Way, Barlborough Links, Chesterfield, Derbyshire S43 4XA  
declares that the machinery described:-

1. Type: **High Filtration Dust Extractor**

2. Model No: **CGV286-3, CGV286-4, CGV336-3, CGV336-4, CGV386-5, CGV386-6, CGV286-3-WALL, CGV486-6**

3. Serial No: **Engineering Sample**

Conforms with the following directives:-

MACHINERY DIRECTIVE: 2006/42/EC  
ADDITIONAL USED EC DIRECTIVES: EMC Directive 2014/30/EU  
USED HARMONIZED STANDARDS: BS EN 55014-1:2006+A2:2011



and complies with the relevant essential health and safety requirements and conforms to the machinery example for which the EC Type-Examination certificate numbers **CGV286-2 221118, CGV336-3 191118** and **CGV386-6 191118** have been issued at: DEM Manufacturing Deltron, Emcon House, Hargreaves Way, Sawcliffe Industrial Park, Scunthorpe, North Lincolnshire DN15 8RF

Signed..... Dated: **06/05/2021** – Chesterfield / U.K.

**Andrew Greensted**  
Managing Director

Technical file held by Andrew Greensted, Record Power Ltd, Centenary House, 11 Midland Way, Barlborough Links, Chesterfield, Derbyshire, S43 4XA, United Kingdom

<table border="1"><tr><td>EC</td><td>REP</td></tr></table>	EC	REP	Record Power B.V., Verlengde Poolseweg 16, 4818 CL BREDA, Netherlands, Tel: +31 76 52 44 766
EC	REP		

# Inhaltsverzeichnis

- 1 Symbolerklärung
  - 2 Allgemeine Gesundheits- und Sicherheitshinweise
  - 3 Zusätzliche Gesundheits- und Sicherheitshinweise für feinflternde Staubabsauganlagen
  - 4 Record Power Garantie
  - 5 Technische Daten
  - 6 Lieferumfang
  - 7 Montage
  - 8 Montage der optionalen Fahrwerke
  - 9 Bedienung
  - 10 Wartung
  - 11 Verbrauchsteile
  - 12 Staubabsaugung
  - 13 Teilliste und Übersichtszeichnungen
  - 14 Elektrischer Schaltplan und Anschlüsse
- EC Konformitätserklärung



Zur Registrierung dieses Produktes besuchen Sie unsere Website unter  
**[www.recordpower.info](http://www.recordpower.info)**

Es ist wichtig, dass Sie Ihr Produkt so schnell wie möglich registrieren, um einen einwandfreien Kundendienst zu bekommen und Anspruch auf die vollen **5 Jahre Garantie** haben. Ihre gesetzlichen Rechte werden davon nicht betroffen. Für detaillierte Kontaktdaten schauen Sie bitte auf der Rückseite.

# 1. Symbolerklärung

Die unten dargestellten Symbole und ihre Bedeutungen können im gesamten Handbuch in Betracht kommen. Bitte stellen Sie sicher, dass Sie die entsprechenden Maßnahmen ergreifen, wo immer die Warnhinweise verwendet werden.

## Verbindliche Anweisungen



Lesen und verstehen Sie die Betriebsanleitung, bevor Sie die Maschine in Betrieb nehmen.



Hinweis für eine Anweisung, die besondere Aufmerksamkeit erfordert



Schutzbrille tragen



Verwendung von Atemschutzgeräten



Gehörschutz tragen



Sicherheitsschuhe tragen



Schutzhandschuhe tragen

## Warnhinweise



Unmittelbare Gefahren, die zu einer ernsten Verletzung von Personen oder Beschädigung der Maschine führen können



Warnung vor gefährlicher elektrischer Spannung



Risiko von Verletzungen durch Heben von schweren Gegenständen



Gefahrenhinweis von schweren Verletzungen durch Flugobjekte



Warnung vor feuergefährlichen Stoffen

# 2. Allgemeine Gesundheits- und Sicherheitshinweise

**Vergewissern Sie sich, dass Sie alle Anweisungen in diesem Handbuch sorgfältig lesen, bevor Sie dieses Produkt montieren, installieren und verwenden. Bewahren Sie dieses Handbuch für künftige Verwendung an einem sicheren Ort auf.**

**ACHTUNG:** Zu Ihrer eigenen Sicherheit sollten Sie nicht versuchen, diese Maschine zu bedienen, bis sie vollständig montiert und nach diesen Anweisungen installiert ist.

**WARNUNG:** Beim Gebrauch von Elektrowerkzeugen immer die grundlegenden Vorsichtsmaßnahmen befolgen, um die Gefahr von Bränden, Stromschlägen und Personenschäden zu reduzieren.

## Sichere Bedienung

### 1. Verwenden Sie persönliche Schutzausrüstung (PSA)

- Bei dem Betrieb von Maschinen können Fremdkörper in Ihre Augen gelangen, was zu schweren Augenschäden führen kann. Schutzbrillen oder anderer geeigneter Augen- oder Gesichtsschutz muss jederzeit verwendet werden. Alltägliche Brillen haben nur schlagfeste Linsen. Es sind keine Schutzbrillen und geben keinen zusätzlichen seitlichen Schutz.
- Verwenden Sie Atemschutzausrüstung (Staubmaske etc.), falls während der Bearbeitung Staub entsteht. Belastungen durch hohen Konzentrationen von Staub, die durch die Bearbeitung von Hartholz, Weichholz und künstlichen Verbundplatten entstehen, können zu schweren gesundheitlichen Problemen führen. Einige importierte Harthölzer verbreiten einen stark reizenden Staub, der ein brennendes Empfinden verursachen kann. Die Verwendung von Atemschutzgeräten ist keine Alternative zur Verwendung von Staubabsaugern. Sie sollte nur als zusätzlicher Schutz verstanden werden.
- Der Einsatz von Ohrstöpseln oder Gehörschutz wird empfohlen, wenn die Maschine in Betrieb ist, insbesondere dann, wenn der Geräuschpegel über 85 dB liegt.
- Tragen Sie geeignete Schutzhandschuhe beim Umgang mit Werkzeugen oder Messern. Handschuhe sollten nicht getragen werden, wenn Sie die Maschine bedienen, da sie sich von den beweglichen Teilen der Maschine verfangen können.
- Rutschfeste Sicherheitsschuhe werden empfohlen, wenn Sie die Maschine bedienen und mit großen Werkstücken hantieren.

### 2. Tragen Sie angemessene Kleidung

- Tragen Sie keine lose Kleidung, Krawatten oder Schmuck, die sich in beweglichen Teilen der Maschine verfangen können.
- Krempeln Sie lange Ärmel bis oberhalb des Ellbogens auf.
- Tragen Sie bei langen Haaren ein Haarnetz oder setzen Sie eine Mütze auf.

### 3. Sicherheitshinweise

- Erkennen und lesen Sie alle Warnhinweise an der Maschine.
- Es ist wichtig, dass alle Aufkleber mit Gesundheits- und Sicherheitshinweisen nicht entfernt, unkenntlich gemacht oder abgedeckt werden. Ersatzaufkleber erhalten Sie bei unserer Kundendienstabteilung.

### 4. Machen sie sich mit der Maschine vertraut

- Wenn Sie nicht gründlich mit dem Betrieb der Maschine vertraut sind, lassen Sie sich Ratschläge von Ihrem Vorgesetzten, Lehrmeister oder einer anderen qualifizierten Person geben oder kontaktieren Sie Ihren Händler für Informationen zu Schulungen. Verwenden Sie dieses Gerät nicht, bis eine angemessene Ausbildung unternommen wurde.

### 5. Vorsicht beim Verschieben oder Positionieren der Maschine

- Einige Maschinen können sehr schwer sein. Stellen Sie sicher, dass der Unterboden im Bereich, wo die Maschine eingesetzt wird, tragfähig ist.
- Die Maschine und die einzelnen Bauteile können schwer sein. Wenden Sie immer eine sichere Hebeteknik an und suchen Sie Hilfe beim Heben schwerer Bauteile. In einigen Fällen kann es erforderlich sein, mechanische Vorrichtungen zu verwenden, um die Maschine innerhalb des Arbeitsbereiches zu positionieren.
- Einige Maschinen haben wahlweise einen Radsatz, damit sie, wenn notwendig, in der Werkstatt manövriert werden können. Es sollte darauf geachtet, dass dieser nach den Anweisungen installiert wird.
- Bedingt durch die Art der Konstruktion einiger Maschinen, können diese einen hohen Schwerpunkt haben, welches diese instabil macht, wenn sie verschoben werden. Extreme Vorsicht ist beim Verschieben jeder Maschine geboten.
- Sollte ein Transport der Maschine notwendig sein, gelten sämtliche Vorsichtsmaßnahmen in Bezug auf die Installation und Handhabung der Maschine. Stellen sie zusätzlich sicher, dass jegliche Fahrzeuge oder Ausrüstung für manuelle Handhabung, die zum Transport verwendet werden, dafür ausreichend geeignet sind.

### 6. Die Maschine sollte zu jeder Zeit eben und stabil sein

- Wenn ein Untergestell oder Unterschrank für die Maschine vorhanden ist, stellen Sie immer sicher, dass die Maschine mit den gelieferten Befestigungen fest montiert wird.
- Falls die Maschine zur Nutzung auf einer Werkbank geeignet ist, vergewissern Sie sich, dass die Werkbank gut konstruiert ist und das Gewicht der Maschine tragen kann. Die Maschine sollte immer sicher mit geeignetem Befestigungsmaterial auf der Werkbank befestigt sein.
- Wo möglich, sollten auf dem Fußboden stehende Maschinen immer so am Boden montiert werden, die der angemessenen Bauart des Bodens entspricht.
- Der Boden sollte fehlerfrei und eben sein. Alle Füße der Maschine sollten auf der Bodenoberfläche anliegend befestigt werden. Wenn dies nicht der Fall ist, positionieren Sie die Maschine an eine besser geeignete Stelle oder verwenden Ausgleichsscheiben zwischen den Füßen und der Bodenoberfläche, um einen stabilen Stand der Maschine zu gewährleisten.

### 7. Entfernen Sie Einstellschlüssel und Schraubenschlüssel

- Stellen Sie sicher, dass alle Werkzeugschlüssel und Einstellwerkzeuge vor dem Einschalten der Maschine „ON“ entfernt werden. Es besteht die Gefahr von schweren Verletzungen oder Schäden an der Maschine durch herausfliegende Gegenstände.

### 8. Vor dem Einschalten der Maschine „ON“

- Entfernen Sie alle Gegenstände (Werkzeuge, Restabfallstücke etc.) vom Maschinentisch.
- Stellen Sie sicher, dass sich keine Überreste zwischen dem Werkstück und dem Tisch und der Arbeitsauflage befinden.
- Stellen Sie sicher, dass das Werkstück nicht gegen das Sägeblatt oder Schneidwerkzeug gedrückt wird, oder dieses berührt.
- Prüfen Sie alle Klemmen, Haltevorrichtungen und Anschläge, um sicherzustellen, dass sie fest sind und sich nicht während der Bearbeitung bewegen.
- Planen sie den Ablauf, wie Sie das Werkstück die gesamte Bearbeitungszeit über festhalten und zuführen.

### 9. Während der Bearbeitung

- Vor Arbeitsbeginn, beobachten Sie die laufende Maschine. Wenn ungewohnte Geräusche oder übermäßige Vibrationen auftreten, schalten Sie die Maschine sofort „OFF“ (AUS) und trennen sie vom Stromnetz. Starten Sie die Maschine nicht wieder, bis die Ursache des Problems herausgefunden und korrigiert wurde.

### 10. Halten Sie den Arbeitsbereich sauber

- Sicherheitsabstände können als Abstände zwischen Maschinen und Hindernissen betrachtet werden, die einen sicheren Betrieb jeder Maschine ohne Einschränkung ermöglichen. Bedenken Sie vorhandene und voraussichtliche Maschinenanforderungen, die Größe des Materials, das von jeder Maschine bearbeitet wird und den Freiraum für zusätzliche Gestelle und / oder Arbeitstische. Bedenken Sie auch den jeweiligen Stellplatz der einzelnen Maschinen zueinander für eine effiziente Materialhandhabung. Achten Sie darauf, dass Sie genügend Platz für den sicheren Betrieb Ihrer Maschinen in jeder vorhersehbaren Bedienung haben.
- Unaufgeräumte Arbeitsbereiche und Werkbänke schaffen ein Risiko von Unfällen. Halten Sie Werkbänke übersichtlich und aufgeräumt und entfernen Sie Werkzeuge, die nicht mehr in Gebrauch sind.
- Vergewissern Sie sich, dass die Bodenfläche sauber gehalten wird und frei von Staub und Schmutz, was Stolper- oder Rutschgefahr verursachen kann.

### 11. Berücksichtigen Sie die Umgebungseinflüsse am Arbeitsplatz

- Setzen Sie das Gerät nicht Regen oder feuchten Bedingungen aus.
- Halten Sie den Arbeitsbereich gut beleuchtet und stellen Sie sicher, dass künstliche Beleuchtung zur Verfügung steht, wenn nicht genügend natürliches Licht vorhanden ist, um den Arbeitsbereich wirksam zu beleuchten. Die Beleuchtung sollte hell genug sein, um Schatten und Augenbelastung zu vermeiden.
- Verwenden Sie das Gerät nicht in explosionsgefährdeten Umgebungen, z.B. in der Nähe von brennbaren Flüssigkeiten, Gasen oder Staub.
- Hohe Staubentwicklung durch die Bearbeitung von Holz, kann zu Brand- oder Explosionsgefahr führen. Verwenden Sie immer eine Staub- Absauganlage, um das Risiko zu minimieren.

### 12. Halten Sie andere Personen (und Tiere) fern

- Das Gerät ist so konzipiert, dass sie nur von einer Person bedient werden kann.
- Lassen Sie Personen, insbesondere Kinder, nicht das Gerät oder das

# 2. Allgemeine Gesundheits- und Sicherheitshinweise

Verlängerungskabel berühren (falls verwendet) und halten Sie sie aus dem Arbeitsbereich fern.

- Lassen Sie die Maschine niemals unbeaufsichtigt laufen. Schalten Sie die Stromversorgung aus und lassen Sie die Maschine nicht unbeaufsichtigt, bis sie zu einem völligen Stillstand kommt.
- Wenn der Arbeitsbereich unbeaufsichtigt verlassen wird, sollten alle maschinellen Einrichtungen ausgeschaltet „OFF“ und vom Stromnetz getrennt sein.

## 13. Sichere Aufbewahrung ungenutzter Maschinen

- Ungenutzte Maschinen sollten an einem trockenen Ort, außerhalb der Reichweite von Kindern gelagert werden. Lassen Sie keine Personen die Maschinen bedienen, die nicht mit dieser Anleitung oder mit der Maschine vertraut sind.

## 14. Übernehmen Sie sich nicht

- Wählen Sie eine Arbeitsposition, in der Ihr Körper ausgeglichen bleibt und führen Sie das Werkstück in die Maschine ein, ohne sich zu überstrecken.
- Sorgen Sie immer für sicheren Stand und halten Sie jederzeit das Gleichgewicht.

## 15. Stromnetz Versorgung

- Elektrische Schaltungen sollten für jede Maschine zweckbestimmend oder stark genug sein, um die Motorbelastungen auszuhalten. Steckdosen sollten in der Nähe jeder Maschine so angeordnet sein, dass die Strom- oder Verlängerungskabel große Verkehrsbereiche nicht behindern. Beachten Sie die örtlichen elektrischen Richtlinien für die ordnungsgemäße Installation neuer Beleuchtung, Steckdosen oder Schaltungen.
- Das Gerät muss an eine geerdete Stromversorgung angeschlossen werden.
- Die Stromversorgung muss mit einem Überlastungsschutz ausgerüstet sein, welcher einen Schutz gegen Kurzschluss, Überlast und Erdschluss bietet.
- Die elektrische Spannung der Maschine muss mit der Spannung des Stromnetzes übereinstimmen.
- Der Anschlussstecker der Maschine muss immer in die Steckdose passen. Der Stecker darf in keiner Weise verändert werden. Wenn ein Ersatzstecker benötigt wird, sollte er von einer sachkundigen Person montiert werden und dem ordnungsgemäßen Typ und der Belastbarkeit der Maschine entsprechen.
- Wenn Sie sich nicht sicher über alle elektrischen Anschlüsse sind, wenden Sie sich immer an einen qualifizierten Elektriker.

## 16. Vermeiden Sie ein unbeabsichtigtes Anlaufen der Maschine

- Die meisten Maschinen sind mit einem Nullspannungsschutzschalter ausgerüstet, um ein unbeabsichtigtes Einschalten zu verhindern. Im Zweifelsfall immer vor dem Anschluss an die Stromversorgung sicherstellen, dass der Maschinenschalter in der Position „OFF“ ist. Dies bedeutet, dass die Maschine nach einem Stromausfall oder Einschalten der Stromversorgung nicht automatisch startet, bis Sie erst wieder den Startschalter betätigen.

## 17. Einsatz im Freien

- Ihre Maschine sollte nicht im Freien verwendet werden.

## 18. Verlängerungskabel

- Wenn möglich, wird die Verwendung von Verlängerungskabeln nicht empfohlen. Wenn die Verwendung eines Verlängerungskabels unvermeidlich ist, dann sollte es einen minimale Kernquerschnitt von 2,5mm<sup>2</sup> haben und sich auf eine maximale Länge von 3 Metern beschränken.
- Verlängerungskabel sollten nicht im direkten Arbeitsbereich verlegt werden, um eine Stolpergefahr zu vermeiden.

## 19. Schutz vor elektrischem Schlag

- Vermeiden Sie Körperkontakt mit geerdeten Oberflächen, wie von Rohren und Heizkörpern. Es besteht ein erhöhtes Risiko eines elektrischen Schlags, wenn Ihr Körper geerdet ist.

## 20. Immer im bestimmungsgemäßen Leistungsbereich der Maschine arbeiten

- Bedienersicherheit und Maschinenleistung werden ernsthaft beeinträchtigt, wenn versucht wird, die Maschine über seine Grenzen hinaus zu bedienen.

## 21. Missbrauchen Sie nicht das Netzkabel

- Ziehen Sie niemals am Netzkabel, um es von der Steckdose zu trennen. Verwenden Sie stets den Stecker.
- Halten Sie das Netzkabel fern von Hitze, Öl und scharfen Kanten.
- Benutzen Sie nicht das Netzkabel, um die Maschine zu tragen oder zu bewegen.

## 22. Sichern Sie das Werkstück

- Vergewissern Sie sich, dass das Werkstück vor Gebrauch der Maschine sicher

gespannt ist.

- Bei Arbeiten innerhalb von 300 mm des Bearbeitungsbereichs, verwenden Sie immer einen Schiebestock, um das Werkstück an den Sägeblatt oder an das Schneidwerkzeug zu führen. Der Schiebestock sollte eine Mindestlänge von 400 mm haben. Wenn der Schiebestock beschädigt wird, ersetzen Sie ihn umgehend.
- Verwenden Sie zusätzliche Stützen (Rollenträger etc.) für alle langen Werkstücke, die zum Kippen neigen, wenn sie nicht auf der Tischplatte gehalten werden können.
- Verwenden Sie keine andere Person als Ersatz für eine Tischverlängerung, oder als zusätzliche Unterstützung für ein Werkstück, das länger oder breiter als der Arbeitstisch ist, oder als Hilfe für die Zufuhr, Abstützung oder Zugriff des Werkstücks.
- Versuchen Sie nicht mehr als ein Werkstück zur gleichen Zeit zu bearbeiten.
- Positionieren Sie beim Zuführen des Werkstücks in Richtung Sägeblatt oder Schneidwerkzeug niemals Ihre Hände in direkter Linie mit der Schneidbahn. Vermeiden Sie gefährliche Bedienungen und Handpositionen, wo bei einem plötzlichen Ausrutschen Ihre Hand oder Finger in den Bearbeitungsbereich geraten können.

## 23. Seien Sie aufmerksam und konzentriert

- Sicherheit ist eine Kombination aus gesundem Menschenverstand und Wachsamkeit des Betreibers zu jeder Zeit, wenn die Maschine verwendet wird.
- Bedienen Sie alle Maschinen mit äußerster Sorgfalt und benutzen Sie die Maschine nicht, wenn Sie müde sind oder unter dem Einfluss von Drogen, Alkohol oder Medikamenten stehen.

## 24. Verwenden Sie das richtige Werkzeug für die Arbeit

- Benutzen Sie die Maschine nicht für andere Zwecke, für die sie nicht geeignet ist.
- Bei der Auswahl von Ersatzschneidwerkzeugen und Sägeblättern, achten Sie immer darauf, dass diese für das zu bearbeitende Material, welches Sie verwenden möchten, geeignet sind. Falls Sie Zweifel haben, wenden Sie sich zur weiteren Beratungen an den Hersteller.

## 25. Anschließen einer Staubabsaugung

- Verwenden Sie immer eine Staubabsaugung. Die Absaugung sollte geeignete Abmessung und Leistung für die Maschine haben, an der sie angeschlossen wird und ein Filtriveau je nach der Art der aufgenommenen Abfälle. Bitte entnehmen Sie im entsprechenden Abschnitt des Handbuchs die Details über die spezifischen Anforderungen der Staubabsaugung für diese Maschine.
- Die Absaugung sollte vor dem Start der Maschine, an der sie angeschlossen ist, eingeschaltet „ON“ werden. Die Absaugung sollte noch für 30 Sekunden laufen gelassen werden, nachdem die letzte Bearbeitung beendet ist, um jeglichen Restmüll aus der Maschine zu entfernen.

## 26. Vergewissern Sie sich, dass die Maschine sachgemäß geschützt ist

- Benutzen Sie niemals die Maschine, wenn eine der Standard-Sicherheitsschutzeinrichtungen und maschinelle Ausstattung entfernt oder beschädigt ist.
- Bei einigen Maschinen sind Sicherheitsverriegelungen eingebaut, um zu verhindern, dass die Maschine ohne diese Schutzeinrichtungen benutzt werden kann. Versuchen Sie niemals, diese Verriegelungseinrichtung zu überbrücken oder zu verändern, damit die Maschine ohne die Schutzeinrichtungen eingesetzt werden kann.

## 27. Pflegen Sie Ihre Maschine mit Sorgfalt

- Dieses Handbuch gibt klare Anweisungen zur Montage, Aufstellung und Inbetriebnahme der Maschine und auch Details über alltägliche und vorbeugende Wartung, die regelmäßig durch den Anwender durchgeführt werden soll.
- Denken Sie immer daran, die Maschine abzuschalten und den Netzstecker von der Stromversorgung zu trennen, bevor Sie irgendwelche Einricht- oder Wartungsarbeiten durchführen.
- Befolgen Sie die Anweisungen für die Pflege von Zubehörteilen und Verbrauchsmaterial.
- Verwenden Sie keine Druckluft, um die Maschine zu reinigen. Benutzen Sie immer einen Bürste, um den Staub an schwer zugänglichen Stellen zu lösen und eine Absaugung, um die Abfälle aufzunehmen.
- Überprüfen Sie elektrische Kabel regelmäßig, und, wenn sie beschädigt sind, lassen Sie sie von einer autorisierten Servicestelle oder vom qualifizierten Elektriker reparieren.
- Kontrollieren Sie Verlängerungskabel (falls verwendet) regelmäßig und ersetzen Sie sie, wenn sie beschädigt sind.



## 2. Allgemeine Gesundheits- und Sicherheitshinweise

### 28. Halten Sie Schneidwerkzeuge scharf und sauber

- Einwandfrei gewartete Schneidwerkzeuge lassen sich leichter handhaben und laufen weniger fest.
- Schneidwerkzeuge und Sägeblätter können während des Gebrauchs heiß werden. Seien Sie deshalb äußerst vorsichtig beim Umgang und lassen Sie sie vor dem Wechsel, Einstellen oder Schärfen abkühlen.

### 29. Trennen Sie die Maschine von der Stromversorgung

- Bei Nichtgebrauch, vor der Wartung, Sägeblattwechsel etc. trennen Sie immer die Maschine von der Stromversorgung.

### 30. Auf beschädigte Teile überprüfen

- Vor Inbetriebnahme der Maschine muss sorgfältig überprüft und festgestellt werden, dass sie im einwandfreien Zustand ist und seiner bestimmungsgemäßen Funktion entspricht.
- Überprüfen Sie die Ausrichtung der beweglichen Teile, Schwergängigkeit von beweglichen Teilen, Beschädigungen von Teilen und sonstige Bedingungen, die den einwandfreien Betrieb beeinträchtigen können.
- Beschädigte Schutzeinrichtungen oder andere Teile müssen sachgemäß durch eine anerkannte Fachwerkstatt repariert oder ausgewechselt werden, soweit nichts anderes in der Betriebsanleitung angegeben ist.
- Benutzen Sie die Maschine nicht, falls sich der Schalter nicht „ON“ und „OFF“ schalten lässt.
- Lassen Sie defekte Schalter von einem Fachmann ersetzen.

### 31. ACHTUNG!

- Der Gebrauch von jeglichen Zubehör- oder Anbauteilen, anders als in dieser Betriebsanleitung oder von unserer Firma empfohlen, kann Personenschäden, Beschädigung der Maschine und die Aufhebung des Garantieanspruches bedeuten.

### 32. Lassen Sie Ihre Maschine durch einen Fachmann reparieren

- Diese Maschine entspricht den entsprechenden Sicherheitsanforderungen und Normen für diesen Maschinentyp, wenn sie in Übereinstimmung mit dieser Anweisung, mit allen Standard- Schutzeinrichtungen und maschinellen Ausstattungen verwendet wird. Reparaturen sollten nur von einem Fachmann unter Verwendung von Originalersatzteilen durchgeführt werden. Bei Nichtbeachtung kann es zu erheblichen Gefahren für den Benutzer führen und der Garantieanspruch entfällt.

### 33. Achtung! Der Motor kann während des Betriebs heiß werden

- Es ist normal, dass bei einigen Maschinen die Motoren während des Gebrauchs heiß werden. Vermeiden Sie das Berühren des Motors während der Benutzung.

# 3. Zusätzliche Gesundheits- und Sicherheitshinweise für feinflternde Staubabsauganlagen

## 1. Sichere Bedienung

- Stand- Staubabsaugungen sollten auf einem ebenen Boden aufgestellt werden. Stellen Sie sicher, dass sich keine Fremdkörper zwischen der Basis der Absaugung und des Bodens befinden.
- Wandbefestigte Staubabsaugungen, oder solche, die mit einer optionalen Wandbefestigung verwendet werden, sollten an einem soliden Block oder einer Ziegelmauer mit geeigneten Befestigungen, die das Gewicht der Maschine tragen können, angebracht werden. Falls die Montage an eine Ständerwand erfolgt, ist darauf zu achten, dass die Befestigungen in dem Ständerwerk der Wand angebracht werden. Gipskarton alleine ist nicht stark genug, um das Gewicht der Maschine zu tragen.
- Sollte die Staubabsaugung an der Wand befestigt werden, bedenken Sie immer das Gesamtgewicht, wenn sie voll mit Abfällen ist, um die korrekten Befestigungen zu verwenden.
- Stellen Sie die Staubabsaugung niemals auf eine erhöhte Oberfläche oder Werkbank.
- In allen Fällen, positionieren Sie die Staubabsaugung so nahe wie möglich an das Gerät, für die sie verwendet wird.
- Es ist eventuell notwendig den Absaugschlauch zu verlängern, oder dessen Durchmesser zu verkleinern, um ihm dem Gerät anzupassen. Überdehnen Sie niemals den Schlauch, um ihn passend zu machen.
- Die Saugleistung alleine könnte dazu führen, dass die Staubabsaugung in Richtung Schlauch gezogen wird, insbesondere wenn der Schlauch überdehnt, oder eine optionaler Radsatz montiert wurde. Stehen Sie niemals direkt zwischen der Staubabsaugung und der Maschine, an der sie angeschlossen ist.

## 2. Machen sie sich mit der Maschine vertraut

- Sollten Sie nicht vollständig mit Staubabsaugungen vertraut sein, seien Sie sich des inhärenten Risikos aufgrund der Arbeitsweise dieser Maschinen, bewusst. Es befinden sich bewegliche Teile in dieser Maschine, die ernsthafte Verletzungen verursachen können. Folgen Sie bei Gebrauch, Leerung oder Wartung der Maschine immer genauestens jeglichen, in der Bedienungsanleitung angegebenen Sicherheitsanweisungen.

## 3. Vor dem 'ON' (EIN)- schalten der Maschine:

- Entfernen Sie das Transportband, welches zur Sicherung der Deckeleinheit auf dem Trommelgehäuse vor dem Gebrauch verwendet wird. Benutzen Sie die Maschine niemals mit dem angebrachten Transportband, da dieses nur zum Schutz der Maschine während des Transports dient.
- Stellen Sie sicher, dass sich der Schalter der Maschine in der 'OFF' Position befindet, bevor Sie die Stromversorgung anschließen oder unterbrechen.
- Stellen Sie sicher, dass der Absaugschlauch sicher an den Abluftstutzen der Staubabsaugung angeschlossen ist.
- Stellen Sie immer sicher, dass das Filterelement und der Papierfilter vor Benutzung der Staubabsaugung sicher und korrekt positioniert sind. Bei Nichtbeachtung wird Staub in den Motor gesaugt. Achten Sie immer auf eine gute Abdichtung zwischen Filter und Motorgehäuse.
- Überprüfen Sie, dass der Trommelfilter eingesetzt ist (nur bestimmte Modelle), bevor Sie den Deckel der Maschine wieder schließen.
- Überprüfen Sie, dass der Staubauffangsack (nur bestimmte Modelle) sicher montiert und unbeschädigt ist. Falls beschädigt, ersetzen Sie den Auffangsack, bevor Sie die Maschine starten.

## 4. Während der Benutzung der Staubabsaugung:

- Bedecken Sie das Ende des Absaugschlauchs nicht vollständig, da die Maschine sich in Richtung des Schlauches ziehen kann.
- Versuchen Sie nicht die Deckeleinheit von dem Trommelgehäuse zu entfernen.
- Versuchen Sie nicht die Staubabsaugung zu benutzen, ohne den Absaugschlauch an den Saugstutzen des Trommelgehäuses angeschlossen zu haben.
- Dieses Produkt ist nur für Trockenverwendung geeignet und sollte nicht im Freien oder nassen Bedingungen benutzt oder gelagert werden.
- Sämtliche Record Power Staubabsaugungen sind ausschließlich für

die Verwendung mit Holzstaub und Spänen ausgelegt. Benutzen Sie die Maschine nicht, um Dämpfe, Rauch, Gase und andere Stoffe wie Gipsstaub zu entfernen, da die Gefahr einer Entzündung besteht. Bei Nichtbeachtung erlischt die Garantie und kann zu Schäden an der Maschine oder ernsthaften Verletzungen des Benutzers führen.

- Verwenden Sie die Maschine nicht zur Absaugung von gefährlichen Stäuben.
- Sollte der Schlauch sich verstopfen, schalten Sie die Maschine umgehend 'OFF' (AUS), um jedwede Schäden an der Maschine zu vermeiden und trennen sie von der Stromversorgung, bevor Sie die Verstopfung beseitigen. Versuchen Sie niemals Ihre Hand in den Schlauch oder den Saugstutzen der Staubabsaugung zu stecken, während diese in Betrieb ist.
- Saugen Sie niemals Flüssigkeiten oder Metallabfälle (wie z.B. Nägel oder Eisenspäne), oder jegliche entzündliche Substanz auf.
- Stellen Sie sicher, dass die Maschine in einem ausreichend belüfteten Bereich verwendet wird.
- Beim Entleeren der Maschine muss ein Gesichtsschutz getragen werden, um sich vor potenziell gefährlichem Holzstaub zu schützen.

## 5. Feuervermeidung:

- Holzstaub ist entzündlich und wenn dieser in der Luft schwebt, kann er eine Wolke bilden, die explodieren kann, falls die Luftkonzentration höher als 40g/m<sup>3</sup> ist.
- Funken können im Staub für eine lange Zeit glimmen, bevor ein Feuer oder eine Flamme entdeckt wird. Wenn Metall während der Bearbeitung in Kontakt mit Metall kommt, schalten Sie die Maschine umgehend 'OFF' (AUS), trennen Sie das Netzkabel von der Stromversorgung und warten Sie, bis der Motor zu einem völligen Stillstand kommt. Entleeren Sie den Staub in einen zugelassenen, luftdichten Metallbehälter, für den Fall von Zündfunken. Lösen Sie das Metall auf Metall Kontaktproblem, bevor Sie die Arbeit wieder aufnehmen.
- Betreiben Sie die Staubabsaugung nicht in Umgebungen, die Explosionsrisiken bergen, wie z.B. Zündflammen, offene Flammen, Dämpfe, Gase oder hohe Konzentrationen von schwebendem Staub.

## 6. Wartung:

- Schalten Sie die Maschine immer 'OFF', trennen Sie sie von der Stromversorgung und warten Sie, bis der Motor zum völligen Stillstand kommt, bevor Sie jegliche Routinewartungen, wie z.B. Abfallentleerung oder Filterwechsel vornehmen.
- Halten Sie Ihre Hände beim Filterwechsel fern vom Ventilatorenblatt im Motor.
- Ein Papierfilter muss immer auf das Filterelement montiert werden, da dieser Partikel bis zu 0,5 Mikrometer filtert und Schutz vor Feinstaub gibt, welcher höchst gefährlich für die Gesundheit ist.
- Schalten Sie das Hauptgerät nicht 'ON' (EIN), es sei denn, es ist an die Auffangtrommel oder das Gehäuse angeschlossen. Die vom Motor erzeugte Fliehkraft bewirkt, dass der Antriebskopf sehr schnell rotiert und dieses kann zu ernsthaften Verletzungen führen.
- Falls die Maschine während des Betriebs heiß wird, bedeutet das, dass die Filter verstopft sind und gereinigt werden müssen. Jegliche Beschädigung an der Maschine, die durch verstopfte Filter herbeigeführt wurde, wird nicht von die Garantie abgedeckt.

7. Die Beseitigung oder Kontrolle von Risiken durch Holzstaub ist von dem 'Health & Safety at Work etc. Act 1974' (Gesundheit und Sicherheit am Arbeitsplatz, etc. Act 1974), the 'Provision & Use of Work Equipment Regulations 1998' (Bereitstellung und Benutzung von Arbeitsmitteln Vorschriften für Geräte 1998) and the 'Control of Substances Hazardous to Health (COSHH) Regulations 2002' (Vorschrift für die Kontrolle von gesundheitsgefährdenden Stoffen (COSHH) 2002) gefordert. Wir empfehlen, dass Sie sich damit befassen und diese Vorschriften befolgen.

Weitere Hinweise können Sie von der 'The Health & Safety Executive' (Gesundheits- und Sicherheits Direktion) und deren Webseite [www.hse.gov.uk](http://www.hse.gov.uk) erhalten.

# 4. Record Power Garantie

„**Produkte**“ bezieht sich auf die Produkte, welche von Record Power unter Einhaltung dieser Allgemeine Bedingungen verkauft werden;

„**Record Power**“ ist eine GmbH mit der Firmen - Registrierungsnummer 4804158, und die registrierte Firmenadresse lautet: Centenary House, 11 Midland Way, Barlborough Links, Chesterfield, Derbyshire, S43 4XA und vertreibt seine Produkte über ein Netzwerk von Vertragshändlern;

„**Autorisiertes Vertriebsunternehmen**“ ist die benannte Importfirma in Ihrer Region, die in der Regel über ein Netzwerk von autorisierten Händlern verkaufen. Details über autorisierte Vertriebsunternehmen für bestimmte Länder finden Sie in der Betriebsanleitung oder unter [www.recordpower.info](http://www.recordpower.info);

„**Vertragshändler**“ sind Einzelhändler oder ein Handelsbetrieb, die berechtigt sind, Record Power Produkte an Endverbraucher zu verkaufen.

## 1 Garantie

- 1.1 Record Power garantiert, dass für einen Zeitraum von 5 Jahren ab Verkaufsdatum, die Bauteile der qualifizierten Produkte (siehe Abschnitte 1.2.1 bis 1.2.9) frei von Mängeln durch fehlerhafte Konstruktion oder Herstellung sind.
- 1.2 Während dieser Zeit repariert oder ersetzt Record Power, ihr autorisiertes Vertriebsunternehmen oder die Vertragshändler alle Teile kostenlos, die sich in Übereinstimmung mit den Absatz 1.1 als fehlerhaft erweisen, unter der Bedingung, dass:
  - 1.2.1 Sie das Verfahren im Schadensfall wie unten in Abschnitt 2 aufgeführt befolgen;
  - 1.2.2 Record Power, unser autorisiertes Vertriebsunternehmen oder Vertragshändler eine angemessene Möglichkeit nach Erhalt der Beanstandungsnotiz geben werden, um das Produkt zu prüfen;
  - 1.2.3 wenn Sie von Record Power, unserem autorisierten Vertriebsunternehmen oder Vertragshändler dazu gebeten werden, das Produkt auf eigene Kosten zur Record Power Betriebsstätte oder zu einem anderen zugelassenen Gewerbe, wie zu unseren autorisierten Händlern oder Vertragshändlern zurückgeben, um die Prüfung durchzuführen;
  - 1.2.4 die besagte Störung nicht durch den industriellen Einsatz, unbeabsichtigte Beschädigung, normaler Verschleiß, mutwillige Zerstörung, Vernachlässigung, falsche elektrische Anschlüsse, ungewöhnliche Arbeitsbedingungen, Nichteinhaltung unserer Anweisungen, Missbrauch, Veränderung oder Reparatur des Produkts ohne unsere Zustimmung verursacht wurde;
  - 1.2.5 das Produkt nur im Hausgebrauch verwendet worden ist;
  - 1.2.6 der Fehler sich nicht auf Verbrauchsmaterialien wie Schneiden, Kugellager, Antriebsriemen oder andere Verschleißteile bezieht, die aller Voraussicht nach in unterschiedlichen Zeitabständen je nach Nutzung auftreten (für die vollständigen Einzelheiten kontaktieren Sie Record Power oder Ihr lokales autorisiertes Vertragsunternehmen);
  - 1.2.7 das Produkt von Ihnen oder von einem Vorbesitzer nicht zur Vermietung verwendet wurde;
  - 1.2.8 das Produkt von Ihnen gekauft wurde, da die Garantie von einem Privatverkauf nicht übertragbar ist.
  - 1.2.9 wenn das Produkt von einem Einzelhändler gekauft wird, ist die 5 Jahres Garantie übertragbar und beginnt mit dem ersten Verkaufsdatum des Produkts und im Falle eines Garantieanspruchs ist der Nachweis des ursprünglichen Kaufdatums erforderlich, um die Garantiezeit zu bestätigen.

## 2 Verfahren im Schadensfall

- 2.1 Zunächst wenden Sie sich bitte an den autorisierten Vertragshändler, der Ihnen das Produkt geliefert hat. Unserer Erfahrung nach werden viele anfänglichen Probleme mit Maschinen, die auf vermutete fehlerhafte Teile zurückgeführt wurden, in Wirklichkeit durch korrekte Einstellung oder Anpassung der Maschinen gelöst. Ein guter autorisierter Vertragshändler sollte in der Lage sein einen Großteil der Probleme schneller zu lösen, als die Bearbeitung einer Inanspruchnahme der Garantie zu veranlassen.
- 2.2 Jeglicher Schaden an dem Produkt, der eine mögliche Inanspruchnahme der Garantie ergibt, muss dem autorisierten Vertragshändler, von dem Sie das Produkt gekauft haben, innerhalb von 48 Stunden nach Eingang gemeldet werden.
- 2.3 Wenn der autorisierte Vertragshändler, der das Produkt an Sie geliefert hat, nicht in der Lage sein sollte, Ihre Anfrage zu erfüllen, sollte ein Garantieanspruch direkt an Record Power oder das autorisierte Vertragsunternehmen erfolgen. (Einzelheiten über das autorisierte Vertragsunternehmen in Ihrem Land finden Sie in Ihrer Betriebsanleitung oder unter [www.recordpower.info](http://www.recordpower.info)) . Der Anspruch selbst sollte in einem Schreiben mit Datum, Ort des Kaufs, und eine kurze Erklärung des Problems, das zum Anspruch führt, aufgeführt sein. Der Anspruch selbst sollte in einem Schreiben mit Datum, Ort des Kaufs (vorzugsweise mit Kaufbeleg) , und eine kurze Erklärung des Problems, das zum Anspruch führt, aufgeführt sein. Wenn Sie eine Telefonnummer oder E- Mail Adresse hinzufügen, kann es die Inanspruchnahme der Garantie beschleunigen.
- 2.4 Bitte beachten Sie, dass es wichtig ist, dass das Schreiben der Inanspruchnahme der Garantie Record Power oder das autorisierte Vertragsunternehmen spätestens am letzten Tag dieser Garantie erreicht. Verspätete Ansprüche werden nicht berücksichtigt.

## 3 Haftungsbeschränkungen

- 3.1 Wir liefern nur Produkte für den häuslichen und privaten Gebrauch. Sie stimmen zu, dass Sie das Produkt nicht für kommerzielle, gewerbliche oder wiederverkäufliche Zwecke verwenden und wir keine Haftung für den entgangenen Gewinn, Geschäftsverlust, Betriebsausfall oder Verlust von Geschäftschancen übernehmen.
- 3.2 Diese Garantie verleiht keinerlei Rechte, mit Ausnahme derjenigen, die oben ausdrücklich beschrieben wurden und deckt keine Ansprüche für Folgeschäden oder Beschädigungen. Diese Garantie wird als zusätzliche Leistung angeboten und hat keinen Einfluss auf Ihre gesetzlichen Rechte als Verbraucher.

## 4 Bemerkung

Diese Garantie gilt für alle Produkte, die von einem Vertragshändler von Record Power innerhalb des Vereinigten Königreichs Großbritannien und Nordirland gekauft wurden. Garantiebedingungen können in anderen Ländern abweichen - bitte erkundigen Sie sich bei dem autorisierten Vertragsunternehmen in Ihrem Land (Einzelheiten über das autorisierte Vertriebsunternehmen für ihr Land finden Sie in der Betriebsanleitung oder unter [www.recordpower.info](http://www.recordpower.info)).

# 5. Technische Daten

## **CGV286-3** 36 L 1kW Kompakte Absauganlage

UK **104700**, AUS **104710**, EU **104720**

Filtration: 0.5 Mikron

Luftstrom: 54 Liter / Sekunde

Behältervolumen: 36 Liter

Motor: 1 kW

Absaugstutzen Durchmesser: 4"

Gewicht: 8.5 kg

Abmessungen: B355 x T355 x H455 mm

Schallpegel mit Auspuffabdeckung: 73.6 dB

Schalldruckpegel mit Schlauch: 68.7 dB

## **CGV286-4** 36 L 2 x 1kW Kompakte Absauganlage

UK **104770**, EU **104780**

Filtration: 0.5 Mikron

Luftstrom: 108 Liter / Sekunde

Behältervolumen: 36 Liter

Motor: 2 x 1 kW

Absaugstutzen Durchmesser: 4"

Gewicht: 11 kg

Abmessungen: B355 x T355 x H455 mm

Schallpegel mit Auspuffabdeckung: 82.4 dB

Schalldruckpegel mit Schlauch: 75.1 dB

## **CGV286-3-WALL** 150 L 2 x 1kW Kompakte Absauganlage für Wandmontage

UK **104730**, AUS **104740**, EU **104750**, US **104760**

Filtration: 0.5 Mikron

Luftstrom: 108 Liter / Sekunde

Behältervolumen: 150 Liter

Motor: 2 x 1 kW

Absaugstutzen Durchmesser: 4"

Gewicht: 13 kg

Abmessungen: B355 x T385 x H930 mm

Schallpegel mit Auspuffabdeckung: 82.4 dB

Schalldruckpegel mit Schlauch: 75.1 dB

## **CGV336-3** 55 L 1kW Mittelgroße Absauganlage

UK **104790**, EU **104800**

Filtration: 0.5 Mikron

Luftstrom: 54 Liter / Sekunde

Behältervolumen: 55 Liter

Motor: 1 kW

Absaugstutzen Durchmesser: 4"

Gewicht: 10.5 kg

Abmessungen: B355 x T355 x H680 mm

Schallpegel mit Auspuffabdeckung: 73.6 dB

Schalldruckpegel mit Schlauch: 68.7 dB

## **CGV336-4** 55 L 2 x 1kW Mittelgroße Absauganlage

UK **104810**, AUS **104820**, EU **104830**, US **104840**

Filtration: 0.5 Mikron

Luftstrom: 108 Liter / Sekunde

Behältervolumen: 55 Liter

Motor: 2 x 1 kW

Absaugstutzen Durchmesser: 4"

Gewicht: 13 kg

Abmessungen: B355 x T355 x H680 mm

Schallpegel mit Auspuffabdeckung: 82.4 dB

Schalldruckpegel mit Schlauch: 75.1 dB

## **CGV386-5** 90 L 2 x 1kW Große Absauganlage

UK **104850**, AUS **104860**, EU **104870**

Filtration: 0.5 Mikron

Luftstrom: 108 Liter / Sekunde

Behältervolumen: 90 Liter

Motor: 2 x 1 kW

Absaugstutzen Durchmesser: 4"

Gewicht: 17 kg

Abmessungen: B465 x T465 x H630 mm

Schallpegel mit Auspuffabdeckung: 82.4 dB

Schalldruckpegel mit Schlauch: 75.1 dB

## **CGV386-6** 90 L 3 x 1kW Große Absauganlage

UK **104880**, AUS **104890**, EU **104900**, US **104910**

Filtration: 0.5 Mikron

Luftstrom: 162 Liter / Sekunde

Behältervolumen: 90 Liter

Motor: 3 x 1 kW

Absaugstutzen Durchmesser: 4"

Gewicht: 19.5 kg

Abmessungen: B465 x T465 x H630 mm

Schallpegel mit Auspuffabdeckung: 82.8 dB

Schalldruckpegel mit Schlauch: 75.6 dB

## **CGV486-6** 200 L 3 x 1kW Schwerlast Absauganlage

UK **104930**, EU **104940**

Filtration: 0.5 Mikron

Luftstrom: 162 Liter / Sekunde

Behältervolumen: 200 Liter

Motor: 3 x 1 kW

Absaugstutzen Durchmesser: 4"

Gewicht: 28.5 kg

Abmessungen: B600 x T600 x H925 mm

Schallpegel mit Auspuffabdeckung: 82.8 dB

Schalldruckpegel mit Schlauch: 75.6 dB

# 6. Lieferumfang



- 1 CamVac Serie Feinfilter Absauganlage mit montiertem Stoff Filterbeutel
- 2 Stofffilterbeutel für Motor \*
- 3 Papierfilterbeutel für Motor\*
- 4 150 x 12 mm Gummiband\*
- 5 Durchsichtiger Abfallbeutel\*\*
- 6 Vorrichtung für Wandmontage\*\*
- 7 Elastisches Band\*\*
- 8 **ZAMV** 2 Meter 100 mm Absaugschlauch
- 9 **105100** Einlass-Bajonettverschluss
- 10 **DX100X** 100 mm Schlauchmanschette mit einfacher Passform

\* Ein gelieferter Artikel pro Motor

\*\* Nur bei **CGV286-3-WALL** Modell mitgeliefert



# 7. Montage



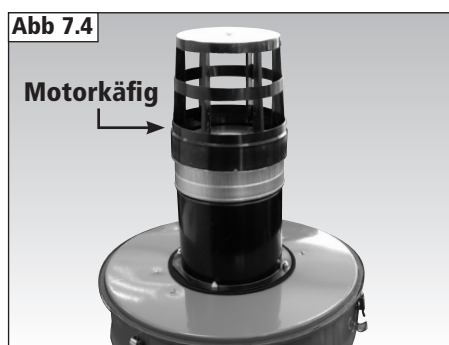
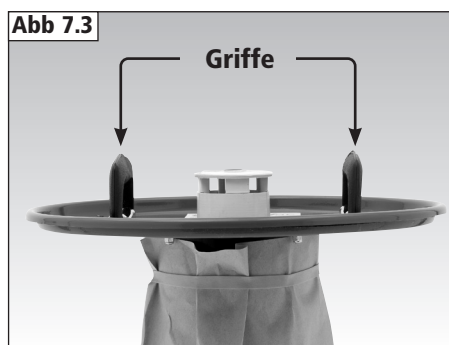
Die Absauganlage muss während der Montage und Wartung von der Stromversorgung getrennt sein und der Schalter in der „Aus“ Position sein.

Die **CGV286**, **CGV286-3-WALL** und **CGV336** Modelle sind mit Halteklammern ausgestattet, um den Kopf am Maschinenkörper zu befestigen. Lösen Sie die 3 Halteklammern wie in **Abb. 7.1** gezeigt und entfernen Sie das obere Teil mit den 2 Griffen, wie in **Abb. 7.3** veranschaulicht.

Die **CGV386** und **CGV486** Modelle sind mit Haltelaschen ausgestattet, die den Kopf am Maschinenkörper befestigen. Lösen Sie die Lasche wie in **Abb. 7.2** gezeigt und entfernen Sie das obere Teil mit den 2 Griffen, wie in **Abb. 7.3** veranschaulicht.

Drehen Sie den Kopf um und platzieren Sie ihn auf der Absaugtrommel wie in **Abb. 7.4** gezeigt.

Platzieren Sie den Stofffilterbeutel für den Motor über den Motorkäfig wie in **Abb. 7.5** gezeigt.



# 7. Montage

Platzieren Sie den Papierfilter über dem Stofffilter wie in **Abb. 7.6** gezeigt und befestigen Sie ihn mit dem Gummiband.

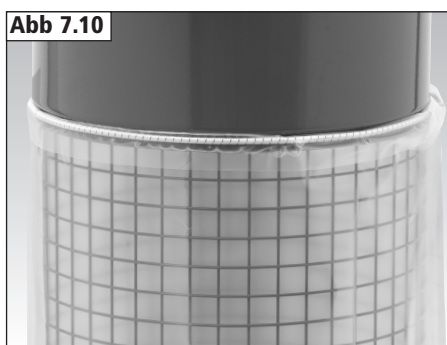
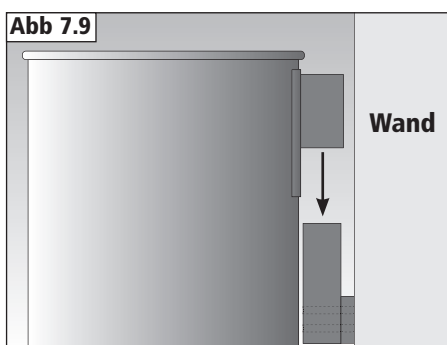
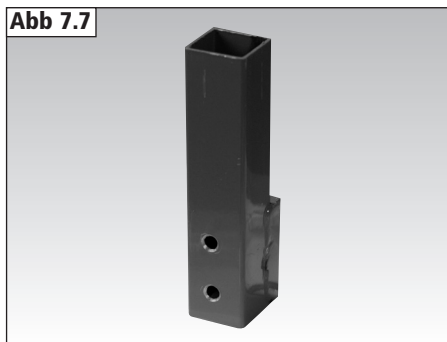
Setzen Sie den Kopf wieder auf die Maschine und sichern Sie ihn mit den 3 Klammern.

## Installation des CGV286-3-WALL Wandabzuges

Montieren Sie die Halterung mit geeigneten Befestigungen (nicht mitgeliefert) an der Wand und vergewissern Sie sich, dass die Halterung wie in **Abb 7.7** ausgerichtet ist, sodass die Bohrungen unten sind. Die Halterung sitzt in der Befestigungsplatte an der Rückseite der Maschine, **Abb. 7.8**.

Um die Maschine an der Wand anzubringen, platzieren Sie die Befestigungsplatte über der Halterung wie in **Abb. 7.9** gezeigt.

Um die Montage zu vervollständigen, befestigen Sie den Abfallsammelsack am äußeren des Käfigs und sichern Sie ihn mit dem elastischen Band wie in **Abb. 7.10** gezeigt.





# 7. Montage

## Anbringen des Einlassbajonettanschlusses an den Schlauch mit 4" / 100 mm Durchmesser

Befestigen Sie ein Ende des Schlauchs am glatten Ende des Einlassbajonettanschlusses und stellen Sie sicher, dass das Ende des Schlauchs den zentralen Bund berührt, **Abb. 7.11**.

Anbringen des Einlassbajonettverschlusses am Einlass des Staubabscheiders  
Setzen Sie den Ansaugbajonettverschluss in den Ansaugstutzen der Maschine ein und achten Sie darauf, dass die männlichen Anschlusspunkte korrekt auf die weiblichen Anschlussschlitze am Ansaugstutzen ausgerichtet sind, **Abb. 7.12** und **Abb. 7.13**.

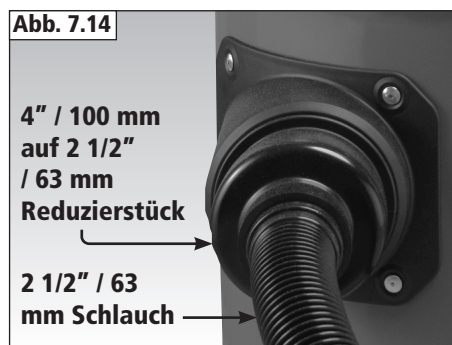
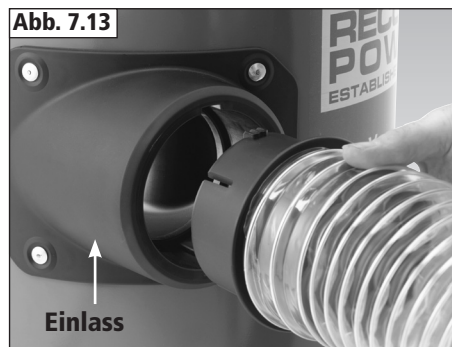
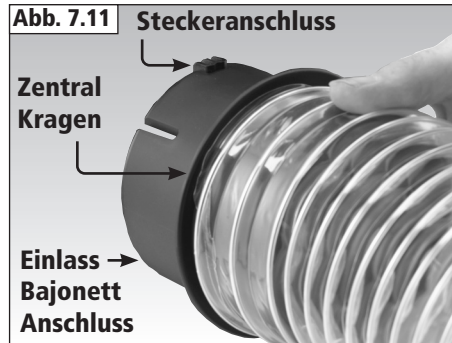
Drehen Sie den Ansaugbajonettverschluss nach dem Anbringen im Uhrzeigersinn, um ihn zu verriegeln. Zum Entriegeln drehen Sie ihn gegen den Uhrzeigersinn.

## Anbringen des Schlauchs mit einem Durchmesser von 2 1/2" / 63 mm am Einlass des Staubabscheiders

Befestigen Sie das optionale Reduzierstück **40025** von 4" / 100 mm auf 2 1/2" / 63 mm am glatten Ende des Einlass-Bajonettverschlusses. Verbinden Sie dann den 2 1/2" / 63 mm Schlauch mit dem Reduzierstück von 4" / 100 mm auf 2 1/2" / 63 mm und schließen Sie den Einlassbajonettverschluss an den Einlass der Absaugung an, **Abb. 7.14**.

## Anbringen des Schlauchs mit einem Durchmesser von 4" / 100 mm am Einlass des CGV486-6 Staubabscheiders

Befestigen Sie den Schlauch mit einem Durchmesser von 4" / 100 mm am Einlass des CGV486-6 Staubabscheiders mit der mitgelieferten **DX100X** 4" / 100 mm Schlauchmanschette, wie in **Abb. 7.15** gezeigt.



# 7. Montage

## Anbringen des Schlauchs mit einem Durchmesser von 2 1/2" / 63 mm am Einlass des CGV486-6 Staubabscheiders

Um den Schlauch mit einem Durchmesser von 2 1/2" / 63 mm anzuschließen, muss das optionale Reduzierstück 40025 von 4" / 100 mm auf 2 1/2" / 63 mm an den 4" / 100 mm Einlass und der Schlauch an das Reduzierstück angeschlossen werden, wie in **Abb. 7.16** gezeigt.

## Verwendung der Motorabsaugung

Jeder Motor des Staubabscheiders verfügt über einen Motorabzug, wie in **Abb. 7.17** dargestellt. Dadurch wird der Geräuschpegel der Maschine während des Betriebs reduziert.

Für eine noch stärkere Geräuschreduzierung kann der optionale 63-mm-Schlauch (2 1/2") wie in **Abb. 7.18** gezeigt angebracht werden, indem die Abdeckung des Motorabzugs abgenommen und der Schlauch darin platziert wird.

Wenn Sie das Ende des Schlauchs durch einen Auslass, z. B. ein Fenster, in einen separaten Bereich führen, wird der verbleibende Lärm aus dem Arbeitsbereich geleitet.

Siehe **Seite 36** für die Schallpegel (dB) der einzelnen Modelle.

## Anschließen des Schlauchs an den Staubabsaugungsauslass der Holzbearbeitungsmaschine

Viele Holzbearbeitungsmaschinen verfügen über 4" / 100 mm Auslässe, so dass der 4" / 100 mm Schlauch direkt an die Maschine angeschlossen werden kann. Für Auslässe anderer Größen bietet Record Power eine breite Palette von Adaptern und Reduzierstücken an. Besuchen Sie Ihren Fachhändler vor Ort oder gehen Sie online, um Einzelheiten über das gesamte Sortiment zu erfahren.

Abb 7.16



Abb. 7.17

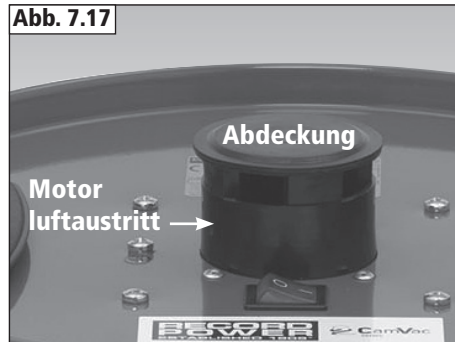


Abb. 7.18



# 8. Montage der optionalen Fahrwerke

Es sind 3 Abmessungen der Fahrwerke verfügbar, um an die folgenden Modelle montiert zu werden:

**CVA286-27-100** 286 / 336 Rollenset

kompatibel mit:

**CGV286-3** 36 L 1kW Kompakte Absauganlage

**CGV286-4** 36 L 2 x 1kW Kompakte Absauganlage

**CGV336-3** 55 L 1kW Mittlere Absauganlage

**CGV336-4** 55 L 2 x 1kW Mittlere Absauganlage

**CVA386-27-100** 386 Rollenset

kompatibel mit:

**CGV386-5** 90 L 2 x 1kW Große Absauganlage

**CGV386-6** 90 L 3 x 1kW Große Absauganlage

**CVA486-27-100** 486 Rollenset

kompatibel mit:

**CGV486-6** 200 L 3 x 1kW Schwerlast Absauganlage

Jedes Rollenset wird vollständig montiert geliefert und kann sofort an der Maschine angebracht werden.

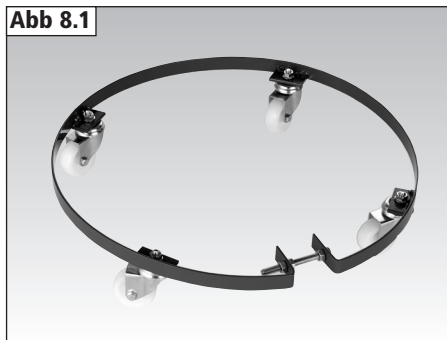
Entfernen Sie den Kopf der Absauganlage, leeren Sie die Trommel und drehen Sie die Maschine um wie in **Abb. 8.2** gezeigt. Platzieren Sie das Fahrwerk im Rand der Trommel, wie abgebildet.

Das Rollenset ist mit 2 Justierschrauben ausgestattet, wie in **Abb. 8.3** gezeigt. Lösen Sie die äußere Schraube, damit sich der Rahmen des Fahrwerks ausdehnen kann und nutzen Sie anschließend die innere Schraube um den Rahmen zu erweitern bis er fest in der Trommel gesichert ist.

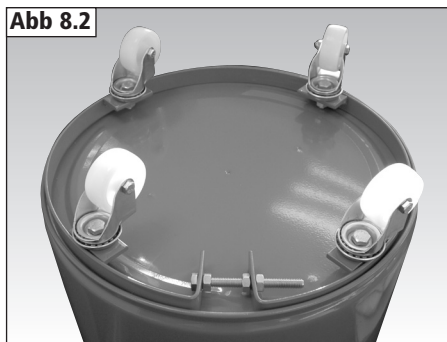
Ziehen Sie die äußere Schraube wieder an um den Rahmen zu sichern, wie in **Abb. 8.4** gezeigt.

Das Fahrwerk sollte nun korrekt installiert sein, wie in **Abb. 8.5** gezeigt.

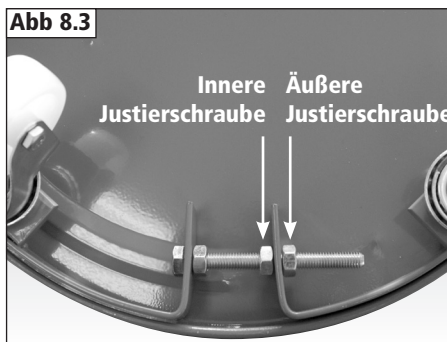
**Abb 8.1**



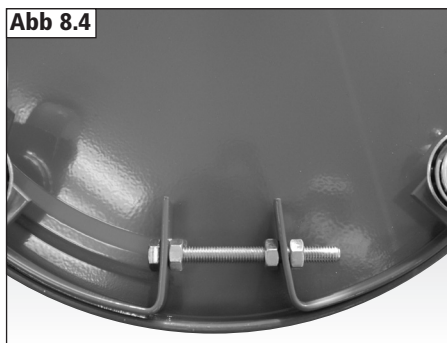
**Abb 8.2**



**Abb 8.3**



**Abb 8.4**



**Abb 8.5**



# 9. Bedienung



**Nutzen Sie immer geeignete Schutzausrüstung wenn Sie mit Holzbearbeitungsmaschinen und Absauganlagen arbeiten.**

**Die CamVac Absauganlagen sind für die Absaugung von Holzstaub und die Reinigung der Werkstatt konzipiert. Seien Sie vorsichtig wenn Sie scharfe Objekte saugen, da diese die Filter beschädigen können.**

**Die Absauganlagen sind auch für eine breitere Palette von Materialien geeignet. Bitte kontaktieren Sie Ihren Händler oder rufen Sie bei Record Power an, um hierzu Beratung zu erhalten.**

**Nutzen Sie die Absauganlage nie für nasse Abfälle.**

Vergewissern Sie sich, dass die Absauganlage richtig an die abzusaugende Maschine angeschlossen ist. Stellen Sie die Maschine mit dem Schalter auf dem Deckel an, wie in **Abb. 9.1** gezeigt.

Wenn die Maschine mehr als einen Motor besitzt, kann eine beliebige Anzahl von Motoren je nach benötigter Leistung angeschaltet werden.

Die Absauganlagen können verwendet werden, um Abfälle vom Boden des Arbeitsbereichs zu entfernen. Dafür wird dringend empfohlen das entsprechende Zubehör zu verwenden. Sollten jedoch der 4" oder 2 1/2" Absaugschlauch verwendet werden, vergewissern Sie sich immer dass der Schlauch im Winkel gehalten wird wie in **Abb. 9.2** veranschaulicht. Sollte das Ende des Schlauchs vollständig den Boden berühren könnte die Maschine durch den Sog zum Bedienenden gezogen werden, **Abb. 9.3**.



**Wichtig: Die Maschine muss nach höchstens 2 Stunden durchgängigen Laufs mindestens 15 Minuten stillstehen, um das Überhitzen des Motors zu vermeiden. Eine Nichteinhaltung führt zur Aufhebung der Garantie.**

## Neustarten der Maschinen (alle Modelle)

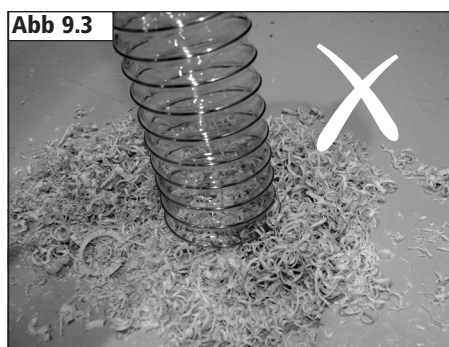
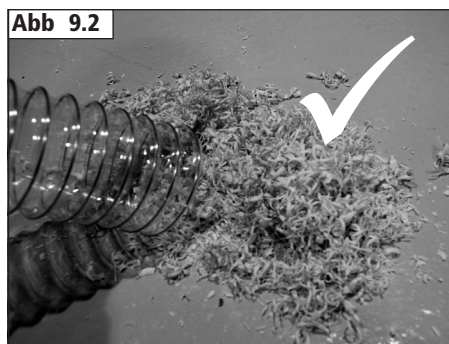
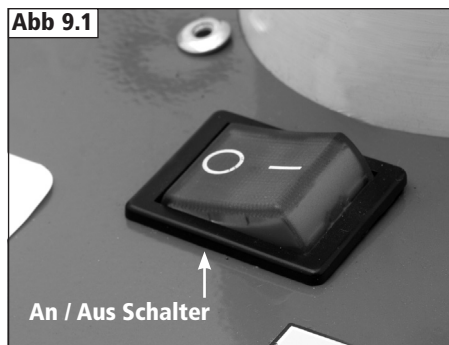
### Im Fall einer Blockade

Sollte eine Blockade im Inneren des Absaugschlauchs entstehen, schalten Sie die Maschine sofort aus indem Sie den Schalter auf die „Aus“ Position bringen und warten Sie, bis die Maschine vollständig zum Stillstand kommt. Trennen Sie die Maschine von der Stromversorgung und entfernen Sie das blockierende Stück aus dem Schlauch. Um die Maschine neu zu starten, stellen Sie den Schalter in die „An“ Position.

### Im Fall eines Stromausfalls

Im Fall eines Stromausfalls stellen Sie den Schalter zuerst in die „Aus“ Position und identifizieren und beheben Sie anschließend den Ursprung des Ausfalls. Sollte der Fehler im Netz Ihrer Werkstatt sein, könnte eine verdeckte Ursache (z.B. Überlastung) der Grund für den Ausfall sein, was von einem qualifizierten Elektriker überprüft werden muss bevor die Stromversorgung wiederhergestellt wird.

Wenn die Stromversorgung wiederhergestellt ist, kann die Maschine neu gestartet werden indem der Schalter in die „An“ Position gebracht wird.





# 10. Wartung



**Trennen Sie die Maschine immer von der Stromversorgung, bevor Sie jegliche Wartungsarbeiten durchführen.**

## Entleeren der Absauganlage

Entleeren Sie den Behälter regelmäßig, um eine optimale Leistung zu erzielen und Schäden am Motor zu vorzubeugen.

## Wartung der Filter



**Die Papierfilterbeutel sollten nach maximal 20 Nutzungsstunden gewechselt werden.**

**Die Stofffilterbeutel sollten maximal 20 Nutzungsstunden mit kaltem Wasser ausgewaschen und getrocknet werden. Dies stellt eine optimale Leistung sicher, da es den Luftstrom maximiert, was zu weniger Risiko eines Motorschadens führt.**

**Die Nichteinhaltung dieser Wartung der Filter führt zur Aufhebung der Garantie.**

Um Zugriff zum Filter zu haben, muss der Maschinenkopf entfernt werden. Die **CGV286**, **CGV286-3-WALL** und **CGV336** Modelle sind mit Klammern ausgestattet, die den Kopf am Körper befestigen. Lösen Sie die 3 Halteklammern wie in **Abb. 10.1** gezeigt und entfernen Sie den Kopf mithilfe der Griffe, **Abb. 10.3**.

Die **CGV386** und **CGV486** Modelle sind mit einer Haltelasche ausgestattet, um den Kopf am Körper zu befestigen. Lösen Sie den Laschengriff wie in **Abb. 10.2** gezeigt, entfernen Sie die Lasche und entfernen Sie den Kopf mit den 2 Griffen, wie in **Abb. 10.3** gezeigt.

Drehen Sie den Kopf um und platzieren Sie ihn auf der Trommel wie in **Abb. 10.4** gezeigt.

## Wartung des Motors

Nach ungefähr 1000 Nutzungsstunden müssen die Kohlebürsten des Motors gewechselt werden.

Um auf den Motor zugreifen zu können, lösen Sie die 4 Schrauben die diesen am Kopf der Absauganlage halten mit einem 8 mm Schraubenschlüssel und Kreuzschlitzschraubendreher, wie in **Abb. 10.5** gezeigt.

Abb 10.1

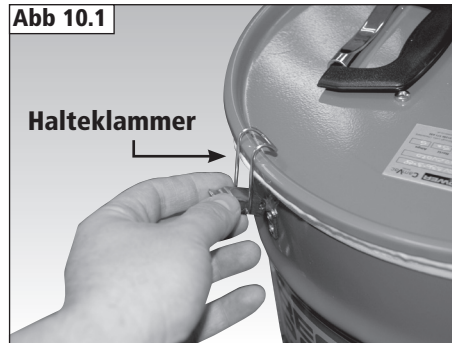


Abb 10.2

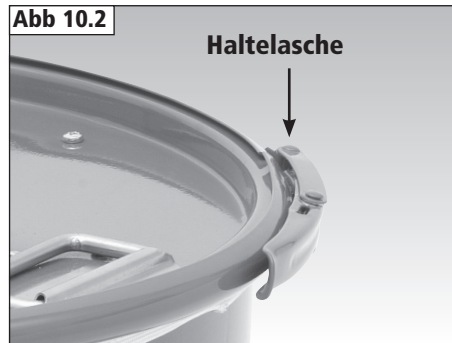


Abb 10.3

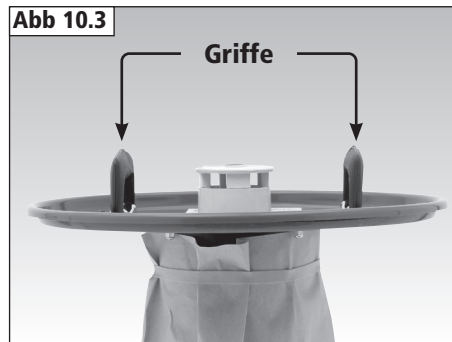
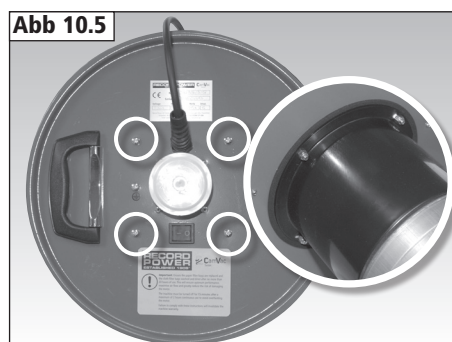


Abb 10.4



Abb 10.5



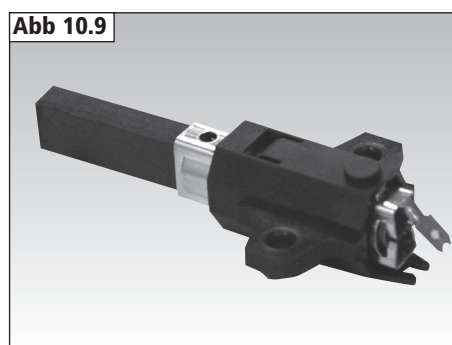
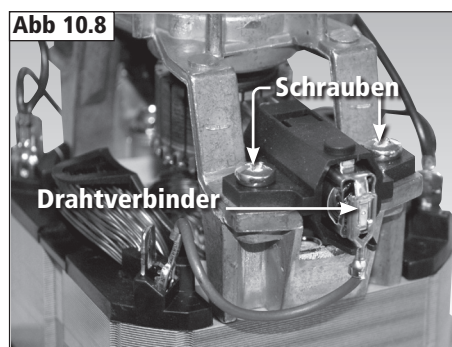
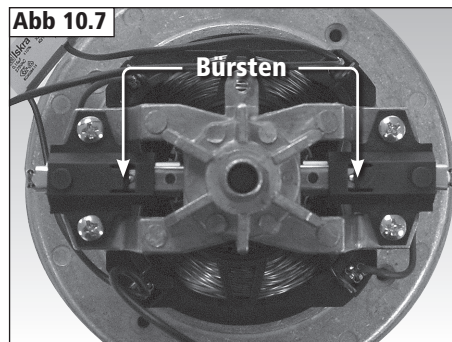
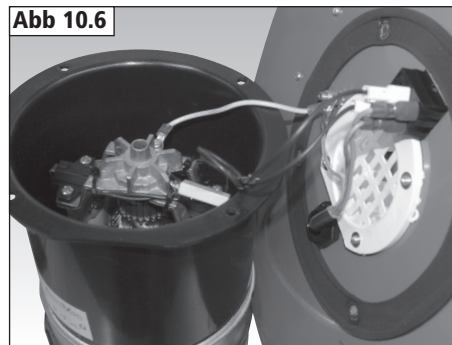
# 10. Wartung

Positionieren Sie den Kopf vorsichtig neben dem Motor, wie in **Abb. 10.6** gezeigt.

Die Bürsten befinden sich an zwei Seiten des Motors, siehe **Abb. 10.7**. Tauschen Sie immer beide Bürsten gleichzeitig aus, um eine optimale Leistung zu erzielen.

Entfernen Sie die beiden Schrauben die die Bürsten halten mit einem Kreuzschlitzschraubendreher wie in **Abb. 10.8** gezeigt, lösen Sie vorsichtig die Drahtverbinder von den Enden und entfernen Sie die Bürsten.

Tauschen Sie die Kohlebürsten aus, **Abb. 10.9**, und montieren Sie den Motor wieder.



# 11. Verbrauchsteile

Zusätzlich zu den aufgeführten Verbrauchsteilen bietet Record Power eine breite Palette an Schläuchen, Zubehör, Adaptern und Anschlüssen. Besuchen Sie Ihren Händler oder unsere Internetpräsenz, um das komplette Sortiment einzusehen.

Geeignet für: **CGV286-3** 36 L 1kW Kompakte Absauganlage und **CGV286-4** 36 L 2 x 1kW Kompakte Absauganlage

**CVG170-100** Stofffilterbeutel für Motor

**CVG170-101** Papierfilterbeutel Paket

**CVG260-100** Gummiband

**CVA286-20-101** 36/55/150L Stofffilterbeutel Trommel

Geeignet für: **CGV286-3-WALL** 150 L 2 x 1kW Kompakte Absauganlage für Wandmontage

**CVG170-100** Stofffilterbeutel für Motor

**CVG170-101** Papierfilterbeutel Paket

**CVG260-100** Gummiband

**CVA286-20-101** 36/55/150L Stofffilterbeutel Trommel

**CVG170-102** Durchsichtiger Abfallbeutel

Geeignet für: **CGV336-3** 55 L 1kW Mittelgroße Absauganlage und **CGV336-4** 55 L 2 x 1kW Mittelgroße Absauganlage

**CVG170-100** Stofffilterbeutel für Motor

**CVG170-101** Papierfilterbeutel Paket

**CVG260-100** Gummiband

**CVA286-20-101** 36/55/150L Stofffilterbeutel Trommel

Geeignet für: **CGV386-5** 90 L 2 x 1kW Große Absauganlage und **CGV386-6** 90 L 3 x 1kW Große Absauganlage

**CVG170-100** Stofffilterbeutel für Motor

**CVG170-101** Papierfilterbeutel Paket

**CVG260-100** Gummiband

**CVA386-20-101** 90 L Stofffilterbeutel Trommel

Geeignet für: **CGV486-6** 200 L 3 x 1kW Schwerlast Absauganlage

**CVG170-100** Stofffilterbeutel für Motor

**CVG170-101** Papierfilterbeutel Paket

**CVG260-100** Gummiband

**CVA486-20-101** GV486 Stofffilterbeutel Trommel



**CVG170-100**



**CVG260-100**



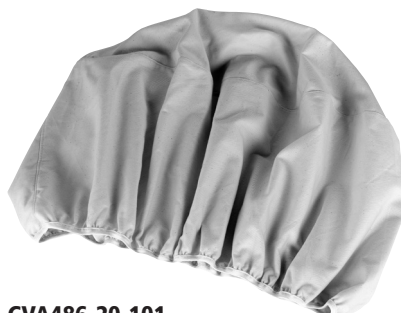
**CVG170-101**



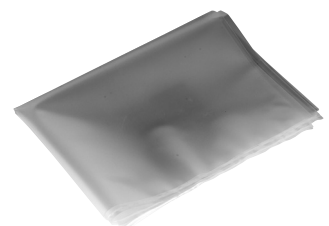
**CVA286-20-101**



**CVA386-20-101**



**CVA486-20-101**



**CVG170-102**



# 12. Staubabsaugung

## Die Wichtigkeit der Staubabsaugung

Eine geeignete Staubabsaugung ist unerlässlich, um mit Holzstaub verbundene Gesundheitsrisiken zu vermeiden. Sie ist auch für die sichere und effektive Leistung der Holzbearbeitungsmaschine notwendig. Einige Hölzer sind toxisch, was die Nutzung zusätzlicher geeigneter Schutzausrüstung wie Atemmasken empfehlbar macht.

## Record Power Staubabsauganlagen

Folgend finden Sie eine Übersicht des Record Power Angebots. Besuchen Sie Ihren Händler oder unsere Internetpräsenz für weitere Details.

### CGV286 CamVac Serie kompakte Absauganlage

36 Liter Behältervolumen, 1 kW einzeln oder doppelt Motor, 0.5 Mikron Filtration. Inkludiert Absaugschlauch.

### CGV286-3-WALL CamVac Serie Absauganlage für Wandmontage

150 Liter Behältervolumen, 1 kW einzeln oder doppelt Motor, 0.5 Mikron Filtration. Inkludiert Absaugschlauch.

### CGV336 CamVac Serie mittelgroße Absauganlage

55 Liter Behältervolumen, 1 kW einzeln oder doppelt Motor, 0.5 Mikron Filtration. Inkludiert Absaugschlauch.

### CGV386 CamVac Serie große Absauganlage

90 Liter Behältervolumen, 1 kW doppelt oder dreifach Motor, 0.5 Mikron Filtration. Inkludiert Absaugschlauch.

### CGV486 CamVac Serie Schwerlast Absauganlage

200 Liter Behältervolumen, 1 kW dreifach Motor, 0.5 Mikron Filtration. Inkludiert Absaugschlauch.

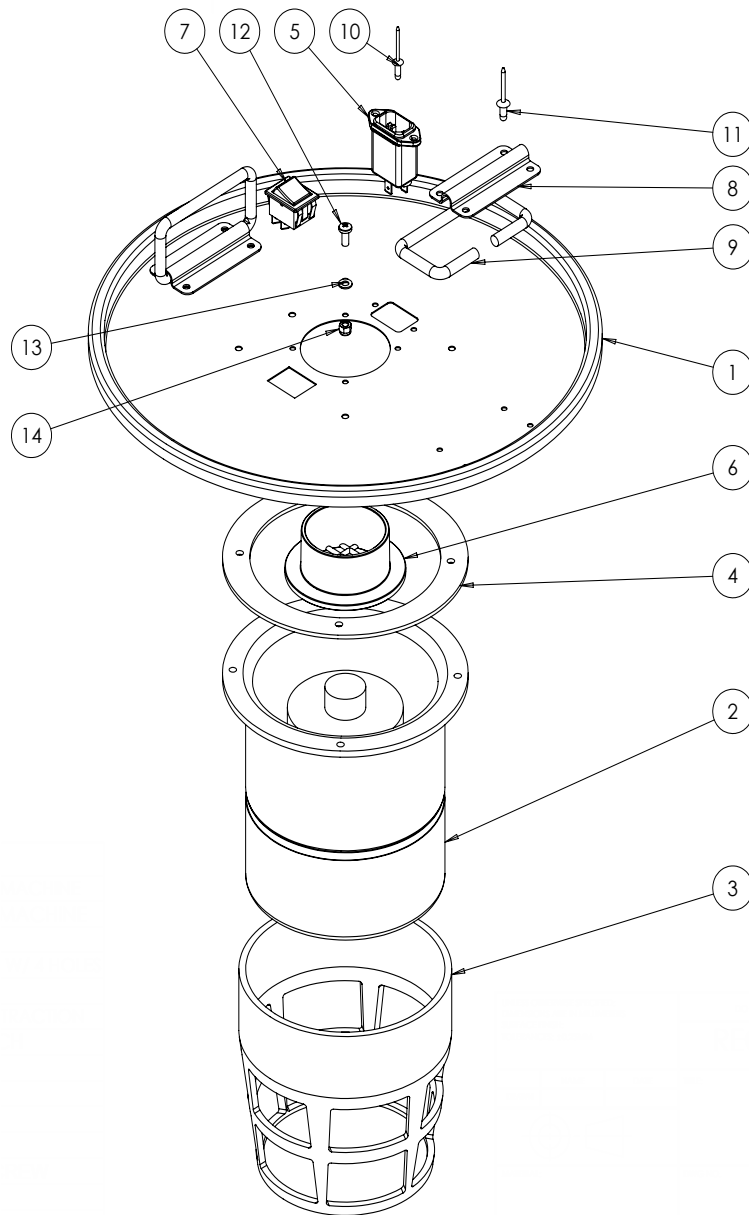
### AC400 Zweistufiges Luftfiltersystem mit Fernbedienung, 3 Geschwindigkeiten und Zeitsteuerung.

Filtert schwebenden Staub, 1 Mikron Filtration.

	Bandsägen	Tischsägen	Dickenhobelmaschinen	Drehmaschinen	Schleifmaschinen	Absaugungssystem	Luftgetragene Staubansammlung
CGV286	✓	✓	✓	✓	✓		
CGV286-3-WALL	✓	✓	✓	✓	✓	✓	
CGV336	✓	✓	✓	✓	✓		
CGV386	✓	✓	✓	✓	✓	✓	
CGV486	✓	✓	✓	✓	✓	✓	
AC400							✓

# 13. Teilliste und Übersichtszeichnungen

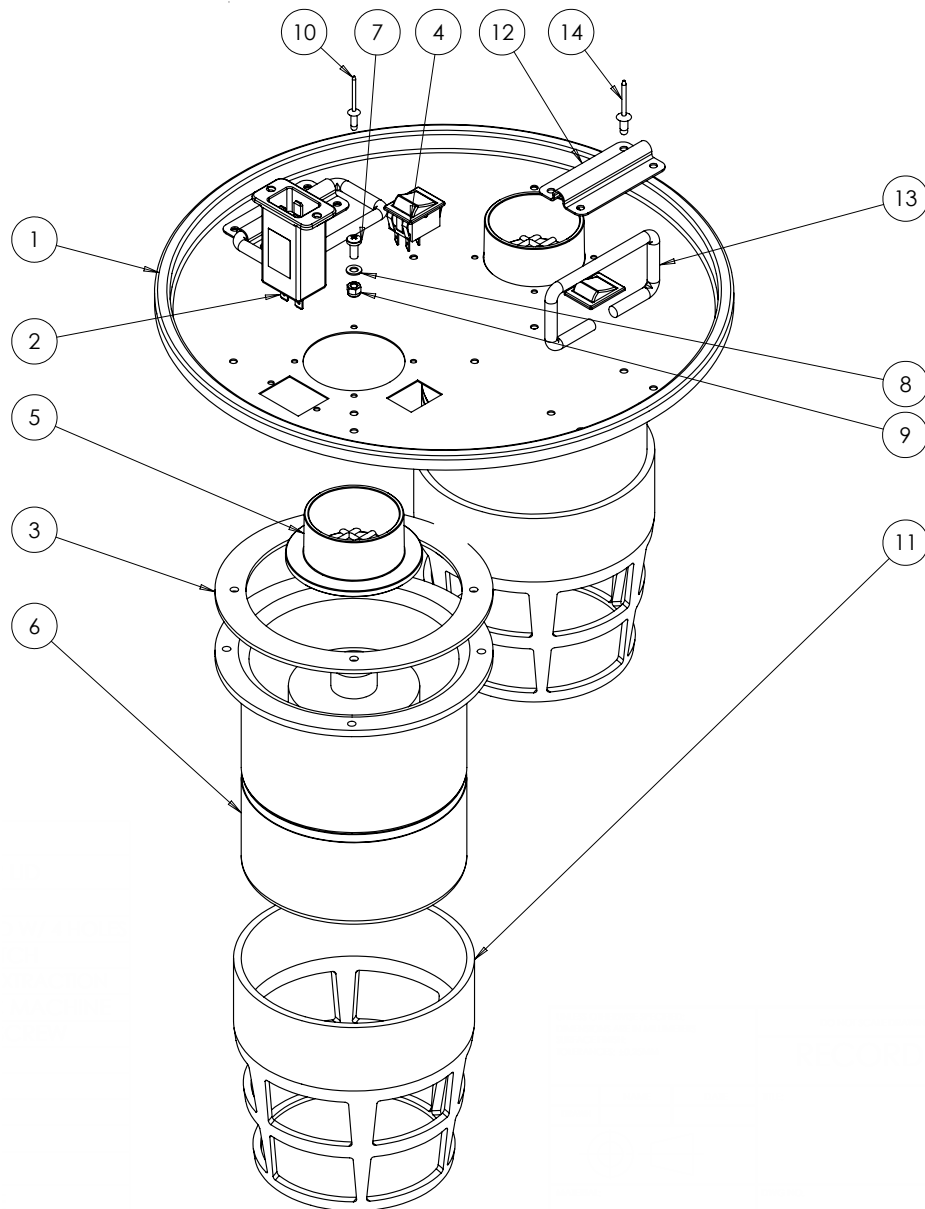
CGV286-1-LID  
CGV336-1-LID



Teil	Teilnr.	Beschreibung	Anzahl
1	SA0137	Einzelner Motordeckel für CGV286/336 Maschine	1
2	CVG180-100RET	Motoreinheit für CamVac-Maschine	1
3	CVG310-100	Filterkäfig	1
4	CVG320-102	3 mm Trimseal Dichtung 1800.D X 140l.D W/ 4 Löcher	1
5	99249	EMV-Filter (C14 IEC)	1
6	CVG220-102	Maschenflansch für CamVac Staubabsaugung	1
7	CBKS	Beleuchteter Wippschalter	1
8	CVG200-102	Flache Platte 286/336	2
9	CVG200-101	Deckel und Fassgriff	2
10	CVG240-103	Niete 4 mm X 10 mm	4
11	CVG240-104	4,8 mm X 12 mm Niet	8
12	CVG160-108B	M5 x 12 mm Flachkopfschraube	4
13	CVG280-102	5 mm Unterlegscheibe	4
14	CVG130-106	M5-Nylock-Mutter	4

# 13. Teilliste und Übersichtszeichnungen

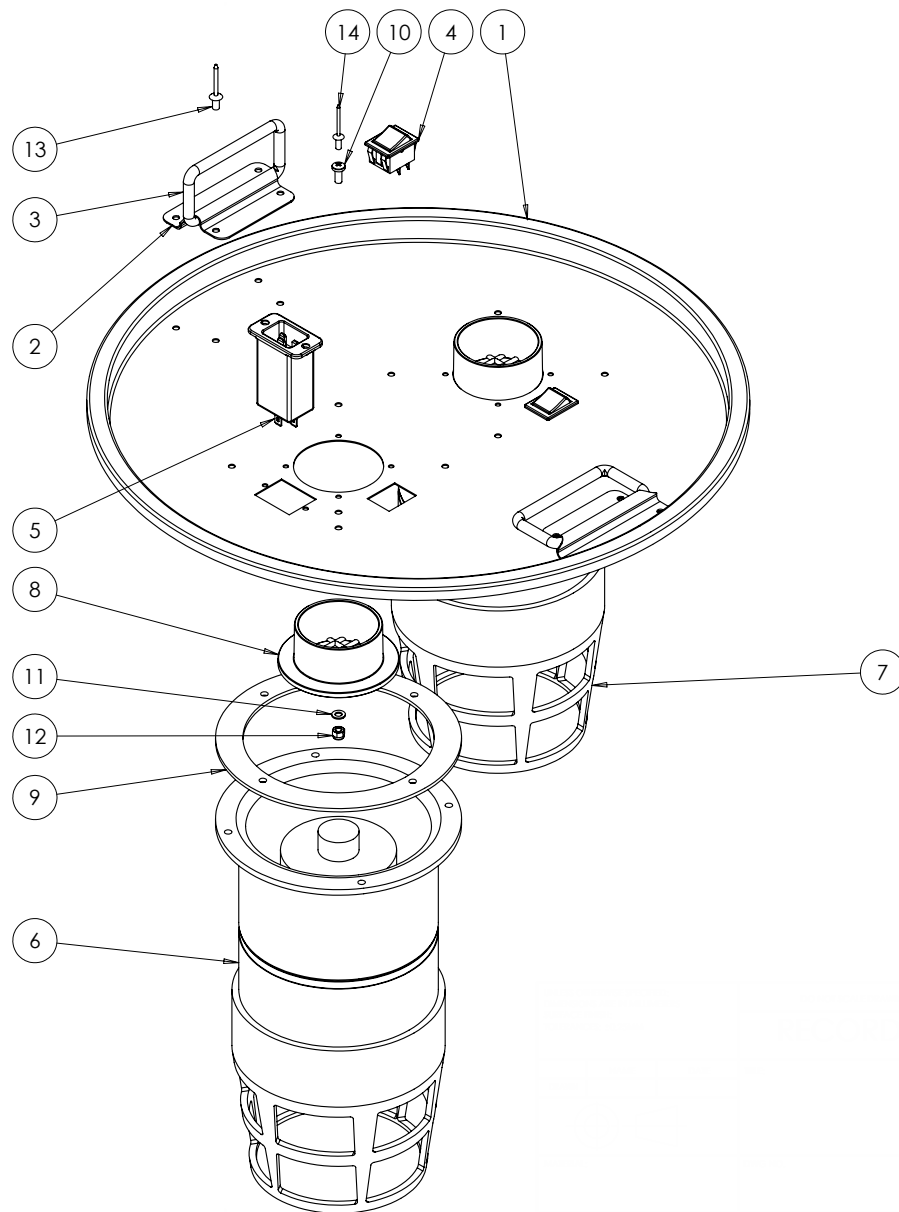
CGV286-2-LID  
CGV336-2-LID



Teil	Teilnr.	Beschreibung	Anzahl
1	SA0138	CGV286/336 Doppelmotordeckel	1
2	99250	EMV-Filter (C20 IEC)	1
3	CVG320-102	3 mm Trimseal-Dichtung 1800.D X 1401.D W/ 4 Löcher	2
4	CBKS	Beleuchteter Wippschalter	2
5	CVG220-102	Maschenflansch für CamVac Staubabsaugung	2
6	CVG180-100RET	Motoreinheit für CamVac Maschine	2
7	CVG160-108B	M5 x 12 mm Pozi-Linsenkopfschraube	8
8	CVG280-102	5 mm Unterlegscheibe	8
9	CVG130-106	M5-Zylindermutter	8
10	CVG240-103	4 mm x 10 mm Niete	8
11	CVG310-100	Filterkäfig	2
12	CVG200-102	286/336 flache Platte	2
13	CVG200-101	Deckel und Fassgriff	2
14	CVG240-104	4,8 mm x 12 mm Niet	8

# 13. Teilliste und Übersichtszeichnungen

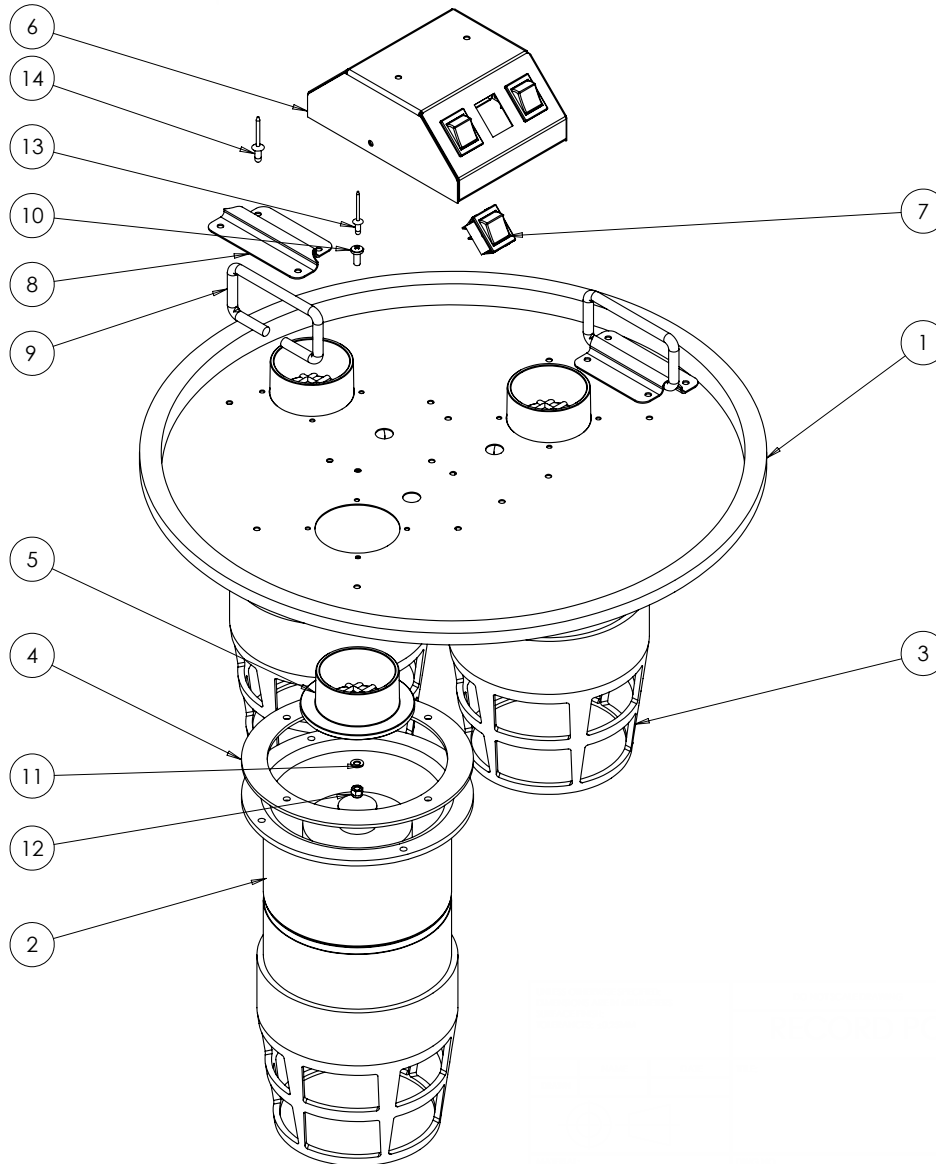
CGV386-5-LID



Teil	Teilnr.	Beschreibung	Anzahl
1	SA0078	Doppelmotor 386 Deckel	1
2	CVG200-102	386 flache Platte	2
3	CVG200-101	Deckel und Fassgriff	2
4	CBKS	Beleuchteter Wippschalter	2
5	99250	EMV-Filter (C20 IEC)	1
6	CVG180-100RET	Motorbaugruppe für CamVac Maschine	2
7	CVG310-100	Filterkäfig	2
8	CVG220-102	Maschenflansch für CamVac Absaugung	2
9	CVG320-102	3 mm Trimseal-Dichtung 1800.D x 1.40I.D mit 4 Löchern	2
10	CVG160-108B	M5 x 12 mm Flachkopfschraube	8
11	CVG280-102	5 mm Unterlegscheibe	8
12	CVG130-106	M5-Nylommutter	8
13	CVG240-104	4.8 mm x 12 mm Niete	8
14	CVG240-103	Niete 4 mm x 10 mm	8

# 13. Teilliste und Übersichtszeichnungen

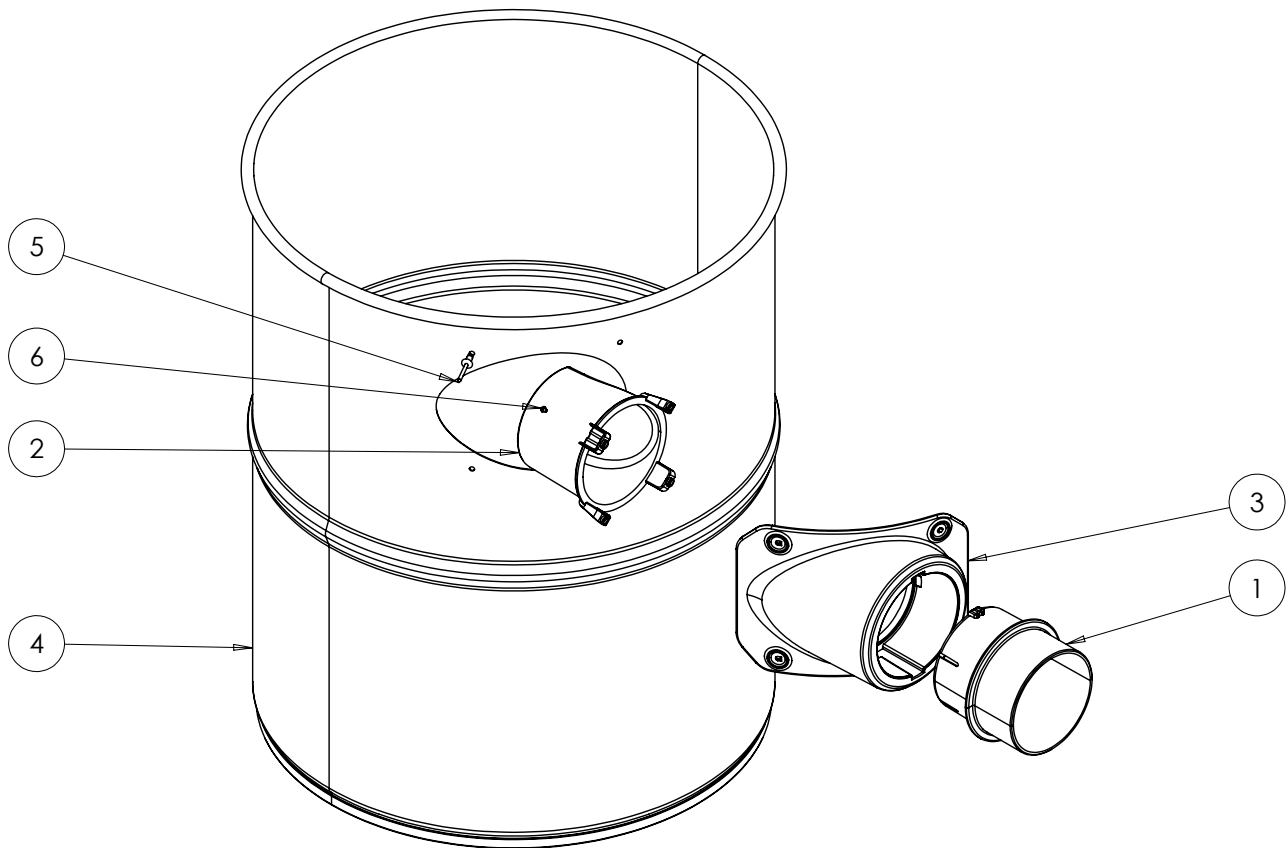
CGV386-6-LID  
CGV486-6-LID



Teil	Teilnr.	Beschreibung	Anzahl
1	SA0140	Deckel (nur CGV386-6)	1
1	SA0140	Deckel (nur CGV486-6)	1
2	CVG180-100RET	CamVac Motoreinheit	3
3	CVG310-100	Filterkäfig	3
4	CVG320-102	3 mm Trimseal Dichtung 1800.D X 140l.D W/ 4 Löcher	3
5	CVG220-102	Maschenflansch für CamVac Staubabsaugung	3
6		CGV386/CGV486 - 6 Schaltkasten-Baugruppe	1
7	CBKS	Beleuchteter Wippschalter	3
8	CVG200-103	Flache Griffplatte	2
9	CVG200-101	Deckel und Fassgriff	2
10	CVG160-108B	M5 x 12 mm Flachkopfschraube	12
11	CVG280-102	5 mm Unterlegscheibe	12
12	CVG130-106	M5-Nylonmutter	12
13	CVG240-103	4 mm x 10 mm Niete	12
14	CVG240-104	4. 8 mm x 12 mm Niet	8

# 13. Teilliste und Übersichtszeichnungen

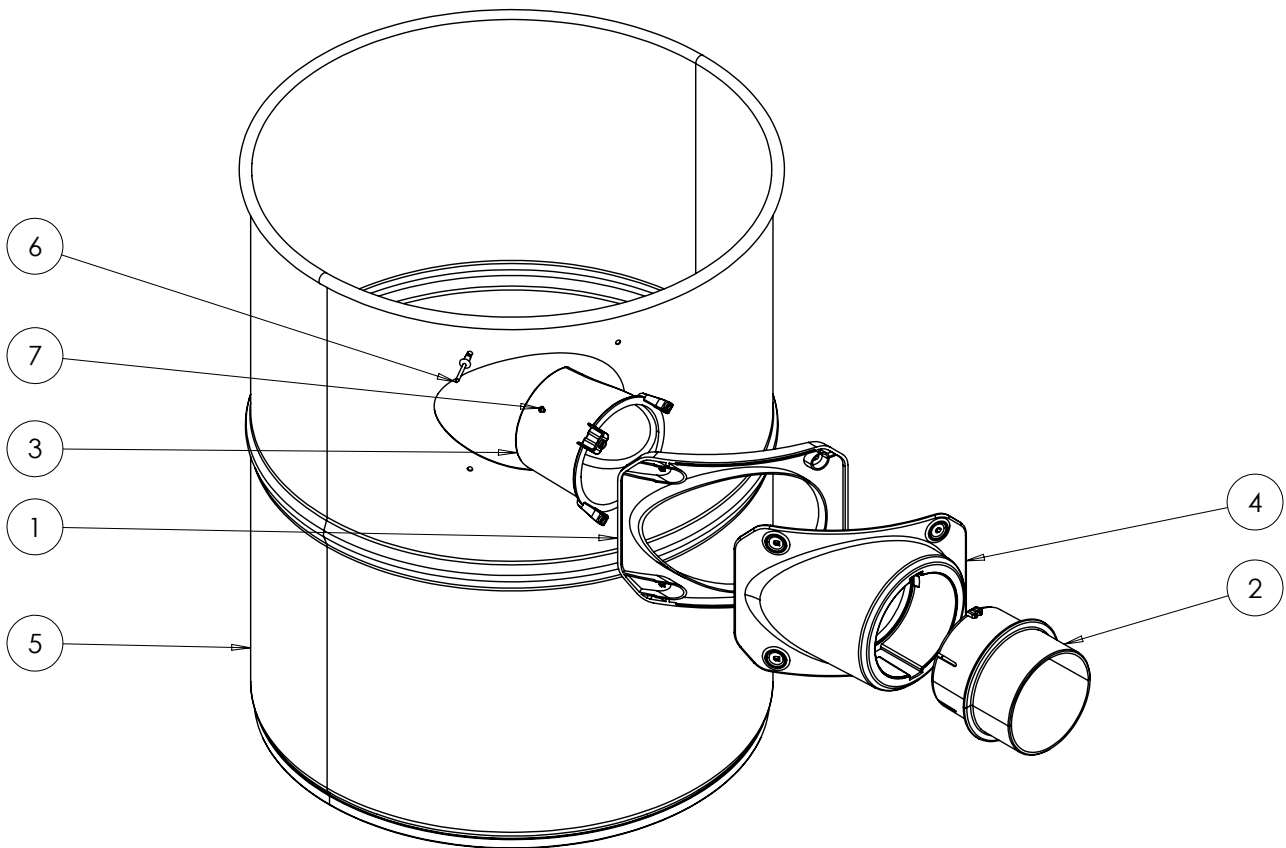
286 / 336 DRUM



Teil	Teilnr.	Beschreibung	Anzahl
1	105100	Bajonet-Verschraubung	1
2	FSW6135	Ansaugstutzen	1
3	FSW6133	Ansauggehäuse	1
4		Trommel	1
5	99299	4 mm x 20 mm Larhe-Flansch-Niet	1
6	99300	Plastech 30 3,5 x 20	1

# 13. Teilliste und Übersichtszeichnungen

386 DRUM



Teil	Teilnr.	Beschreibung	Anzahl
1	FSW6215	386 Adapterplatte	1
2	105100	Bajonet-Verschraubung	1
3	FSW6135	Ansaugstutzen	1
4	FSW6133	Ansauggehäuse	1
5		Trommel	1
6	99299	4 mm x 20 mm großer Flanschring	1
7	99300	Plastech 30 3,5 x 20	1



# 14. Elektrischer Schaltplan und Anschlüsse

Maschinen, die zur Verwendung in Großbritannien geliefert werden, sind mit einem 3-poligen Stecker gemäß BS1363, mit einer Sicherung gemäß BS1362 und mit der angemessenen Stromstärke der Maschine ausgestattet.

Maschinen, die zur Verwendung in anderen Ländern innerhalb der Europäischen Union geliefert werden, sind mit einem 2-poligen Schukostecker gemäß CEE 7/7 ausgestattet.

Maschinen, die zur Verwendung in Australien & Neuseeland geliefert werden, sind mit einem 3-poligen Stecker gemäß AS/NZS3112 ausgestattet.

In allen Fällen, Wenn das Netzkabel beschädigt ist, muss es durch ein spezielles Kabel oder eine spezielle Baugruppe ersetzt werden, die beim Hersteller oder seinem Kundendienst erhältlich ist.

230V (einphasig)

Braun: Stromführend (L)

Blau: Neutralleiter (N)

Grün und Gelb: Masse (E)

Die braunfarbige Ader muss immer an den 'L' oder rot-markierten Pol angeschlossen werden.

Die blaufarbige Ader muss immer an den 'N' oder schwarz-markierten Pol angeschlossen werden.

Die grün und gelb-farbige Ader muss immer an den 'E' oder dem Masse-Symbol:



oder grün / grün und gelb-markierten Pol angeschlossen werden.

Es ist wichtig, dass die Maschine wirkungsvoll geerdet ist. Einige Maschinen sind deutlich mit dem Logo "Schutzisoliert" gekennzeichnet:



In diesem Fall gibt es keinen Erdleiter innerhalb der Schaltung.

Im Fall des BS1363- Steckers zur Verwendung in Großbritannien, stellen Sie immer sicher, dass er mit einer Sicherung gemäß BS1362, die der angemessenen Stromstärke der Maschine entspricht, ausgestattet ist. Wenn

Sie die ursprüngliche Sicherung ersetzen, setzen Sie immer eine Sicherung ein, die der gleichwertigen Nennleistung wie dem Original entspricht. Montieren Sie niemals eine Sicherung mit einer höheren Nennleistung als das Original. Ändern Sie niemals die Sicherung oder Sicherungshalter, um Sicherungen von einem anderen Typ oder Größe einzupassen.

Wo die Nennleistung der Maschine grösser als 13 A bei 230 V ist, oder wenn die Maschine für eine 400 V 3-Phasen Stromversorgung benutzt wird, verwenden Sie einen Anschluss gemäß BS4343 (CEE17 / IEC60309).

230 V Maschinen werden mit einem blauen 3- poligen Stecker ausgestattet. Die Verdrahtung für diesen Steckertyp werden die gleichen sein, wie oben gezeigt.

400 V, 3-Phasen Maschinen werden mit einem roten 4 oder 5- poligen Stecker ausgestattet. Die Verdrahtung für diesen Anschlussstyp ist, wie unten dargestellt:

400 V (dreiphasig)

Braun: Stromführend (L1)

Schwarz: Stromführend (L2)

Grau: Stromführend (L3)

Blau: Neutralleiter (N)

Grün und Gelb: Masse (E)

Die braunfarbige Ader muss immer an den mit 'L1' markierten Pol angeschlossen werden.

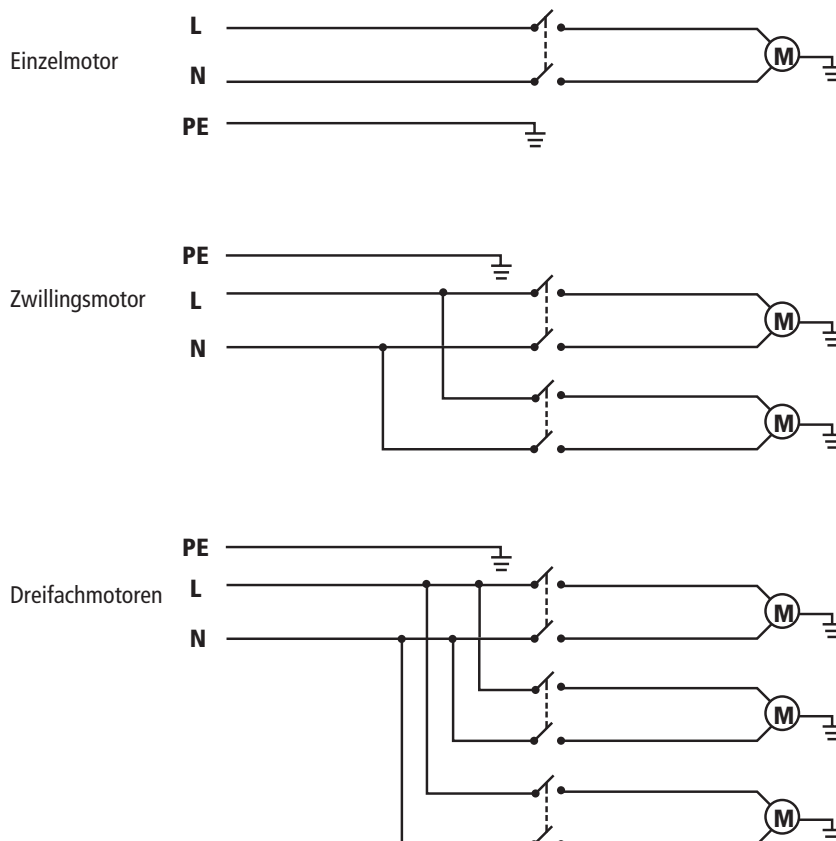
Die schwarzfarbige Ader muss immer an den mit 'L2' markierten Pol angeschlossen werden.

Die graufarbige Ader muss immer an den mit 'L3' markierten Pol angeschlossen werden.

Die blaufarbige Ader muss immer an den 'N' oder schwarz-markierten Pol angeschlossen werden.

Die grün und gelb-farbige Ader muss immer an den 'E' oder dem Masse-Symbol markierten Pol angeschlossen werden

Wenn Sie Zweifel bei dem Anschluss an der Stromversorgung haben, fragen Sie immer um Rat bei einem qualifizierten Elektriker.



# EC Konformitätserklärung

## Zertifikats-Nr.: EC / CamVac / 3

### RECORD POWER LIMITED,

Record Power Ltd, Centenary House, 11 Midland Way, Barlborough Links, Chesterfield, Derbyshire, S43 4XA, United Kingdom  
erklärt hiermit, dass die Maschine wie unten beschrieben:-

1. Maschinentyp: **Feinfilternde Staubabsauganlagen**

2. Typenbezeichnung: **CGV286-3, CGV286-4, CGV336-3, CGV336-4, CGV386-5, CGV386-6, CGV286-3-WALL, CGV486-6**

3. Serien Nr: **Technisches Beispiel**

mit den nachfolgenden Europäischen Richtlinien übereinstimmt:-

MASCHINENRICHTLINIE: 2006/42/EC  
ZUSÄTZLICHE VERWENDETE EG-RICHTLINIEN: EMV-Richtlinie 2014/30/EU  
VERWENDETE NORMEN: BS EN 55014-1:2006+A2:2011



und dem Maschinenbeispiel entspricht, für welches das  
EC Typ-Examinierungszertifikat Nr. **CGV286-2 221118, CGV336-3 191118** and **CGV386-6 191118**  
ausgestellt wurde durch DEM Manufacturing Deltron, Emcon House, Hargreaves Way, Sawcliffe Industrial  
Park, Scunthorpe, North Lincolnshire DN15 8RF

Gezeichnet..... Datum: **06/05/2021** – Chesterfield / U.K.

**Andrew Greensted**  
Geschäftsführer

Die technischen Daten erstellt durch Andrew Greensted, Record Power Ltd, Centenary House, 11 Midland Way, Barlborough Links, Chesterfield, Derbyshire, S43 4XA, Vereinigtes Königreich.

<table border="1"><tr><td>EC</td><td>REP</td></tr></table>	EC	REP	Record Power B.V., Verlengde Poolseweg 16, 4818 CL BREDA, Netherlands, Tel: +31 76 52 44 766
EC	REP		

# Table des matières

- 1 Explication des symboles
- 2 Guide général de sécurité et de santé
- 3 Guide de sécurité et de santé complémentaire pour des aspirateurs
- 4 Garantie Record Power
- 5 Caractéristiques
- 6 Contenu du colis
- 7 Montage
- 8 Montage des roulettes optionnelles
- 9 Instructions
- 10 Entretien
- 11 Produits consommables
- 12 Aspiration des poussières
- 13 Liste et schéma des pièces
- 14 Branchement et câblage

Déclaration de conformité EC



Pour enregistrer votre produit visitez notre site

**[www.recordpower.info](http://www.recordpower.info)**

Enregistrez ce produit en ligne en contactant le distributeur agréé de votre pays. Il est important d'enregistrer votre produit le plus tôt possible pour recevoir un service après-vente et d'obtenir les **5 ans de garantie**. Voir fin manuel pour plus d'informations.

# 1. Explication des symboles

**LES SYMBOLES ET LEUR SIGNIFICATION SONT UTILISÉS TOUT AU LONG DU MANUEL.  
SOYEZ SÛR DE PRENDRE L'ACTION APPROPRIÉE QUAND CES AVERTISSEMENTS SONT UTILISÉS.**

## Instructions imposées



lisez et comprenez l'instruction avant d'essayer la machine



Indique qu'une instruction demande de l'attention particulière



Portez des lunettes de protection



Utilisez un masque



Utilisez un casque



Utilisez des chaussures de protection



Utilisez des gants

## Avvertissements



Indique un risque de blessures graves ou endommagement à la machine



Indique un risque de blessures graves d'un choc électrique



Risque de blessures personnelles en levant des objets lourds



Indique un risque de blessures graves causées par des objets aéroportés



Risque d'incendie

# 2. Guide général de sécurité et de santé

**Assurez vous d'avoir lu et compris ces instructions avant d'utiliser ou de monter ce produit.**

**Gardez ce manuel pour plus d'informations.**

**Avertissement:** Pour votre propre sécurité ne veuillez pas utiliser cette machine avant qu'elle ne soit complètement assemblée et installée conformément à ces instructions.

**Avertissement:** Ne pas suivre les avertissements ou les instructions peut entraîner un choc électrique, un incendie et/ou de graves blessures sur les personnes.

## Utilisation en toute sécurité

### 1. Utilisez un équipement de protection personnel

- L'utilisation de toute machine peut provoquer la projection d'objets étrangers dans les yeux ce qui peut provoquer des blessures oculaires. Des protections oculaires ou un masque doivent être utilisés à tout moment. Les lunettes de vue ne sont pas considérées comme des protections oculaires et ne protègent pas de projections latérales.
- Utilisez un équipement de protection respiratoire ( masque à poussière) si l'utilisation de la machine produit de la poussière. Exposé à des hauts niveaux de poussière de bois dur ou tendre ou des composites peuvent provoquer des sérieux problèmes de santé. Quelques bois durs peuvent produire des poussières hautement irritantes qui causent une sensation de brûlures. L'utilisation d'un équipement d'une protection respiratoire ne doit pas remplacer un équipement d'extraction de poussière adapté.
- L'utilisation de protection auditive est recommandée quand la machine est en marche particulièrement quand le niveau de bruit dépasse 85 dB.
- Des gants de protection doivent être utilisés quand vous manipulez des outils tranchant ou des lames. Les gants ne doivent pas être portés lors de l'utilisation de la machine car ils peuvent être happés par des pièces en mouvement.
- Des chaussures de protection antidérapantes sont recommandées lors de l'usage de la machine et pour les manipulations de lourdes pièces.

### 2. Vêtement appropriés

- Ne portez pas des vêtements amples, des colliers ou des bijoux, ils peuvent être happés par des pièces en mouvement.
- Remontez des manches longues au dessus du coude.
- Attachez les longs cheveux.

### 3. Avertissements de sécurité

- Trouvez et lisez toutes les étiquettes de sécurité sur la machine.
- Il est important que toutes les étiquettes concernant les avertissements de santé ou de sécurité ne doivent pas être ôtées, effacées ou recouvertes. Le remplacement de ces étiquettes peut être obtenu en contactant notre service après vente.

### 4. Habituez vous à la machine

- Si vous n'avez pas une connaissance approfondie de l'utilisation de cette machine, demandez des conseils à votre supérieur, instructeur ou une autre personne qualifiée ou contactez votre distributeur pour des stages d'information. N'utilisez pas cette machine avant d'avoir effectué ces stages.

### 5. Faites attention lors du déplacement ou l'installation de la machine

- Les machines peuvent être très lourdes. Assurez vous que le sol peut supporter le poids de la machine.
- La machine et ses composants peuvent être lourds, adoptez toujours des postures adaptées ou demandez de l'aide quand vous déplacez des lourdes charges. Quelques fois il est nécessaire d'utiliser un équipement de levage pour positionner la machine à son espace de travail.
- Certaines machines ont des roulettes en option pour permettre de les manœuvrer dans l'atelier. Assurez vous que l'installation des roulettes est conforme aux instructions fournies.
- La conception de certaines machines fait que le centre de gravité peut être situé assez haut rendant la machine instable lors des déplacements. Une grande prudence doit être prise lors du déplacement de ces machines.

- Si le déplacement de la machine est nécessaire alors toutes les précautions relatives à l'installation et à la manipulation de la machine sont requises.

### 6. La machine doit être de niveau et stable à tout moment

- Quand vous utilisez une patte de maintien ou une base de soutien qui sont conçues pour être installées sur la machine, assurez vous toujours qu'elles soient attachées correctement sur la machine en utilisant les fixations fournies.
- Si la machine est appropriée pour être utilisée sur un support, assurez vous que ce support est bien construit et capable de supporter le poids de la machine. La machine doit toujours être attachée correctement sur le support avec les fixations appropriées.
- Les machines posées directement sur le sol doivent être installées en sécurité sur le sol avec des fixations appropriées à la structure de celui ci.
- La surface du sol doit être solide et de niveau. Toutes les pattes de la machines doivent être en contact avec le sol. Si ce n'est pas le cas, repositionnez la machine à un endroit convenable ou utilisez des cales entre la patte et le sol pour que la machine soit stable.

### 7. Enlevez tout outil de réglage

- Assurez vous que tout outil de réglage et toute clé sont enlevés avant de mettre la machine en fonctionnement. Il y a un sérieux risque de blessures aux personnes ou des dommages à la machine par la projection d'objets.

### 8. Avant le démarrage de la machine

- Débarrassez le chariot de la machine de tout objet. (outils, les copeaux,...)
- Soyez sûr qu'il n'y ait pas de débris entre la pièce à travailler et le porte outil.
- Assurez vous que la pièce n'est pas appuyée, ou ne touche pas la lame de scie ou le tranchant de l'outil.
- Assurez vous que rien en peut bouger pendant l'utilisation de la machine.
- Planifiez comment vous allez travailler et effectuer les manipulations.

### 9. Pendant l'utilisation de la machine

- Avant de commencer le travail, regardez la machine tourner. Si la machine fait un bruit inconnu ou des vibrations excessifs apparaissent, éteignez la machine immédiatement et débranchez la. Ne la rallumez pas avant de trouver la source du problème.

### 10. Gardez l'atelier propre

- Gardez l'atelier propre et laissez de la distance entre les machines, cela permette un travail en toute sécurité. Considérez que selon les dimensions et le matériel à travailler par chaque machine et chaque poste de travail il faudra des servantes et/ou autres tables de travail. Réfléchissez alors à emplacement des machines pour une transformation efficiente de chaque pièce.
- Assurez vous que vous avez assez de place pour effectuer les manipulations pour permettre un travail en toute sécurité.
- Des ateliers ou des établis mal rangés créent le risque d'accidents. Gardez les établis propre et rangez les outils non utilisés.
- Assurez-vous vous que le sol est propre et dégagé de toute poussière et de débris qui peuvent entraîner des glisses.

### 11. L'environnement de l'atelier

- Ne pas exposer la machine à la pluie ou à des vapeurs.
- Assurez vous que l'atelier soit bien illuminé si il n'y a pas assez de lumière naturelle disponible. La lumière artificielle permet d'éclairer les ombres de l'atelier. La lumière évite les problèmes oculaires.
- N'utilisez pas la machine dans des environnements explosifs p.ex en présence des liquides inflammables, gaz ou des poussières.
- La présence d'une quantité importante de poussières peuvent engrainer le risque d'incendie ou d'explosions. Utilisez toujours une extraction de poussière pour réduire ce risque.

## 2. Guide général de sécurité et de santé

### 12. Gardez les personnes et les animaux domestiques à l'écart de la machine

- La machine est conçue pour une seule personne.
- Ne laissez pas d'autres personnes, en particulier des enfants, toucher la machine ou les câbles et gardez les visiteurs à l'écart de l'atelier.
- Ne laissez jamais la machine allumée si vous ne l'utilisez pas. Ne quittez pas la machine avant qu'elle s'est arrêtée complètement.
- Si vous quittez l'atelier, toute machine doit être éteinte et déconnectée du réseau électrique.

### 13. Rangez les machines en toute sécurité quand elles ne pas utilisées

- Quand les machines ne sont pas utilisées, rangez les dans un endroit sec, hors portée des enfants. Ne laissez pas d'autres personnes incompetentes avec ces instructions ou manipuler la machine.

### 14. Adaptez le travail à votre capacité, ne visez pas trop haut

- Choisissez une position de travail qui permet à votre corps de garder l'équilibre à tout moment quand vous travaillez une pièce.
- Gardez un bon appui et équilibre à tout moment.

### 15. Courant électrique

- Des circuits électriques de chaque machine sont adaptés pour supporter la capacité de tout moteur. Les prises doivent être situées à coté de chaque machine pour éviter que les câbles gênent le travail. Observez les réseaux électrique attentivement quand vous installez des nouvelles prises ou des circuits électriques.
- La machine doit être reliée à la terre.
- L'alimentation électrique doit toujours être équipée d'un interrupteur et d'une fuite de protection reliée à la terre.
- Le voltage de la machine doit toujours correspondre à l'alimentation électrique utilisée.
- Les prises installées sur la machine doivent toujours correspondre avec la sortie d'alimentation. Ne modifiez pas la prise dans aucun sens. Si vous remplacez la prise, il est demandé qu'elles soient effectuées par une personne compétente et d'un modèle correct et adapté pour la machine.
- Si vous avez des doutes, demandez conseils à un électricien qualifié.

### 16. Évitez le démarrage involontaire de la machine

- La plupart des machines sont équipées d'un disjoncteur qui prévient tout démarrage involontaire. En cas de doute, assurez vous que l'interrupteur est sur OFF avant de brancher le secteur cela signifie que la machine ne repartira pas après une panne d'alimentation ou à la mise en route du secteur à moins que vous n'appuyez sur le bouton de démarrage.

### 17. Utilisation de la machine à l'extérieur

- Votre machine ne s'utilise pas à l'extérieur.

### 18. Rallonges

- L'utilisation des rallonges n'est pas recommandée. Si l'utilisation des rallonges est nécessaire, elle doit avoir un diamètre minimum de 2,5mm et une longueur maximale de 3 mètres.
- Les rallonges doivent être dégagées du trajet pour éviter des risques de chutes.

### 19. Protège main contre choc électrique

- Évitez le contact corporel avec des surfaces conductrices comme les tuyaux et les radiateurs. Il y a un risque de choc électrique quand vous êtes en contact avec le sol.

### 20. Travaillez toujours dans les capacités de la machine

- La sécurité de l'opérateur et les performances de la machine sont affectés si vous dépassez les capacités de la machine.

### 21. N'abusez pas le câble électrique

- Ne tirez jamais le câble pour déconnecter la machine de son alimentation électrique. Utilisez toujours l'interrupteur
- Gardez le câble à distance de chaleur, huile et des objets pointus.

- N'utilisez pas le câble pour porter ou déplacer la machine.

### 22. Fixez la pièce à travailler sur la machine

- Assurez vous que la pièce soit bien fixée sur la machine avant de d'allumer la machine et avant de effectuer les manipulations.
- Quand vous travaillez des pièces de moins de 300mm utilisez toujours un poussoir pour rapprocher la pièce de la lame ou de l'outil coupant. Le poussoir doit avoir une longueur d'au moins 400mm. Si le poussoir est endommagé veuillez le remplacer.
- Utilisez des rallonges de support (ex. servante à rouleau) pour toute pièce de grande dimension qui peuvent s'incliner si elle dépasse la table de travail.
- N'employez une autre personne à la place d'une extension ou d'une rallonge pour une pièce plus longue ou plus large que la table de base, pour soutenir ou pousser la pièce de bois.
- N'essayez pas d'usiner plus d'une pièce à la fois.
- Quand vous approchez la pièce de la lame ou de l'outil coupant, ne jamais positionner votre main dans la ligne de coupe. Évitez les opérations maladroites ou une position des mains qui peuvent faire entrer doigts ou mains dans la zone de travail lors de brutaux glissements.

### 23. Restez attentif

- La sécurité est la combinaison de la raison et promptitude de l'opérateur à tout moment lors d'utilisation de la machine.
- Utilisez les machines en toute prudence et ne les utilisez pas quand vous êtes fatigué ou sous influence de drogue, alcool ou de médicaments.

### 24. Utilisez le bon outil

- N'utilisez pas la machine pour un but pour lequel la machine n'a pas été conçue.
- Quand vous remplacez des outils tranchants ou des lames, assurez vous qu'ils sont conçus pour couper des matériaux en bois. Si vous avez des doutes demandez conseils à votre revendeur.

### 25. Branchez un équipement d'extraction de poussière

- Utilisez toujours un équipement d'extraction de poussière. L'extraction de poussière doit être d'une capacité appropriée pour la machine à laquelle elle est connectée et un niveau de filtration adapté pour le type de débris qui sont produits. Reportez vous au paragraphe pour plus d'informations sur l'extraction de poussière.
- L'extraction de poussière doit être branchée et allumée avant d'allumer la machine. Laissez tourner l'extraction de poussière encore 30 secondes après la dernière manipulation pour enlever les débris de la pièce travaillée.

### 26. Assurez vous que la machine soit bien protégée

- N'utilisez jamais la machine si les interrupteurs de sécurité sont endommagés ou enlevés.
- Des machines sont équipées de contact de sécurité qui empêchent l'utilisation si les protections ne sont pas en place. N'essayez pas de contourner ou de modifier ces contacts pour permettre à la machine de fonctionner sans protection.

### 27. Entretenez votre machine avec soin

- Ce manuel vous donne des instructions précises pour l'installation, configuration et l'utilisation de la machine ainsi que les détails pour l'entretien courant et préventif qui doit être effectué par l'utilisateur.
- Souvenez vous de toujours arrêter et de débrancher la machine du secteur avant de procéder à la configuration ou à l'entretien.
- Suivez ces instructions pour l'entretien des accessoires et des consommables.
- N'utilisez pas d'air comprimée pour nettoyer la machine. Utilisez une brosse pour enlever la poussière qui est difficile à atteindre et un aspirateur pour collecter les déchets.
- Inspectez régulièrement les câbles électriques et s'ils sont endommagés, faites les remplacer par une entreprise ou un électricien qualifié.
- Inspectez régulièrement les rallonges (si vous en utilisez) et remplacez les si elles sont endommagées.

## 2. Guide général de sécurité et de santé

### 28. Gardez le tranchant des outils affûtés et propres

- Un entretien correct des outils est facilité s'ils sont parfaitement rangés.
- Les tranchants et les lames chauffent pendant l'utilisation. Faites attention lors de leurs manipulations et laissez les refroidir avant de les changer, régler ou affûter.

### 29. Débranchez la machine

- Quand elle n'est pas utilisée, avant l'entretien ou un changement, débranchez la machine secteur.

### 30. Inspection des pièces endommagées

- Avant chaque utilisation de la machine, il est prudent d'inspecter la machine pour déterminer ce qui permettra un fonctionnement correct et un usage comme prévu.
- Inspectez l'alignement et le fonctionnement des pièces en mouvement. La rupture des pièces ou tout autre inconvénient qui nuirait au bon fonctionnement de la machine.
- Une protection ou toute pièce endommagée doit être correctement réparée ou changée par une personne qualifiée en respectant ce manuel.
- N'utilisez pas la machine si dont l'interrupteur ne se positionne pas sur ON ou OFF.

- faites remplacer les interrupteurs défectueux par une personne qualifiée.

### 31. Attention

- l'utilisation de tous accessoires, autres que mentionnés dans ce manuel ou recommandés par notre société peuvent provoquer des blessures à l'utilisateur ou des dommages à la machine annulant la garantie de la machine.

### 32. Faites réparer votre machine par une personne qualifiée

- Cette machine respecte les règles de sécurité de référence en accord avec ces instructions et quand toutes les protections et équipements sont mis en place seules des personnes qualifiées utilisant des pièces détachées d'origine sont habilitées à procéder aux réparations.

### 33. Attention! Le moteur peut devenir chaud pendant l'utilisation.

- Il est normal pour les moteurs de ces machines de devenir chaud au toucher pendant l'utilisation. Évitez de toucher le moteur lors de l'utilisation.



# 3. Guide de sécurité et de santé complémentaire pour des aspirateurs

## 1. Opérez en toute sécurité

- Les aspirateurs doivent être positionnés sur un sol à niveau. Assurez-vous qu'il n'y a pas de débris entre le support de la machine et le sol.
- Les aspirateurs muraux ou ceux utilisés avec la fixation murale optionnelle, doivent être fixés à un mur en parpaings ou en briques avec les fixations adaptées qui correspondent au poids de la machine. Si vous installez sur un mur à ossatures, assurez-vous que les fixations soient situées sur les ossatures du mur. Des plaques de plâtre seules ne sont pas assez solides pour supporter le poids de la machine.
- Pour le montage mural d'un aspirateur prenez en compte du poids important de celui-ci lorsqu'il est plein de débris afin de bien sélectionner le type de fixations.
- Ne positionnez jamais l'aspirateur sur une surface surélevée ou un établi.
- Dans tous les cas, positionnez l'aspirateur aussi près que possible du lieu d'utilisation.
- Il peut être nécessaire d'augmenter ou réduire le diamètre du tuyau d'aspiration en fonction de l'utilisation. Ne jamais trop détendre le tuyau plus que nécessaire.
- La force de succion seule peut tirer l'aspirateur vers le tuyau, surtout quand le tuyau a été trop étiré ou si un kit de roue optionnel est installé. Ne vous mettez jamais entre l'aspirateur et la machine sur laquelle il est branché.

## 2. Familiarisez vous avec la machine

- Si vous n'êtes pas vraiment habitué aux aspirateurs, prenez garde aux risques inhérents dus aux fonctionnements de la machine. À l'intérieur il y a des pièces en mouvement qui peuvent causer des blessures graves. Suivez toujours strictement toutes les mesures de sécurité détaillées dans ce manuel quand vous l'utilisez, la videz ou pour l'entretien.

## 3. Avant d'allumer la machine:

- Déposez la lanière, qui est utilisée pour assurer le montage du couvercle au corps avant l'utilisation. Ne jamais utiliser la machine avec cette lanière fixée qui assure la protection de la machine pendant le transport.
- Assurez-vous que l'interrupteur de la machine est sur OFF avant de brancher ou de débrancher du secteur.
- Assurez-vous que le tuyau de l'aspirateur est correctement fixé à la sortie de l'aspirateur.
- Assurez-vous que la cartouche et le filtre en papier sont correctement positionnés avant d'utiliser l'aspirateur. Un manquement entraîne un encrassement du moteur par la poussière. Assurez-vous toujours d'une bonne étanchéité entre le filtre et l'enveloppe du moteur.
- Contrôlez que le filtre de tambour est en place (sur certains modèles seulement) avant de replacer le couvercle de la machine.
- Contrôlez que le sac à poussière (sur certains modèles seulement) est bien fixé en non endommagé. S'il est endommagé, remplacez le sac à poussière avant de démarrer la machine.

## 4. Pendant l'utilisation de l'aspirateur:

- Ne couvrez pas complètement l'extrémité du tuyau d'aspiration car la machine peut être tirée vers le tuyau.
- N'essayez pas d'enlever le couvercle du corps du tambour.
- N'essayez pas d'utiliser l'aspirateur sans que le tuyau d'aspiration ne soit fixé à l'entrée du corps du tambour.
- Ce produit est pour un usage à sec seulement et ne doit pas être utilisé ou rangé à l'extérieur ou en milieux humides.

- Tous les aspirateurs Record Power sont conçus seulement pour la poussière de bois et des copeaux. N'utilisez pas la machine pour enlever des vapeurs, des fumées, des gaz ou autres matériaux comme la poussière de plâtre, car il y a un risque de combustion. Si vous ne respectez pas ces consignes, la garantie sera annulée et il pourra résulter des dommages pour la machine ou des blessures graves pour l'utilisateur.
- N'utilisez pas la machine pour ramasser des poussières dangereuses.
- Si le tuyau se bouche, arrêtez immédiatement la machine pour éviter tout dommage et débranchez du secteur avant d'enlever le bouchon. N'essayez jamais de mettre la main dans le tuyau ou par l'ouverture de l'aspirateur quand il est en fonctionnement.
- N'aspirez pas des liquides ou des débris de métaux (comme des clous ou agrafes) ou des substances combustibles.
- Assurez-vous que la machine est utilisée dans un endroit bien aéré.
- Lors de la vidange de la machine, il faut porter un masque pour se protéger de la poussière de bois potentiellement dangereuse.

## 5. Evitez des incendies

- La poussière de bois est combustible et quand elle est dans l'air, elle peut former un nuage qui peut exploser quand la concentration dans l'air dépasse 40 g/m<sup>3</sup>.
- Des étincelles peuvent couvrir dans la poussière pendant un long moment avant qu'un feu ou des flammes soient détectés. S'il y a un contact métal/métal pendant l'opération, arrêtez immédiatement la machine et débranchez le câble électrique de la prise et attendez l'arrêt complet du moteur. Videz la poussière dans une caisse métallique en cas d'étincelles. Remédiez au contact métal/métal avant de reprendre l'aspiration.
- N'utilisez pas l'aspirateur dans des environnements qui contiennent des risques explosifs comme des veilleuses, des flammes, des vapeurs, des gaz ou des quantités de poussière importantes.

## 6. Entretien

- Arrêtez la machine et débranchez la, attendez que le moteur s'arrête complètement avant de régler ou de faire l'entretien comme le vider ou de remplacer les filtres.
- Quand vous remplacez les filtres, gardez vos mains à distance de l'hélice du ventilateur à l'intérieur du moteur.
- Un filtre en papier doit toujours être positionné dans la cartouche de filtration, ils filtrent des particules d'une taille inférieure à 0,5 microns qui nuisent le plus à la santé.
- N'allumez pas l'unité principale si elle n'est pas reliée au tambour collecteur ou au corps. La force centrifuge créée par le moteur assurera la rotation de la tête très vite et peut causer de sérieuses blessures.
- Si la machine devient chaude pendant l'utilisation, cela signifie que les filtres sont bouchés et nécessitent d'être nettoyés. Des dommages à la machine causés par des filtres bouchés ne seront pas pris en compte par la garantie.
- 7. L'élimination ou le contrôle des risques par la poussière de bois est couvert par la loi de 1974 'santé et sécurité au travail', les 'dispositions et utilisations des équipements de travail 1998' et les 'règlements pour le contrôle des substances dangereuses pour la santé (COSHH) 2002'. Nous vous recommandons d'étudier et de suivre ces réglementations. Plus d'informations peuvent être obtenues auprès de la direction de la santé et de la sécurité et sur leur site [www.hse.gov.uk](http://www.hse.gov.uk).

# 4. Garantie Record Power

“**Produits**” signifie les produits vendus par Record Power, ils sont sujets aux conditions suivantes.

“**Record Power**” signifie Record Power Limited, dont son numéro registraire est 4804158 et l’address est Centenary House, 11 Midland Way, Barlborough Links, Chesterfield, Derbyshire S43 4XA et vend par un réseau de distributeurs autorisés.

“**Distributeur autorisé**” est l’importer sélectionne de votre région et qui peut vendre les produits parmi des revendeurs autorisés. Les détails des revendeurs peuvent être trouvés dans le manuel de produits ou sur [www.recordpower.info](http://www.recordpower.info);

“**Revendeur autorisé**” est celui autorisé de vendre les produits Record Power aux utilisateurs finals.

## 1 Garantie

- 1.1 La garantie Record Power compte pour une période de 5 ans dès l’achat de la machine et ses pièces et prend en compte toute les défauts causés par la construction ou fabrication.
- 1.2 Pendant cette période Record Power, le distributeur ou revendeur autorisé réparera ou remplacera la pièce défectueuse en en accord avec les paragraphes 1,1 ce dessus.
- 1.2.1 Vous suivez les la procédure de réclamation exposée dans la clause 2 ci dessus.
- 1.2.2 Record Power, ou son revendeur donne une raison valable après la réception de la demande de réclamation pour examiner le produit.
- 1.2.3 il est demandé de faire ainsi par Record Power, ses importateurs ou ses revendeurs vous retourner le produit à votre charge, dans les locaux Record Power ou en autres locaux désignés par importateur ou le revendeur.
- 1.2.4 Le défaut constaté ne doit pas résulter d’un usage industriel, d’un dommage accidentel, d’usure ou de déchirement, d’un dommage intentionnel, de négligence d’un branchement électrique incorrect des conditions de travail inadaptées, non respect de nos instructions, mauvaise utilisation ou modifications ou des réparations sans notre accord.
- 1.2.5 Le produit a été utilisé pour un usage domestique.
- 1.2.6 Le défaut ne doit pas porter sur des consommables comme des lames, roulements, courroie ou autres pièces d’usure que l’on peut raisonnable s’attendre à ce qu’ils usent à des moments différents selon l’usage. (pour plus d’informations contactez Record Power ou votre revendeur.)
- 1.2.7 Le produit n’a pas été loué par vous ou par un précédent propriétaire.
- 1.2.8 le produit a été acheté par vous car la garantie n’est pas transférable lors d’une vente privée.
- 1.2.9 Si le produit a été vendu par un revendeur les 5 ans de garantie sont transférable et commencent à la date du premier achat du produit et en cas de réclamation sous garantie, la date de l’achat originale sera exigée pour valider la période de garantie.

## 2 Procédure de réclamation

- 2.1 Veuillez contacter en premier le revendeur qui vous a fourni la machine. Selon notre expérience, de nombreux problèmes avec la machine ne proviennent pas de pièces défectueuses mais ils peuvent se régler par un montage et réglage correct de la machine. Un bon revendeur est capable de régler la majorité de ces problèmes plus vite qu’en engageant une procédure de garantie.
  - 2.2 Tout dommage du produit entraînant une réclamation sous garantie doit être effectuée auprès du revendeur agréé dans un délai de 48 heures.
  - 2.3 Si le revendeur agréé qui a fourni le produit n’est pas capable de satisfaire votre requête, une réclamation sous garantie peut être adressée à Record Power ou de son importateur. (pour plus d’informations sur l’importateur de votre pays reportez vous à la fin de ce manuel ou sur le site [www.recordpower.uk](http://www.recordpower.uk). La réclamation doit mentionner la date et le lieu d’achat et une explication du problème . La lettre peut être envoyée à Record Power ou à son importateur avec une preuve d’achat. ( de préférence une facture.) Si vous joignez un numéro de téléphone ou une adresse mail cela peut accélérer la procédure.
  - 2.4 Notez bien qu’il est indispensable que la lettre parvienne à Record Power ou à son importateur avant le dernier jour de la garantie. Les réclamations tardives ne seront pas prises en compte.
- ## 3. Limité de responsabilité.
- 3.1 Nous fournissons des produits pour un usage privé et domestique. Vous acceptez de ne pas utiliser ce produit pour une activité commerciale ou industrielle ou de revente et nous ne sommes pas responsables d’une perte de profit, de perte d’une affaire, d’une interruption d’activité ou de la perte d’une opportunité d’affaire.
  - 3.2 La garantie ne vous donne pas d’autres droits que ceux mentionnés ci dessus et ne couvre pas les réglementations de perte ou de dommage. La garantie est offerte comme un avantage en plus et n’affecte en rien vos droits de consommateur.
- ## 4. Remarque
- La garantie s’applique sur tous les produits vendus par un revendeur de Record Power au sein du Royaume-Uni de Grande Bretagne et l’Irlande du Nord. Les termes de cette garantie peuvent être modifiées dans votre pays. Veuillez contacter votre importateur (détails dans ce manuel ou sur [www.recordpower.info](http://www.recordpower.info)).

# 5. Caractéristiques

## **CGV286-3** 36 L 1kW Aspirateur compacte

UK **104700**, AUS **104710**, EU **104720**

Filtration: 0.5 microns

Flux d'air: 54 litres/seconde

Capacité: 36 litres

Moteur: 1kW

Diamètre entrée : 4"

Poids: 8,5 kg

Dimensions: L355 x P355 x H455 mm

Niveau sonore avec le couvercle d'échappement : 73.6 dB

Niveau sonore avec le tuyau : 68.7 dB

## **CGV336-4** 55 L 2 x 1kW Aspirateur moyen

UK **104810**, AUS **104820**, EU **104830**, US **104840**

Filtration: 0.5 microns

Flux d'air: 108 litres/seconde

Capacité: 55 litres

Moteur: 2 x 1kW

Diamètre entrée : 4"

Poids: 13 kg

Dimensions: L355 x P355 x H680 mm

Niveau sonore avec le couvercle d'échappement : 82.4 dB

Niveau sonore avec le tuyau : 75.1 dB

## **CGV286-4** 36 L 2 x 1kW Aspirateur compact

UK **104770**, EU **104780**

Filtration: 0.5 microns

Flux d'air: 108 litres/seconde

Capacité: 36 litres

Moteur: 2 x 1kW

Diamètre entrée : 4"

Poids: 11 kg

Dimensions: L355 x P355 x H455 mm

Niveau sonore avec le couvercle d'échappement : 82.4 dB

Niveau sonore avec le tuyau : 75.1 dB

## **CGV386-5** 90 L 2 x 1kW Aspirateur large

UK **104850**, AUS **104860**, EU **104870**

Filtration: 0.5 microns

Flux d'air: 108 litres/seconde

Capacité: 90 litres

Moteur: 2 x 1kW

Diamètre entrée : 4"

Poids: 13 kg

Dimensions: L465 x P465x H630 mm

Niveau sonore avec le couvercle d'échappement : 82.4 dB

Niveau sonore avec le tuyau : 75.1 dB

## **CGV286-3-WALL** 150 L 2 x 1kW Aspirateur mural compact

UK **104730**, AUS **104740**, EU **104750**, US **104760**

Filtration: 0.5 microns

Flux d'air: 108 litres/seconde

Capacité: 150 litres

Moteur: 2 x 1kW

Diamètre entrée : 4"

Poids: 13 kg

Dimensions: L355 x P385 x H930 mm

Niveau sonore avec le couvercle d'échappement : 82.4 dB

Niveau sonore avec le tuyau : 75.1 dB

## **CGV386-6** 90 L 3 x 1kW Aspirateur large

UK **104880**, AUS **104890**, EU **104900**, US **104910**

Filtration: 0.5 microns

Flux d'air: 162 litres/seconde

Capacité: 90 litres

Moteur: 3 x 1kW

Diamètre entrée : 4"

Poids: 19,5 kg

Dimensions: L465 x P465x H630 mm

Niveau sonore avec le couvercle d'échappement : 82.8 dB

Niveau sonore avec le tuyau : 75.6 dB

## **CGV336-3** 55 L 1kW Aspirateur moyen

UK **104790**, EU **104800**

Filtration: 0.5 microns

Flux d'air: 54 litres/seconde

Capacité: 55 litres

Moteur: 1kW

Diamètre entrée : 4"

Poids: 10,5 kg

Dimensions: L355 x P355 x H680 mm

Niveau sonore avec le couvercle d'échappement : 73.6 dB

Niveau sonore avec le tuyau : 68.7 dB

## **CGV486-6** 200 L 3 x 1kW Aspirateur toute épreuve

UK **104930**, EU **104940**

Filtration: 0.5 microns

Flux d'air: 162 litres/seconde

Capacité: 200 litres

Moteur: 3 x 1kW

Diamètre entrée : 4"

Poids: 28,5 kg

Dimensions: L600 x P600 x H925 mm

Niveau sonore avec le couvercle d'échappement : 82.8 dB

Niveau sonore avec le tuyau : 75.6 dB

## 6. Contenu du colis



Illustration montrant le  
Modèle CGV336-3

- 1 CamVac Aspirateur haute filtration avec sac de filtre en tissu monté
- 2 Moteur sac de filtre en tissu\*
- 3 Moteur sac de filtre en papier\*
- 4 150 x 12 mm élastique\*
- 5 Sac poubelles\*\*
- 6 Crochet mural\*\*
- 7 Élastique\*\*
- 8 **ZAMV** de 100 mm de section et de 2 m de long
- 9 **105100** raccord d'entrée à baïonnette
- 10 **DX100X** Manchette de tuyau de 100 mm à ajustement facile

\* une pièce par moteur

\*\* Seulement fourni avec le modèle **CGV286-3-WALL**

# 7. Montage



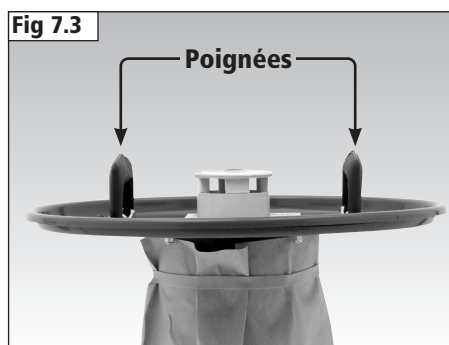
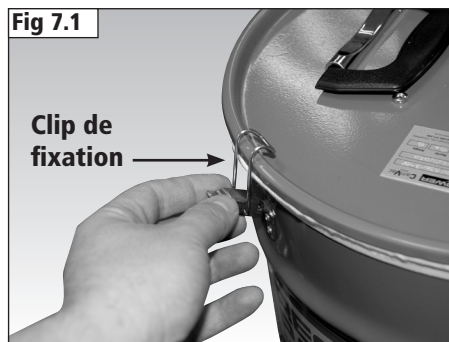
L'aspirateur doit être débranché et l'interrupteur sur OFF avant de commencer le montage ou l'entretien.

Le **CGV286**, **CGV286-3-WALL** et **CGV336**, possèdent un clip de fixation pour fixer la tête sur le corps de la machine. Dévissez les 3 clip de fixation comme montré à la **Fig.7.1** et enlevez la tête en utilisant les deux poignées montrées à la **Fig.7.3**.

Le **CGV386** et le **CGV486**, possèdent une sangle de retenue pour fixer la tête sur le corps de la machine, montré à la **Fig. 7.2**, Dévissez la sangle et enlevez la tête en utilisant les 2 poignées, **Fig. 7.3**.

Mettez la tête de la machine en bas et mettez-la sur le tambour, **Fig. 7.4**.

Mettez le filtre en tissu sur la cage du moteur, **Fig. 7.5**.



# 7. Montage

Mettez le sac de filtre en papier sur le sac de filtre en tissu, **Fig. 7.6** et fixez-le en utilisant l'élastique.

Remontez la tête sur la machine et fixez la en utilisant les 3 clips de fixation.

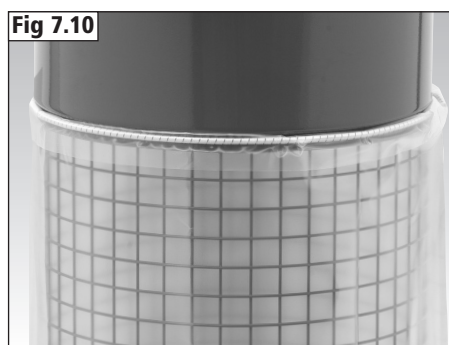
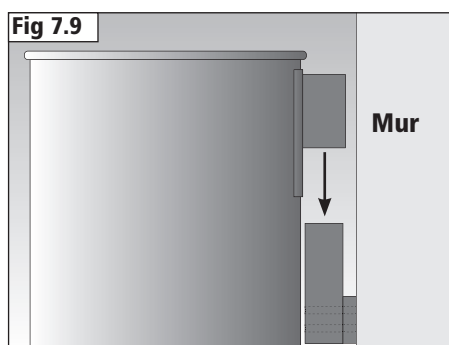
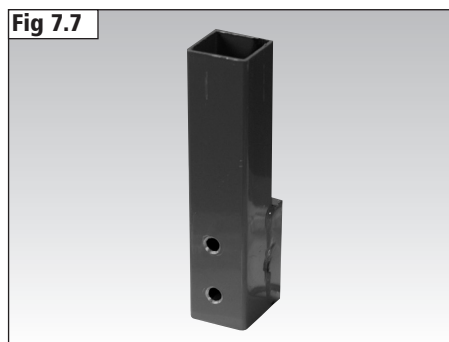
## Installation de l'extracteur mural CGV286-3-WALL

Attachez le crochet mural au mur en utilisant des fixations appropriées (pas fournies) et assurez-vous qu'il soit orienté comme montré à la **Fig. 7.7**, avec les trous en bas.

Le crochet mural se trouve dans la plaque de montage sur l'arrière de la machine, **Fig.7.8**.

Pour accrocher la machine au mur, Montez-la sur le crochet, **Fig. 7.9**.

Pour finir le montage et installation des modèles muraux, attachez le sac collecteur à l'extérieur de la cage et fixez avec l'élastique. **Fig. 7.10**.





# 7. Montage

## Fixation du raccord à baïonnette d'entrée au tuyau de 4" de diamètre

Fixez une extrémité du tuyau sur l'extrémité lisse du raccord d'entrée à baïonnette, en vous assurant que l'extrémité du tuyau touche le collier central, **Fig 7.11**.

## Fixation du raccord à baïonnette d'entrée à l'entrée de l'aspirateur de poussière

Placez le raccord à baïonnette d'entrée dans l'entrée de la machine, en vous assurant que les points de connexion mâles sont correctement alignés avec les fentes de connexion femelles sur l'entrée, **Fig 7.12** et **Fig 7.13**.

Une fois fixé, tournez le raccord à baïonnette d'entrée dans le sens des aiguilles d'une montre pour le verrouiller en position. Pour le déverrouiller, tournez-le dans le sens inverse des aiguilles d'une montre.

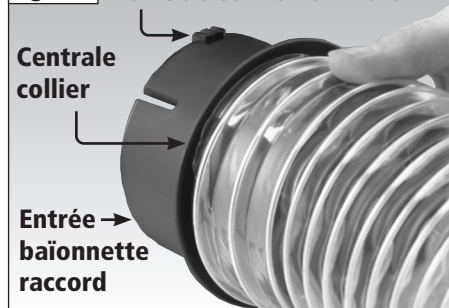
## Raccordement du tuyau de 63 mm de diamètre à l'entrée de l'aspirateur

Fixez le réducteur optionnel **40025** de 4" / 100 mm à 2 1/2" / 63 mm à l'extrémité lisse du raccord à baïonnette d'entrée. Ensuite, fixez le tuyau de 2 1/2" / 63 mm dans le réducteur de 4" / 100 mm à 2 1/2" / 63 mm et fixez le raccord à baïonnette d'entrée dans l'entrée de l'extracteur, **Fig 7.14**.

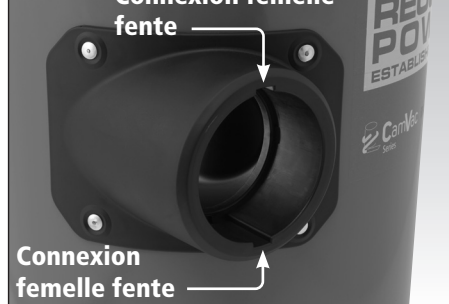
## Installation du tuyau de 4" / 100 mm de diamètre à l'entrée de l'aspirateur CGV486-6

Fixez le tuyau de 4" / 100 mm de diamètre à l'entrée de l'aspirateur de poussière **CGV486-6** à l'aide du collier de serrage **DX100X** de 4" / 100 mm fourni, comme indiqué sur la **Fig 7.15**.

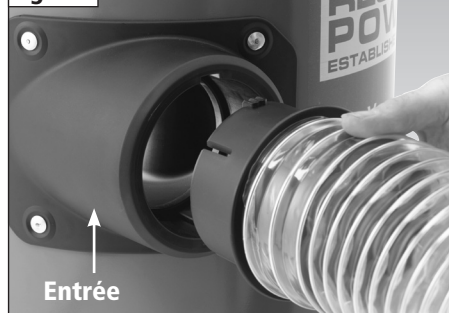
**Fig 7.11** Point de connexion mâle



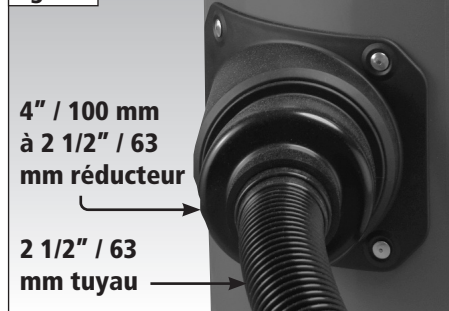
**Fig 7.12** Connexion femelle fente



**Fig 7.13**



**Fig 7.14**



**Fig 7.15**





# 7. Montage

## Installation du tuyau de 2 1/2" / 63 mm de diamètre à l'entrée de l'aspirateur de poussière CGV486-6

Pour fixer le tuyau de 2 1/2" / 63 mm de diamètre, le réducteur optionnel 40025 de 4" / 100 mm à 2 1/2" / 63 mm doit être monté sur l'entrée de 4" / 100 mm et le tuyau doit être monté sur le réducteur comme indiqué sur la Fig 7.16.

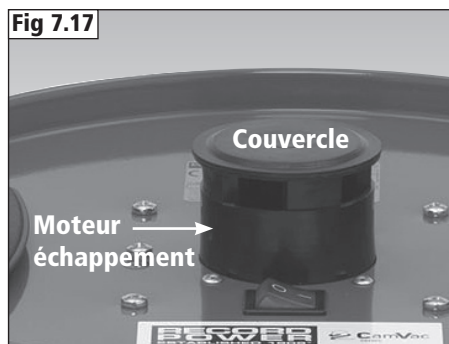
## Utilisation de l'échappement du moteur

Chaque moteur de aspirateur est équipé d'un échappement de moteur comme indiqué sur la Fig 7.17. Cela permet de réduire le niveau sonore de la machine pendant son fonctionnement.

Pour une réduction du bruit encore plus importante, le tuyau optionnel de 2 1/2" 63 mm peut être installé comme indiqué sur la Fig 7.18 en retirant le couvercle de l'échappement du moteur et en plaçant le tuyau à l'intérieur. En plaçant l'extrémité du tuyau à travers une sortie telle qu'une fenêtre vers une zone séparée, le bruit restant sera dirigé hors de la zone de travail.

Voir page 63 pour les niveaux sonores (dB) de chaque modèle.  
Raccordement du tuyau à la sortie d'extraction de la poussière de la machine à bois

De nombreuses machines à bois sont équipées de sorties de 4" / 100 mm permettant de raccorder le tuyau de 4" / 100 mm directement à la machine. Pour les sorties d'autres tailles, Record Power propose une large gamme d'adaptateurs et de réducteurs. Visitez votre revendeur local ou allez en ligne pour plus de détails sur la gamme complète.



# 8. Montage des roulettes optionnelles

Il y a 3 tailles de roulettes disponibles pour les modèles suivants:

**CVA286-27-100** 286 / 336 Castor Set

compatible avec:

**CGV286-3** 36 L 1kW aspirateur compacte

**CGV286-4** 36 L 2 x 1kW aspirateur compacte

**CGV336-3** 55 L 1kW aspirateur moyen

**CGV336-4** 55 L 2 x 1kW aspirateur moyen

**CVA386-27-100** 386 Castor Set

compatible avec:

**CGV386-5** 90 L 2 x 1kW aspirateur large

**CGV386-6** 90 L 3 x 1kW aspirateur large

**CVA486-27-100** 486 Castor Set

compatible avec:

**CGV486-6** 200 L 3 x 1kW aspirateur toute épreuve

Les roulettes sont complètement montées et prêtes à être montées sur l'aspirateur.

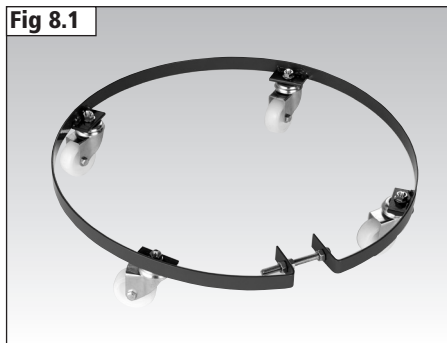
Enlevez la tête de l'aspirateur, videz le tambour et mettez-le à l'envers, **Fig. 8.2**, mettez les roulettes à l'intérieur du rebord du tambour.

Les roulettes possèdent deux écrous, **Fig. 8.3**. Déserrez l'écrou de réglage extérieur pour que le cadre des roulettes s'étend, puis resserrez l'écrou de réglage intérieur jusqu'à ce que le cadre tienne en place dans le rebord.

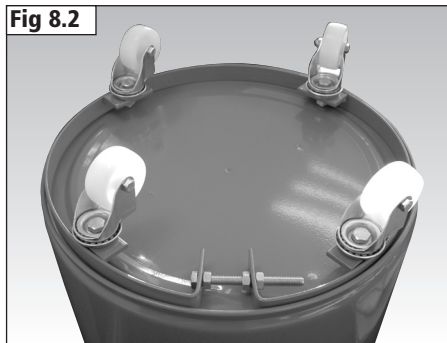
Resserrez l'écrou de réglage extérieur pour maintenir le cadre en place, **Fig. 8.4**.

Les roulettes sont alors correctement installées, **Fig. 8.5**.

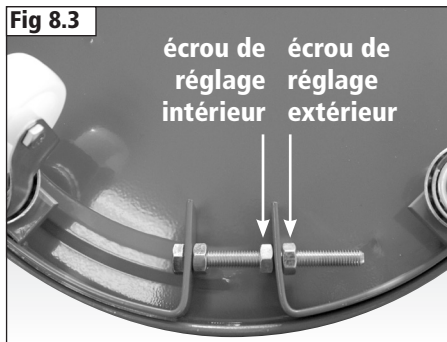
**Fig 8.1**



**Fig 8.2**



**Fig 8.3**



**Fig 8.4**



**Fig 8.5**



# 9. Instructions



Lors de l'utilisation de la machine, équipez-vous de protections.

La série d'aspirateurs CamVac ont été conçues pour aspirer de la poussière pour assurer un bon fonctionnement. Faites attention de ne pas endommager les filtres lors de l'aspiration des débris pointus.

Les aspirateurs sont faits pour aspirer une large gamme de débris. Demandez des conseils à votre vendeur local.

**N'aspirez jamais des débris mouillés.**

Assurez-vous que l'aspirateur est bien branché à la machine utilisée. Allumez toujours la machine par le bouton comme montré dans la **Fig. 9.1**.

Si la machine possède plusieurs moteurs adaptez le niveau d'aspiration. L'aspirateur peut être utilisé pour aspirer des débris par terre dans l'atelier. Il est recommandé d'utiliser, pour cette tâche, d'utiliser le tuyau 4" ou 2 1/2", voir **Fig. 9.2**. Si le tuyau rentre en contact complètement avec le sol, **Fig. 9.3**, la machine peut tomber en avant.



**Important : Laissez l'aspirateur toujours tourner 15 minutes après la fin du travail. Ne laissez l'aspirateur pas allumé plus de 2 heures de suite pour éviter que le moteur surchauffe. Si vous ne respectez pas ce consigne annulera la garantie.**

**Redémarrer la machine**

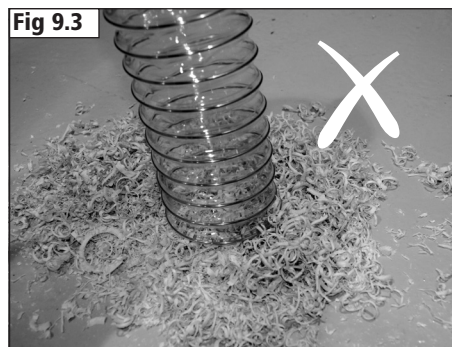
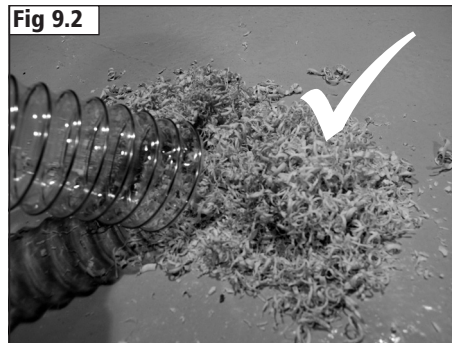
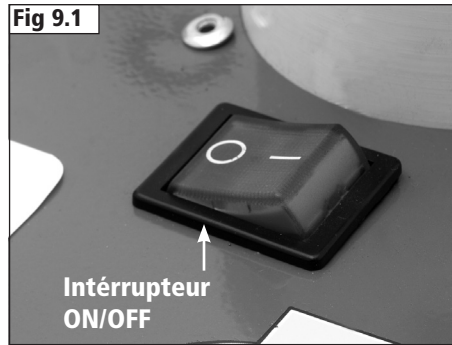
**Redémarrer après in blocage**

Quand un objet se coince dans le tuyau de l'aspirateur, éteignez tout de suite la machine en appuyant sur l'interrupteur et attendez que la machine s'arrête complètement avant d'entreprendre toute action. Débranchez la machine. Enlevez ensuite l'objet dans le tuyau. Redémarrez la machine.

**Redémarrer la machine après une coupure d'électricité**

En cas d'une coupure d'électricité, mettez l'interrupteur sur OFF, localisez et rectifiez le problème à l'origine de la coupure. Quand le problème se trouve dans l'atelier, le circuit peut être surchargé. Faites venir un électricien qualifié, avant de remettre l'électricité.

Quand le courant est revenu, appuyez sur ON.



# 10. Entretien



**Débranchez toujours la machine avant de commencer l'entretien de la machine.**

## Vider l'extracteur

Videz régulièrement l'extracteur pour assurer une performance optimale de la machine et éviter tout endommagement au moteur.

## Entretien des filtres



**Les sacs de filtre doivent être remplacés après 20 heures de travail.**

**Les sacs en tissu doivent être lavés à l'eau froide et séchés après 20 heures de travail, pour assurer une performance optimale et éviter tout endommagement au moteur. Si ces conseils ne sont pas suivis, cela annulera la garantie.**

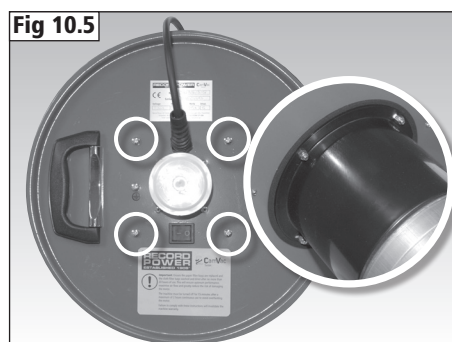
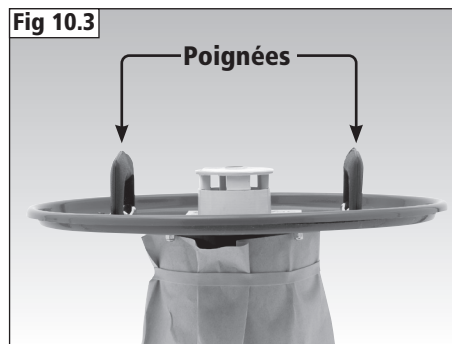
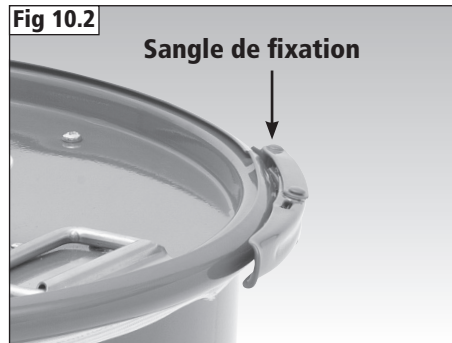
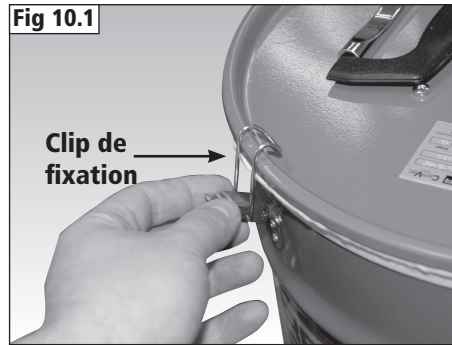
Pour accéder aux filtres, enlevez la tête de l'aspirateur. Les modèles **CGV286**, **CGV286-3-WALL** et **CGV336** possèdent un clip de fixation. Enlevez les 3 clips, **Fig. 10.1** et enlevez la tête en utilisant les deux poignées, **Fig. 10.3**.

Les modèles **CGV386** et le **CGV486** possèdent une sangle de fixation pour maintenir la tête en place. Desserrez la sangle, **Fig. 10.2**, enlevez la sangle et enlevez la tête en utilisant les deux poignées, **Fig. 10.3**.

Tournez la tête de la machine en bas en remettez la sur le tambour, **Fig.10.4**.

## Entretien du moteur

Après 1000 heures de travail, les brosses en carbon doivent être remplacées. Pour accéder au moteur, enlevez les 4 boulons qui tiennent la tête en place, **Fig. 10.5** en utilisant un tournevis et un clé 8 mm.



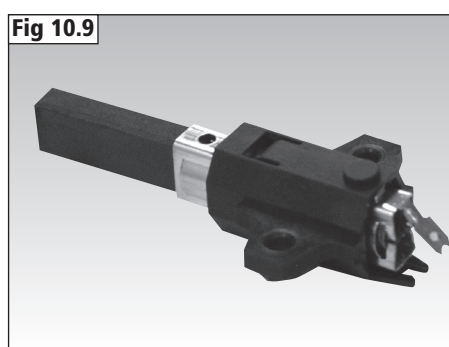
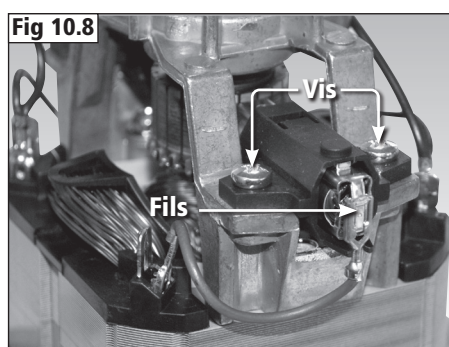
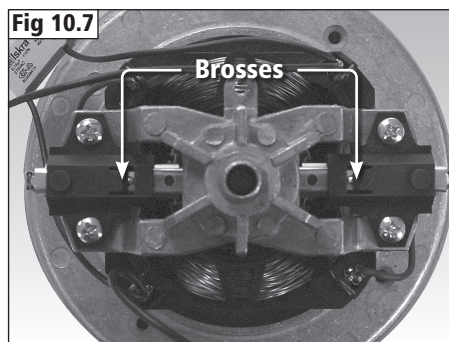
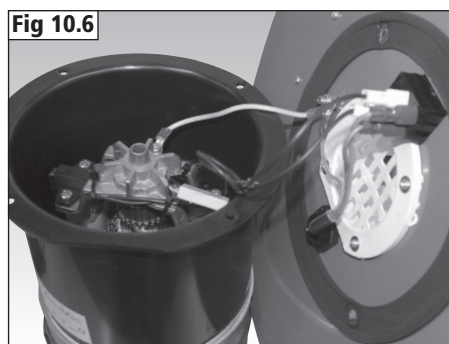
# 10. Entretien

Remettez la tête à côté du moteur, **Fig. 10.6**.

Les brosses en carbone se trouvent en face du moteur, **Fig. 10.7**. Remplacez les deux brosses en meme temps pour assurer une performance optimale.

Utilisez un tournevis pour enlever les deux vis qui tiennent les brosses en place, **Fig. 10.8**, débranchez-les soigneusement et enlevez les.

Remplacez-les par des nouvelles brosses, **Fig. 10.9**, et remontez le moteur et la tête de la machine.





# 11. Produits consommables

En plus des consommables, Record Power propose une large gamme de tuyaux, accessoires, et adaptateurs. Contacter votre fournisseur ou le vendeur local Record Power.

Pour l'aspirateur **CGV286-3 36 L** 1kW compacte et l'aspirateur **CGV286-4 36 L** 2 x 1kW compacte

**CVG170-100** Sac de filtre en tissu

**CVG170-101** Pack de sacs de filtres en papier

**CVG260-100** Sangle en caoutchouc

**CVA286-20-101** 36/55/150L Tambour sac de filtre en tissu

Pour l'aspirateur mural **CGV286-3-WALL** 150 L 2 x 1kW compacte

**CVG170-100** Sac de filtre en tissu

**CVG170-101** Pack de sacs de filtres en papier

**CVG260-100** Sangle en caoutchouc

**CVA286-20-101** 36/55/150L Tambour sac de filtre en tissu

**CVG170-102** Sac poubelle

Pour l'aspirateur moyen **CGV336-3 55 L** 1kW et l'aspirateur moyen **CGV336-4 55 L** 2 x 1kW

**CVG170-100** Sac de filtre en tissu

**CVG170-101** Pack de sacs de filtres en papier

**CVG260-100** Sangle en caoutchouc

**CVA286-20-101** 36/55/150L Tambour sac de filtre en tissu

Pour l'aspirateur **CGV386-5 90 L** 2 x 1kW grand et l'aspirateur **CGV386-6 90 L** 3 x 1kW grand

**CVG170-100** Sac de filtre en tissu

**CVG170-101** Pack de sacs de filtres en papier

**CVG260-100** Sangle en caoutchouc

**CVA236-20-101** 36/55/150L Tambour sac de filtre en tissu

Pour l'aspirateur **CGV486-6 200 L** 3 x 1kW usage intensif

**CVG170-100** Sac de filtre en tissu

**CVG170-101** Pack de sacs de filtres en papier

**CVG260-100** Sangle en caoutchouc

**CVA486-20-101** 36/55/150L Tambour sac de filtre en tissu



**CVG170-100**



**CVG260-100**



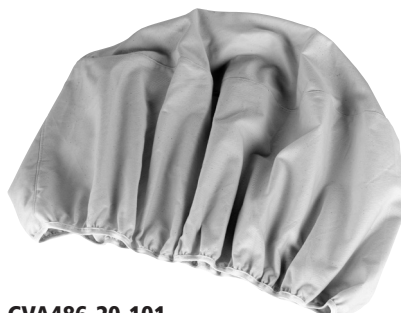
**CVG170-101**



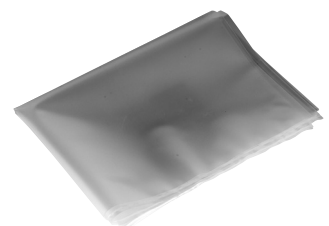
**CVA286-20-101**



**CVA386-20-101**



**CVA486-20-101**



**CVG170-102**

# 12. Aspiration des poussières

## L'importance de l'aspiration de la poussière

Une aspirateur adapté est nécessaire afin d'éviter des gros problèmes de santé liés à la poussière de bois. Il est également nécessaire de vérifier si la machine fonctionne bien. Des poussières de bois peuvent être extrêmement dangereuses et toxiques. Il est également recommandé d'utiliser des extractions de poussières en plus de l'aspirateur.

## Les extractions de poussières Record Power

Ci-dessous vous trouvez une liste avec la gamme de Record Power. Renseignez-vous auprès de votre vendeur.

### CGV286 CamVac Aspiration compact série CamVac

Capacité 36 litres, 1 kW simple ou double moteur, filtration 0,5 microns. Tuyau inclu.

### CGV286-3-WALL Extractor Aspiration mural série CamVac

Capacité 150 litres, double moteur, filtration 0,5 microns. Tuyau inclu.

### CGV336 Aspiration mural moyen série CamVac

55 litres, 1 kW simple ou double moteur, filtration 0,5 microns. Tuyau inclu.

### CGV386 Aspiration mural large série CamVac

90 litres, 1 kW simple ou double moteur, filtration 0,5 microns. Tuyau inclu.

### CGV486 Aspiration mural toute épreuve série CamVac

200 litres, 1 kW triple moteur, filtration 0,5 microns. Tuyau inclu.

### AC400 Filtre à air avec télécommandé, 3 vitesses et temps de retard

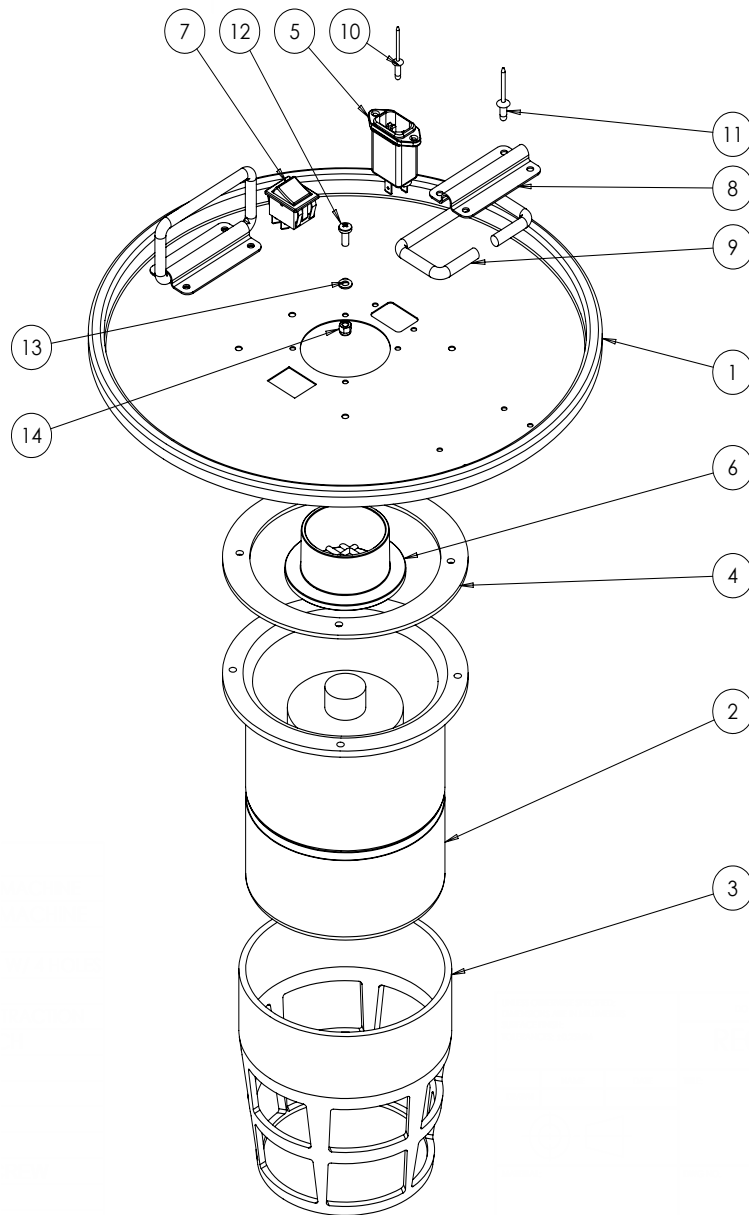
Aspire de la poussière aérienne, filtration 1 micron.

	Scies à ruban	Scies circulaires	Raboteuses-dégauchisseuses	Tours à bois	Ponceuses	Système d'aspiration de poussière	Filtre à air
CGV286	✓	✓	✓	✓	✓		
CGV286-3-WALL	✓	✓	✓	✓	✓	✓	
CGV336	✓	✓	✓	✓	✓		
CGV386	✓	✓	✓	✓	✓	✓	
CGV486	✓	✓	✓	✓	✓	✓	
AC400							✓



# 13. Liste et schéma des pièces

CGV286-1-LID  
CGV336-1-LID



## Pièce N° de description

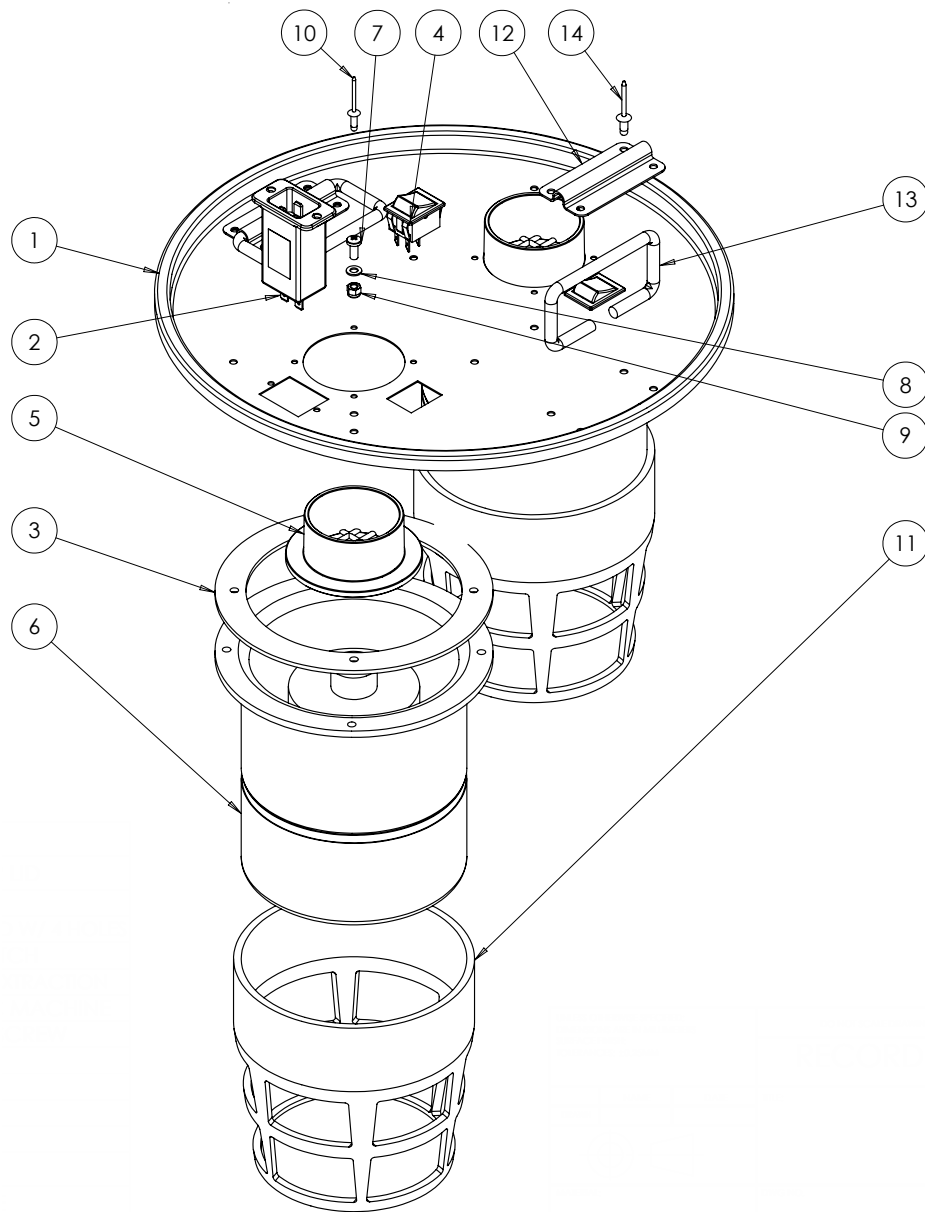
Pièce N°	Description
1	SA0137 Couvrecl de moteur simple pour machine CGV286/336
2	CVG180-100RET Ensemble moteur pour machine CamVac
3	CVG310-100 Cage de filtre
4	CVG320-102 Joint trimseal 3 mm 1800.D X 140l.D W/ 4 trous
5	99249 Filtre CEM (C14 IEC)
6	CVG220-102 Bride grillagée pour l'aspirateur CamVac
7	CBKS Interrupteur à bascule éclairé
8	CVG200-102 Plaque plate 286/336
9	CVG200-101 Couvercle et poignée du tambour
10	CVG240-103 Rivet 4 mm X 10 mm
11	CVG240-104 Rivet de 4,8 mm X 12 mm
12	CVG160-108B Vis à tête cylindrique pozi M5 x 12 mm
13	CVG280-102 Rondelle de 5 mm
14	CVG130-106 Écrou nylock M5

## Quantité

1
1
1
1
1
1
1
2
2
4
8
4
4
4

# 13. Liste et schéma des pièces

CGV286-2-LID  
CGV336-2-LID

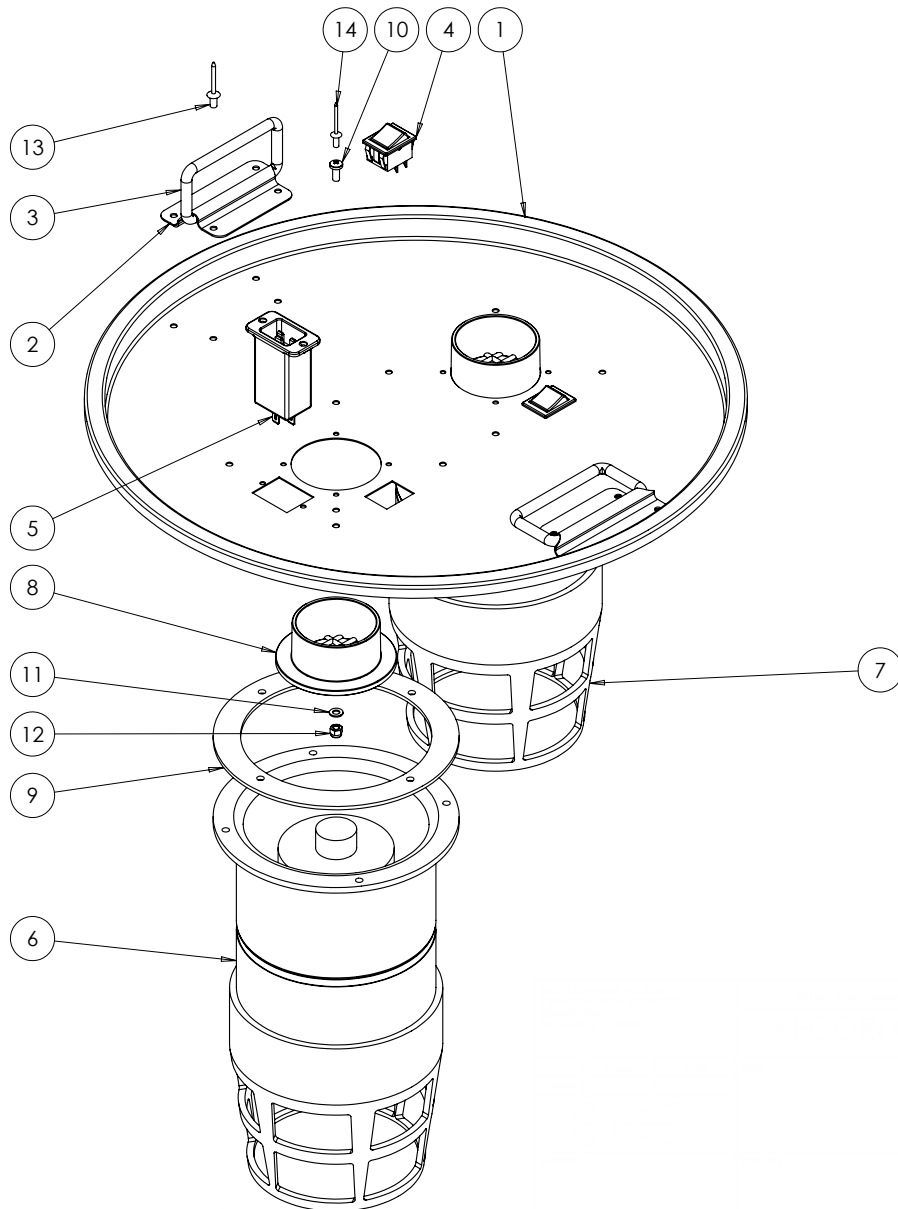


## Pièce N° de description

Pièce N°	Description	Quantité
1	SA0138 Couvercle du moteur double CGV286/336	1
2	99250 Filtre CEM (C20 IEC)	1
3	CVG320-102 Joint d'étanchéité de 3 mm 1800.D X 140I.D avec 4 trous	2
4	CBKS Interrupteur à bascule éclairé	2
5	CVG220-102 Bride grillagée pour l'aspiration des poussières CamVac	2
6	CVG180-100RET Ensemble moteur pour machine CamVac	2
7	CVG160-108B Vis à tête cylindrique pozi M5 x 12 mm	8
8	CVG280-102 Rondelle de 5 mm	8
9	CVG130-106 Écrou nylock M5	8
10	CVG240-103 Rivet 4 mm x 10 mm	8
11	CVG310-100 Cage de filtre	2
12	CVG200-102 Plaque plate 286/336	2
13	CVG200-101 Couvercle et poignée du tambour	2
14	CVG240-104 Rivet 4,8 mm X 12 mm	8

# 13. Liste et schéma des pièces

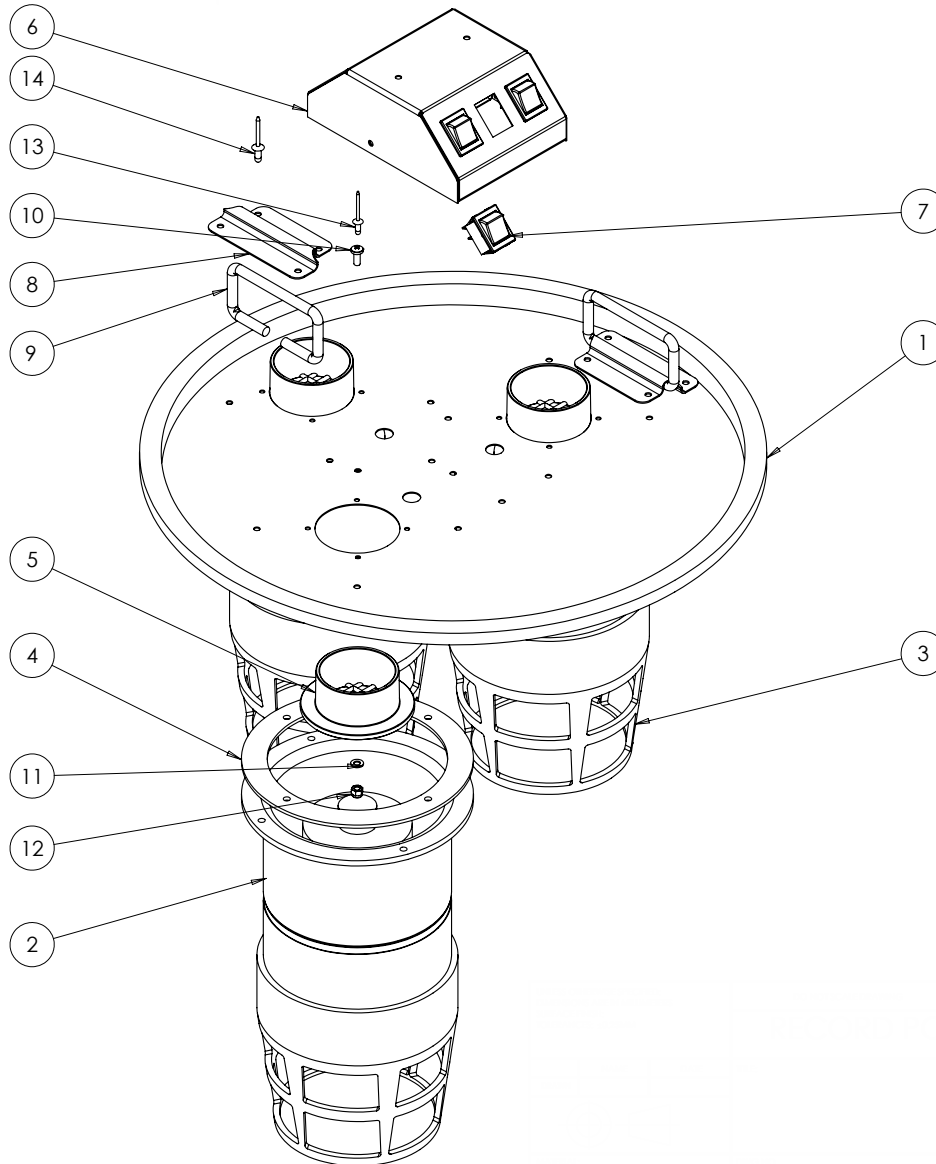
CGV386-5-LID



Pièce	N° de description	Quantité
1	SA0078 Moteur jumelé 386 couvercle	1
2	CVG200-102 Plaque plate 386	2
3	CVG200-101 Couvercle et poignée de tambour	2
4	CBKS Interrupteur à bascule éclairé	2
5	99250 Filtre CEM (C20 IEC)	1
6	CVG180-100RET Ensemble moteur pour machine CamVac	2
7	CVG310-100 Cage de filtre	2
8	CVG220-102 Bride grillagée pour l'aspiration des poussières CamVac	2
9	CVG320-102 Joint trimseal de 3 mm 1800.D x 1.40l.D avec 4 trous	2
10	CVG160-108B Vis à tête cylindrique pozi M5 x 12 mm	8
11	CVG280-102 Rondelle de 5 mm	8
12	CVG130-106 Écrou nylon M5	8
13	CVG240-104 rivet 4,8 mm x 12 mm	8
14	CVG240-103 rivet 4 mm x 10 mm	8

# 13. Liste et schéma des pièces

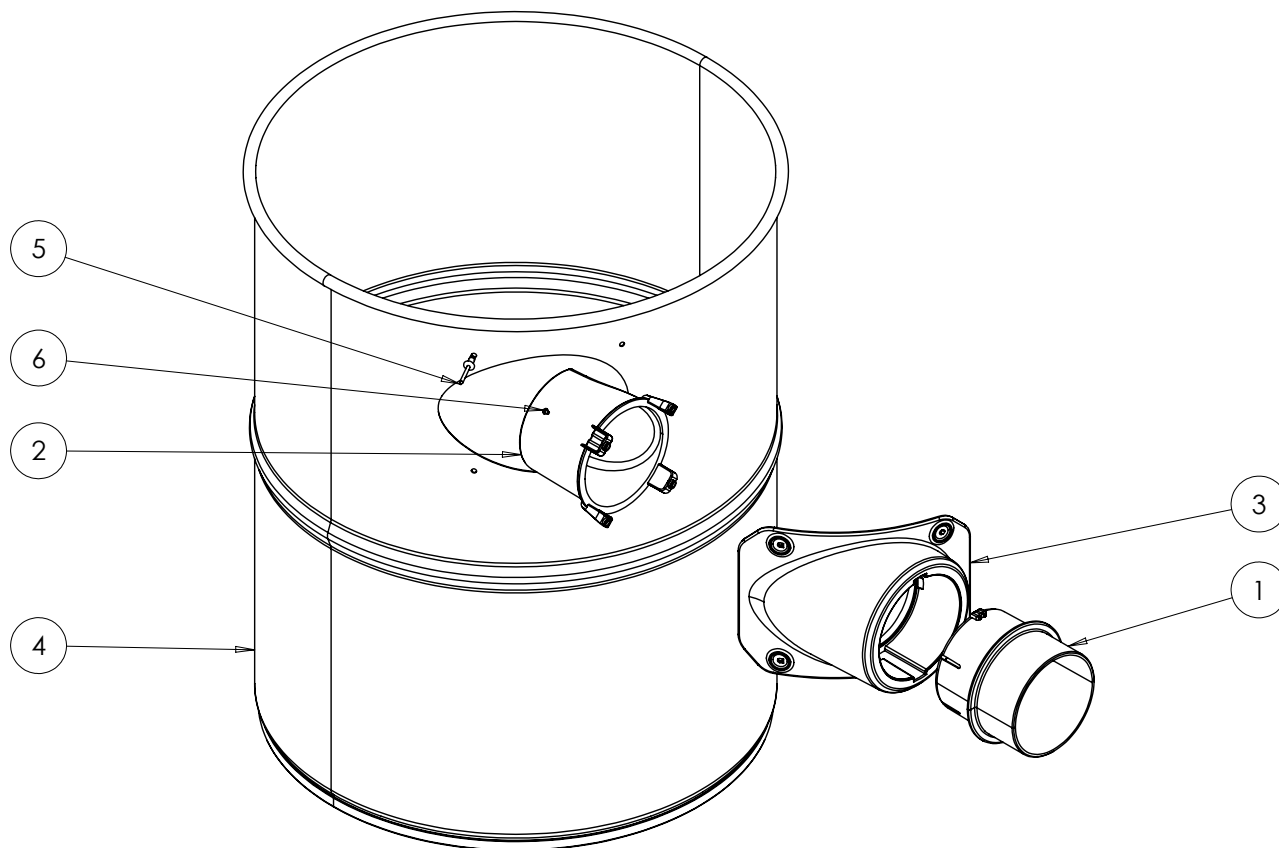
CGV386-6-LID  
CGV486-6-LID



Pièce	N° de description	Quantité
1	SA0140 Couvercle (CGV386-6 seulement)	1
1	SA0140 Couvercle (CGV486-6 seulement)	1
2	CVG180-100RET Ensemble moteur CamVac	3
3	CVG310-100 Cage de filtre	3
4	CVG320-102 Joint trimseal 3 mm 1800.D X 140l.D W/ 4 trous	3
5	CVG220-102 Bride en maille pour l'aspirateur CamVac	3
6	CGV386/CGV486 - 6 boîtier d'interrupteurs	1
7	CBKS Interrupteur à bascule éclairé	3
8	CVG200-103 Plaque de poignée plate	2
9	CVG200-101 Couvercle et poignée du tambour	2
10	CVG160-108B Vis à tête cylindrique pozi M5 x 12 mm	12
11	CVG280-102 Rondelle de 5 mm	12
12	CVG130-106 Écrou en nylon M5	12
13	CVG240-103 Rivet 4 mm x 10 mm	12
14	CVG240-104 Rivet 4. 8 mm x 12 mm rivet	8

# 13. Liste et schéma des pièces

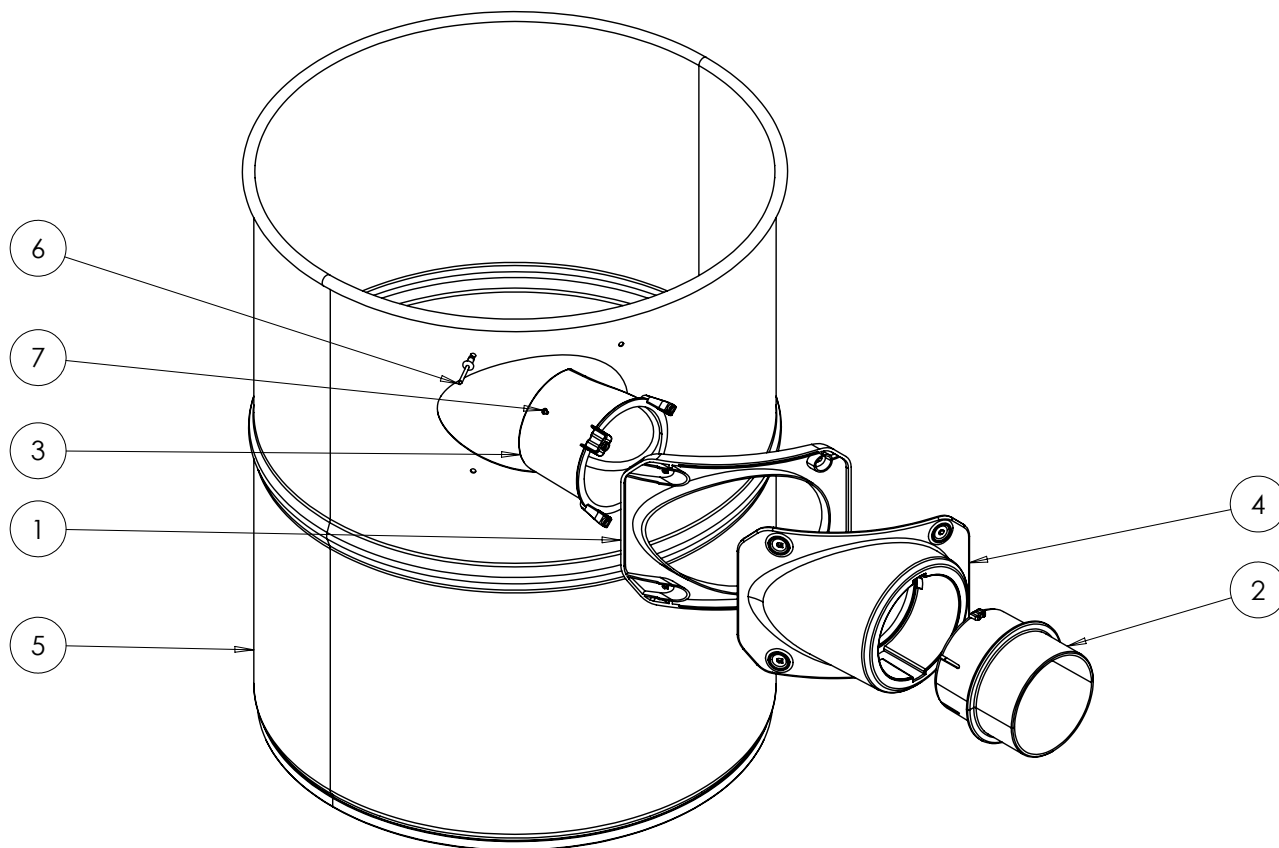
286 / 336 DRUM



Pièce	N° de description	Quantité
1	105100 Raccord baïonnette	1
2	FSW6135 Échappement d'entrée	1
3	FSW6133 Corps d'entrée	1
4	Tambour	1
5	99299 Rivet de bride large 4 mm x 20 mm	1
6	99300 Plastech 30 3,5 x 20	1

# 13. Liste et schéma des pièces

386 DRUM



## Pièce N° de description

1	FSW6215	Plaque d'adaptation 386
2	105100	Raccord baïonnette
3	FSW6135	Échappement d'entrée
4	FSW6133	Corps d'entrée
5		Tambour
6	99299	Rivet de bride large 4 mm x 20 mm
7	99300	Plastech 30 3,5 x 20

## Quantité

1  
1  
1  
1  
1  
1  
1

# 14. Branchement et câblage

Les machines fournies pour être utilisées en Grande-Bretagne sont livrées avec une prise à 3 broches conformément à BS1363, livrées avec un fusille conformément à BS1362 et appropriées à un usage courant.  
Les machines fournies pour être utilisées au sein de l'Union Européenne sont livrées avec une prise SHUKO à 2 broches conformément à la norme CEE7/7.

Les machines fournies pour être utilisées en Australie et Nouvelle Zélande sont livrées avec une prise à 3 broches conformément à la norme AS/NZS3112

Dans tous les cas, si le cordon d'alimentation est endommagé, il doit être remplacé par un cordon ou un ensemble spécial disponible auprès du fabricant ou de son agent de service.

230 V (monophasé)

Marron: Phase (L)  
Bleu: Neutre (N)  
Vert et Jaune: Terre (E)

Le fil marron doit toujours être branché à la borne marquée (L) ou colorié en rouge.

Le fil bleu doit toujours être branché à la borne marquée (N) ou colorié en noir.

Le fil vert et jaune doivent toujours être branchés à la borne marquée (E) ou symbole de la Terre



ou coloriés vert et jaune.

Il est important que la machine est reliée à la terre. Certaine machines sont équipées d'un étiquette et d'un logo.



En cas où il n'y a pas de terre dans le circuit.

Dans le cas d'une prise BS1363 assurez vous toujours qu'elle est livrée avec le fusible conforme à la norme BS1362 et appropriée à l'usage de la

machine. Si vous remplacez le fusible d'origine, utilisez toujours un fusible d'intensité identique. Ne placez jamais un fusible d'intensité identique supérieure que l'original. Ne modifiez jamais le fusible ou le porte fusible pour pouvoir utiliser un fusible de taille ou de puissance différente.

Quand l'usage courant de la machine cédée 137 à 230V, ou si la machine doit fonctionner avec 400V triphasé, utilisez le connecteur conforme à la norme BS4343 (CEE17/EC60309).

Les machines en 230V seront livrées avec une prise à 3 broches. Le câblage pour ce type de prise est le même que ci dessus.

Les machines en 400V triphasé seront livrées avec une prise rouge à 4 ou 5 broches. Le câblage pour ce type de prise est énoncé ci dessous:

400 V (triphasé)

Marron: Phase (L1)  
Noir: phase (L2)  
Gris: Phase (L3)  
Bleu: Neutre (N)  
Vert et Jaune: Terre (E)

Le fil marron doit toujours être branché sur la broche marquée L1

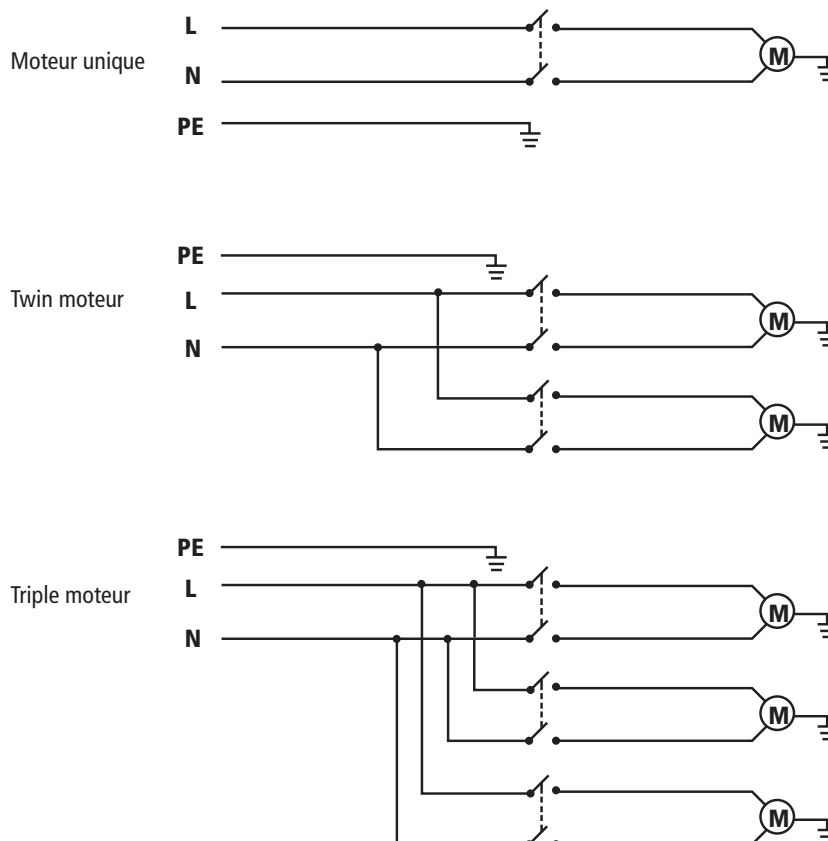
Le fil noir doit toujours être branché sur la broche marquée L2

Le fil gris doit toujours être branché sur la broche marquée L3

Le fil bleu doit toujours être branché sur la broche marquée N ou colorié en noir

Le fil bleu et jaune dit toujours être branché sur la broche E ou symbole de terre

En cas de doute à propos du branchement électrique, faites appel à un électricien qualifié.





# Déclaration de conformité EC

**N° de certification : EC / CamVac / 3**

**RECORD POWER LIMITED,**

Centenary House, 11 Midland Way, Barlborough Links, Chesterfield, Derbyshire S43 4XA

Déclare que la machine décrite:-

1. Typ: **Aspiration des poussières haute filtration**

2. N° de modèle: **CGV286-3, CGV286-4, CGV336-3, CGV336-4, CGV386-5, CGV386-6, CGV286-3-WALL, CGV486-6**


3. N° de série: **Échantillon d'ingénierie**

Conforme aux directives suivantes:

DIRECTIVE MACHINE:	2006/42/EC
DIRECTIVES CE SUPPLÉMENTAIRES UTILISÉES:	EMC Directive 2014/30/EU
NORMES HARMONISÉES UTILISÉES:	BS EN 55014-1:2006+A2:2011



et conforme avec l'exemple de la machine pour laquelle L'attestation d'examen de type n° **CGV286-2 221118, CGV336-3 191118** and **CGV386-6 191118** a été délivré par DEM Manufacturing Deltron, Emcon House, Hargreaves Way, Sawcliffe Industrial Park, Scunthorpe, North Lincolnshire DN15 8RF.

Signé.......... Daté: **06/05/2021** – Chesterfield / U.K.  
Andrew Greensted  
Directeur général

Dossier technique tenu par Andrew Greensted, Record Power Ltd, Centenary House, 11 Midland Way, Barlborough Links, Chesterfield, Derbyshire, S43 4XA, Royaume-Uni

<table border="1"><tr><td>EC</td><td>REP</td></tr></table>	EC	REP	Record Power B.V., Verlengde Poolseweg 16, 4818 CL BREDA, Netherlands, Tel: +31 76 52 44 766
EC	REP		





# RECORD POWER

ESTABLISHED 1909®

Record Power Ltd, Centenary House, 11 Midland Way, Barlborough Links, Chesterfield, Derbyshire S43 4XA  
Tel: +44 (0) 1246 571 020 Fax: +44 (0) 1246 571 030 [www.recordpower.co.uk](http://www.recordpower.co.uk)

**recordpower.info**

Made in the UK / Hergestellt in UK / Fabriqué en Royaume-Uni